



## Pull-wire switch

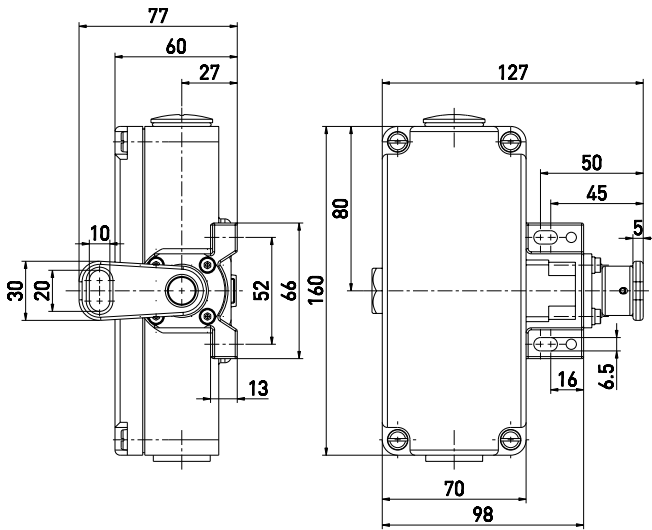
### ZS 75 S 10/1S

Material number: 1048338 (Material number old: 75130001)

#### Features/Options

- Metal enclosure
- 2 contacts
- Wire length up to 2 x 100 m
- Without mechanical latching
- Wire pull and breakage detection

#### Dimensions



#### Technical data

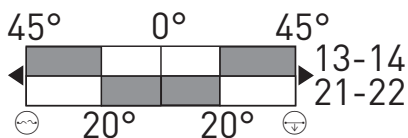
Standards	EN ISO 13849-1; EN 60947-5-1
Enclosure	aluminium die-cast, enamel finish
Cover	aluminium die-cast, enamel finish
Degree of protection	IP 65 to IEC/EN 60529
Contact material	silver
Switching elements	change-over contact with double break
Switching system	snap action, positive break NC contacts ⊖
Connection	screw connection terminals
Cable cross-section	max. 2.5 mm <sup>2</sup> (incl. conductor ferrules)
Cable entry	2 x M25 x 1.5
B <sub>10d</sub> (10 % Load)	2 million
T <sub>M</sub>	max. 20 years
U <sub>imp</sub>	6 kV
U <sub>i</sub>	400 V
I <sub>the</sub>	6 A
Utilisation category	AC-15
I <sub>e</sub> /U <sub>e</sub>	6 A/400 VAC
Max. fuse rating	6 A gG/gN fuse
Ambient temperature	-25 °C ... +70 °C
Mechanical life	> 1 million operations
Max. wire length	2 x 100 m
Features	wire pull and breakage detection
Approvals	

Weight

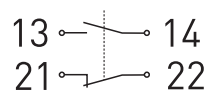
1000 g

Errors and omissions excepted.

#### Switching diagram



#### Contact diagram



#### Note:

At 4 m distance intermediate wire supports are required. Two compensation springs type ZS 73/75 S must be installed, see accessories.