



Pull-wire switch

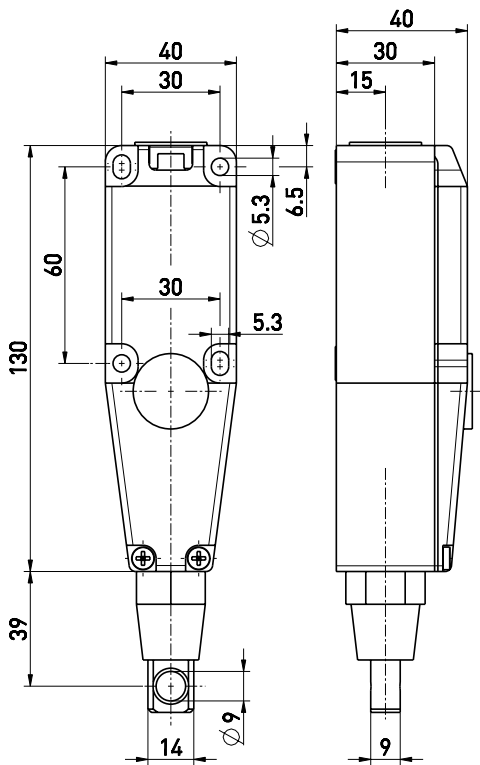
ZS 70 Z 10/1S

Material number: 1182884 (Material number old: 70141002)

Features/Options

- Thermoplastic enclosure
- Wall mounting
- Snap action: 2 contacts
- Pull-wire function

Dimensions

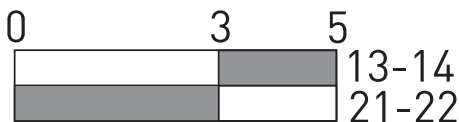


Technical data

Standards	EN 60947-5-1
Design	Mounting details to EN 50041
Enclosure	glass-fibre reinforced, shock-proof thermoplastic, ultramid
Cover	glass-fibre reinforced, shock-proof thermoplastic, ultramid
Degree of protection	IP 67 to IEC/EN 60529
Contact material	silver
Switching elements	change-over contact with double break, galvanically separated contact bridges
Switching system	snap action, positive break NC contacts ⊖
Connection	screw connection terminals
Cable cross-section	max. 2.5 mm ² (incl. conductor ferrules)
Cable entry	1 x M20 x 1.5
U _{imp}	6 kV
U _i	400 V
I _{the}	6 A
Utilisation category	AC-15
I _e /U _e	6 A/400 VAC
Max. fuse rating	6 A gG/gN fuse
Ambient temperature	-10 °C ... +70 °C
Mechanical life	> 1 million operations
Operation cycles	1800/h
Actuating force	max. 85 N
Features	pull-wire function
Approvals	
Weight	240 g

Errors and omissions excepted.

Switching diagram



Contact diagram

