



Pull-wire switch

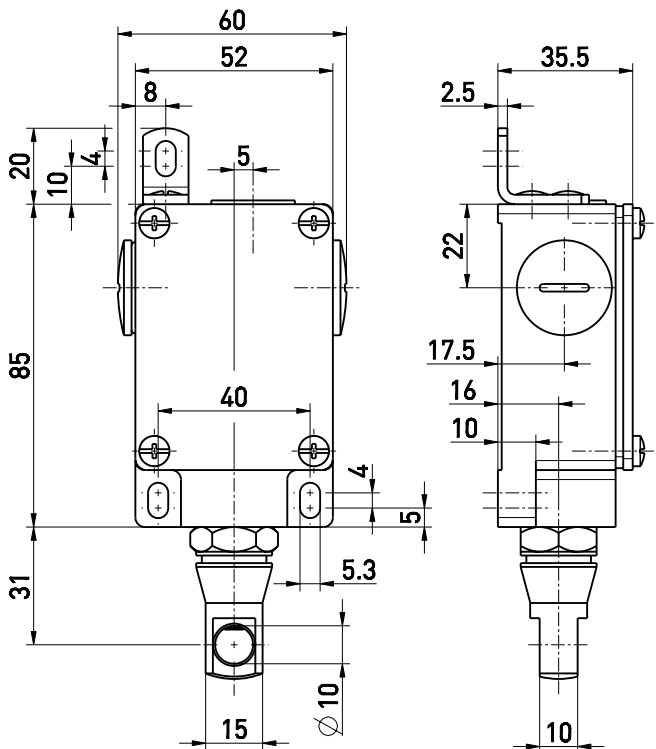
ES 61 Z 10/1S

Material number: 1047826 (Material number old: 61041001)

Features/Options

- Metal enclosure
- Version for wall mounting with mounting angle
- Slow action: 2 contacts
- Pull-wire function

Dimensions

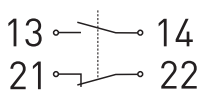


Technical data

Standards	EN 60947-5-1
Enclosure	aluminium die-cast, powder-coated steel, powder-coated
Cover	IP 65 to IEC/EN 60529
Degree of protection	IP 65 to IEC/EN 60529
Contact material	silver
Switching elements	change-over contact with double break, galvanically separated contact bridges
Switching system	slow action
Connection	screw connection terminals
Cable cross-section	max. 2.5 mm ² (incl. conductor ferrules)
Cable entry	3 x M20 x 1.5
U _{imp}	6 kV
U _i	400 V
I _{the}	10 A
Utilisation category	AC-15
I _e /U _e	16 A/400 VAC
Max. fuse rating	16 A gG/gN fuse
Ambient temperature	-20 °C ... +80 °C
Mechanical life	> 1 million operations
Operation cycles	3600/h
Actuating force	max. 50 N
Features	pull-wire function
Approvals	
Weight	340 g

Errors and omissions excepted.

Contact diagram



Switching diagram

