



## Pull-wire switch

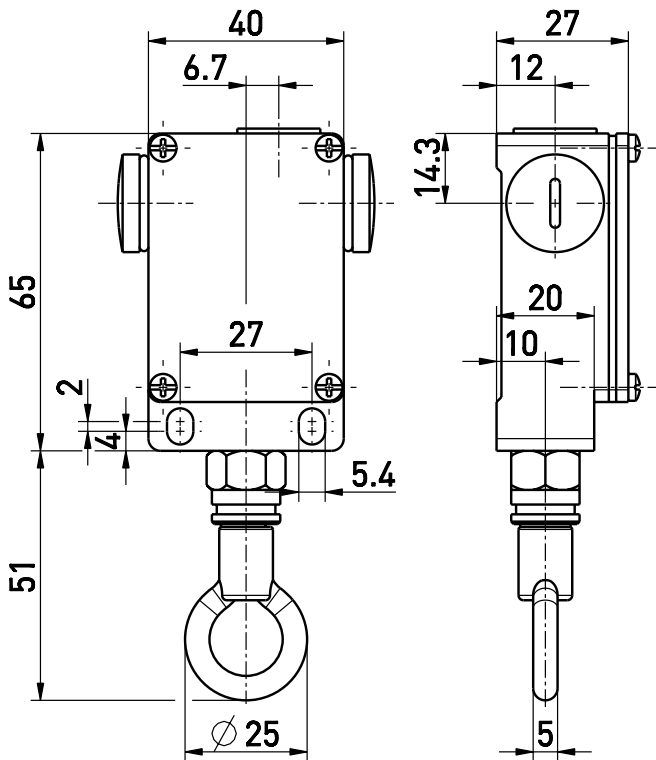
### EM 41 Z 10/1S

Material number: 1046487 (Material number old: 41141001)

#### Features/Options

- Metal enclosure
- Wall mounting
- Snap action: 2 contacts
- Pull-wire function

#### Dimensions

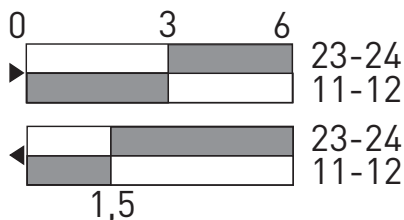


#### Technical data

Standards	EN 60947-5-1
Enclosure	aluminium die-cast, powder-coated steel, powder-coated
Cover	steel, powder-coated
Degree of protection	IP 65 to IEC/EN 60529
Contact material	silver
Switching elements	change-over contact with double break
Switching system	snap action
Connection	screw connection terminals
Cable cross-section	max. 2.5 mm <sup>2</sup> (incl. conductor ferrules)
Cable entry	3 x M16 x 1.5
U <sub>imp</sub>	4 kV
U <sub>i</sub>	400 V
I <sub>the</sub>	10 A
Utilisation category	AC-15
I <sub>e</sub> /U <sub>e</sub>	6 A/400 VAC
Max. fuse rating	6 A gG/gN fuse
Ambient temperature	-20 °C ... +80 °C
Mechanical life	> 1 million operations
Operation cycles	3600/h
Actuating force	max. 45 N
Features	pull-wire function
Approvals	
Weight	166 g

Errors and omissions excepted.

#### Switching diagram



#### Contact diagram

