



Pull-wire switch

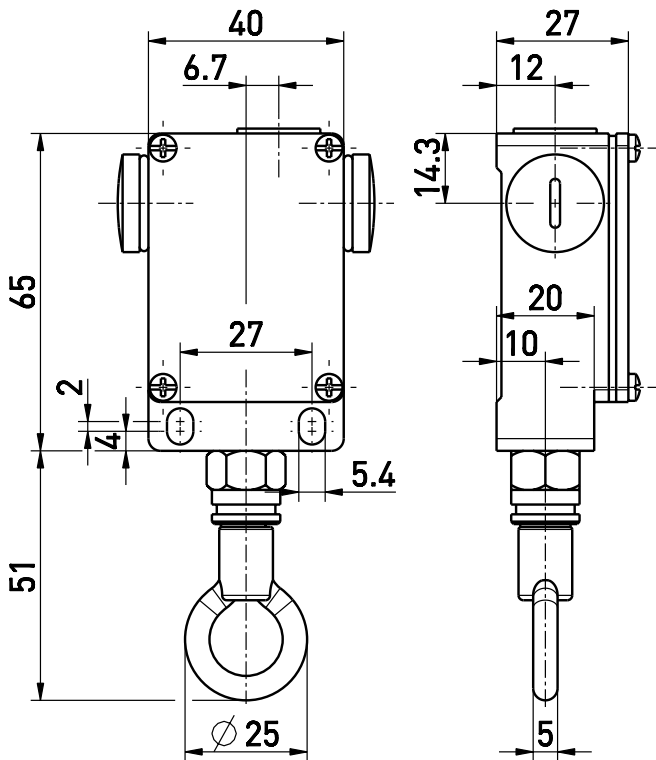
ES 41 Z 10/1S

Material number: 1046348 (Material number old: 41041001)

Features/Options

- Metal enclosure
- Wall mounting
- Slow action: 2 contacts
- Pull-wire function

Dimensions

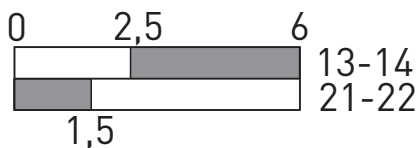


Technical data

Standards	EN 60947-5-1
Enclosure	aluminium die-cast, powder-coated steel, powder-coated
Cover	steel, powder-coated
Degree of protection	IP 65 to IEC/EN 60529
Contact material	silver
Switching elements	change-over contact with double break
Switching system	slow action
Connection	screw connection terminals
Cable cross-section	max. 2.5 mm ² (incl. conductor ferrules)
Cable entry	3 x M16 x 1.5
U _{imp}	4 kV
U _i	400 V
I _{the}	10 A
Utilisation category	AC-15
I _e /U _e	6 A/400 VAC
Max. fuse rating	6 A gG/gN fuse
Ambient temperature	-20 °C ... +80 °C
Mechanical life	> 1 million operations
Operation cycles	3600/h
Actuating force	max. 45 N
Features	pull-wire function
Approvals	
Weight	166 g

Errors and omissions excepted.

Switching diagram



Contact diagram

