



Pull-wire switch

ES 51 Z 10/1S

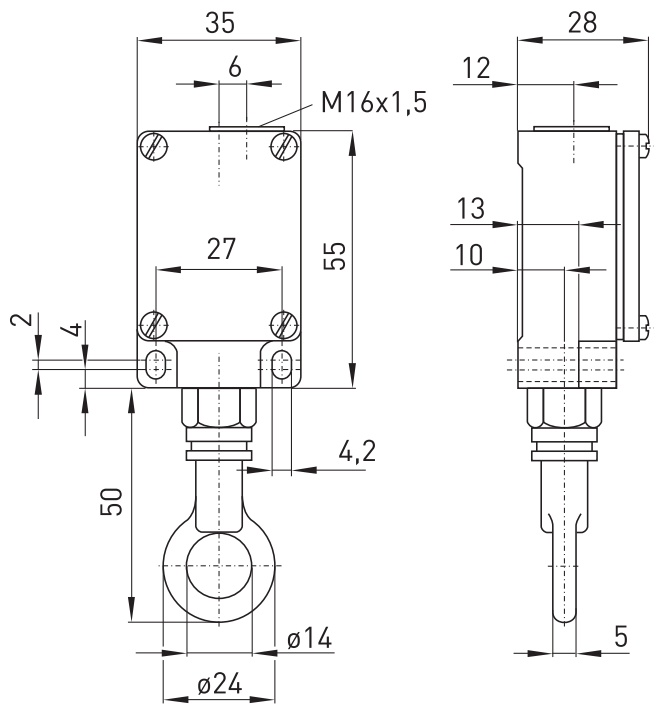
Material number: 1047044 (Material number old: 51041001)

Features/Options

- Metal enclosure
- Wall mounting
- Slow action: 2 contacts

- Small design
- Pull-wire function

Dimensions

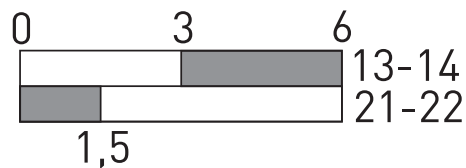


Technical data

Standards	EN 60947-5-1
Enclosure	aluminium die-cast, powder-coated
Cover	steel, powder-coated
Degree of protection	IP 65 to IEC/EN 60529
Contact material	silver
Switching elements	change-over contact with double break, galvanically separated contact bridges
Switching system	slow action
Connection	screw connection terminals
Cable cross-section	max. 2.5 mm ² (incl. conductor ferrules)
Cable entry	1 x M16 x 1.5
U_{imp}	4 kV
U_i	400 V
I_{the}	4 A
Utilisation category	AC-15
I_e/U_e	4 A/gG/gN VAC
Max. fuse rating	4 A gG/gN fuse
Ambient temperature	-20 °C ... +80 °C
Mechanical life	> 1 million operations
Operation cycles	3600/h
Actuating force	max. 40 N
Features	pull-wire function
Approvals	
Weight	138 g

Errors and omissions excepted.

Switching diagram



Contact diagram

