



Pull-wire switch

ES 95 Z 10/1S

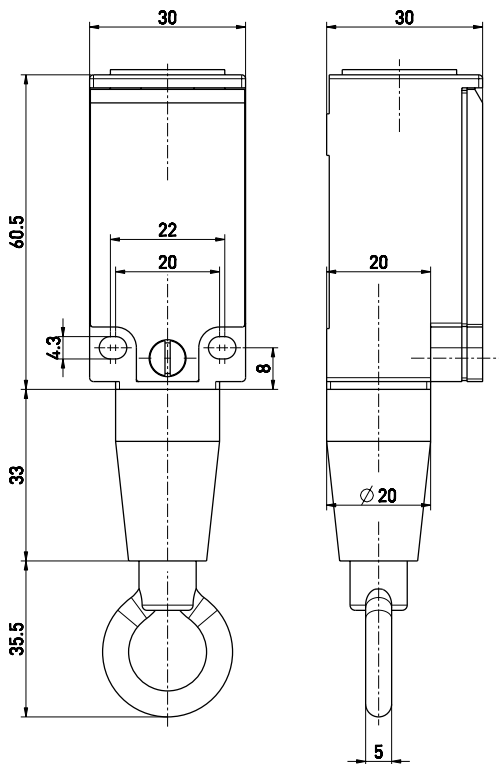
Material number: 1179354 (Material number old: 95041001)

Features/Options

- Thermoplastic enclosure
- Wall mounting
- Slow action: 2 contacts

- Mounting details to EN 50047
- Horizontally slotted mounting holes
- Double insulated

Dimensions

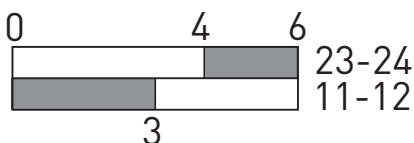


Technical data

Standards	EN 60947-5-1
Enclosure	glass-fibre reinforced, shock-proof thermoplastic, self-extinguishing UL 94-V0
Degree of protection	IP 67 to IEC/EN 60529
Contact material	silver
Switching elements	change-over contact with double break, galvanically separated contact bridges
Switching system	slow action, positive break NC contacts ⊖
Connection	screw connection terminals
Cable cross-section	max. 2.5 mm ² (incl. conductor ferrules)
Cable entry	1 x M20 x 1.5
U_{imp}	4 kV
U_i	400 V
I_{the}	6 A
Utilisation category	AC-15; DC-13
I_e/U_e	6 A/400 VAC; 0.25 A/230 VDC
Max. fuse rating	6 A gG/gN fuse
Mechanical life	> 1 million operations
Operation cycles	1800/h
Ambient temperature	-20 °C ... +80 °C
Contact opening	2 x 3.5 mm
Actuating force	20 N
Features	pull-wire function
Approvals	
Weight	130 g

Errors and omissions excepted.

Switching diagram



Contact diagram

