



Bezdrátové ovládací jednotky

RF BF 72 RT black push-button SW868

Číslo materiálu: 1224139 (Staré číslo materiálu: 69955601)

Vlastnosti/možnosti

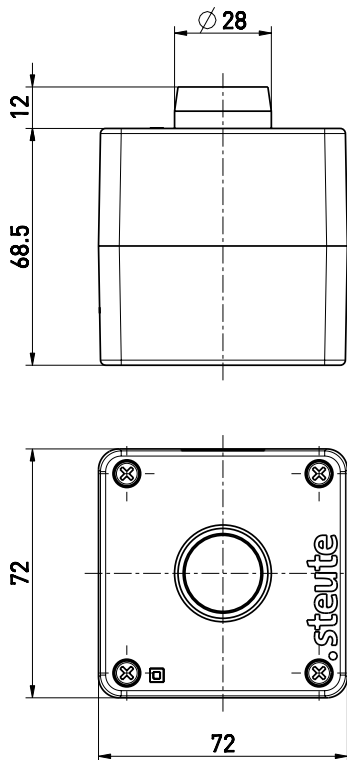
- Thermoplastic enclosure
- sWave® wireless technology
- No power supply, no wiring and pipe laying required
- Easy programming of receiver

- Output signal can be individually configured at the receiver
- Actuator: Black push-button RT
- Actuator made of plastic

Notes

- IP 67 for actuators with diaphragm
- With stainless steel actuator available on request

Rozměry



Technická data

Standards	EN 60947-5-1; EN 61000-6-2; EN 301 489-1; EN 301 489-3; EN 300 220-1, EN 300 220-2
Enclosure	Thermoplastic, Polyamid PA 66
Degree of protection	IP 65 to IEC/EN 60529
Protocol	sWave®
Ambient temperature	-20 °C ... +65 °C
Switching frequency	approx. 12000 telegrams at repetitions/h
Voltage supply	Electrodynamic energy generator
Frequency	868.3 MHz
Transmission power	< 25 mW
Data rate	66 kbps
Channel bandwidth	266 kHz
Sensing range	max. 450 m outside, max. 40 m inside
Mechanical life	> 1 million operations
Actuating time	min. 80 ms

Omyly a technické změny vyhrazeny.