



Wireless position switch

RF 10 H SW868

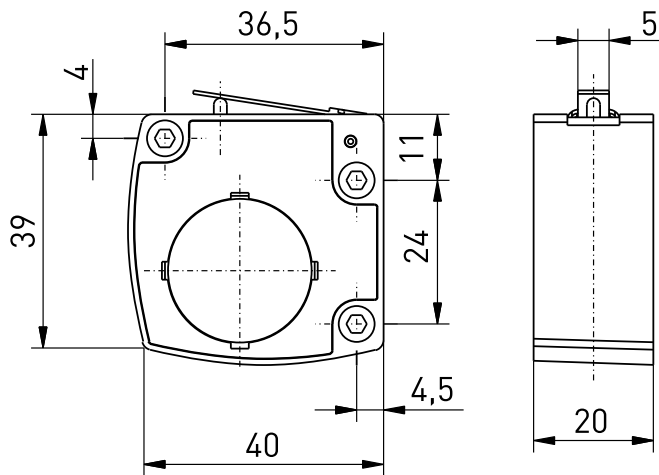
Material number: 1229535 (Material number old: 10120601)

Features/Options

- Thermoplastic enclosure
- sWave® wireless technology
- No wiring and pipe laying required

- Power supply by Lithium battery
- Easy programming of receiver
- Output signal can be individually configured at the receiver

Dimensions



Technical data

Standards

EN 60947-5-1; EN 61000-6-2, -6-3,
EN 61000-4-2, -4-20;
EN 301 489-1; EN 301 489-3;
EN 300 220-1; EN 300 220-2

Enclosure

Thermoplastic, Polyamid PA 66

Tightening torque

max. 0.5 ... 0.6 Nm

Degree of protection

IP 67 to IEC/EN 60529

Protocol

sWave®

Ambient temperature

-20 °C ... +65 °C

Operation cycles

approx. 12000 telegrams at
repetitions/h

Voltage supply

Lithium-battery CR 2032
(replaceable)

Frequency

868.3 MHz

Transmission power

< 25 mW

Data rate

66 kbps

Channel bandwidth

266 kHz

Sensing range

max. 400 m outside,
max. 50 m inside

Mechanical life

> 1 million operations

Battery life

> 800 000 operations

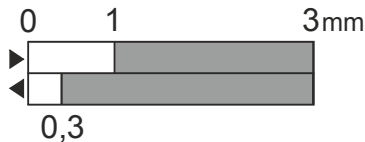
Actuating time

min. 80 ms

Note

no status signal available

Switching diagram



Errors and omissions excepted.