

## CONTACTLESS SAFETY SENSORS

### MAGNUS MG M 20

Magnetic Sensor.

Compact and robust thermoplastic enclosure (PBT). Diameter 30 mm. IP67 rating



#### Certifications:



#### Technical data:

Family	MAGNUS MG
Code	1291020
Connections	4 poles M8 connector
Degree of protection	IP 67
Operating temperature (°C)	From -25 to 75
Dimensions (mm)	M30 x 47
Connectable safety controllers	REER Mosaic/MGd1
Tamper protections	-
Contacts	2 N.O. contacts
Switching distance (mm)	4 ... 16 / 7 ... 20 (with magnet MG M M+)
Housing	Thermoplastic enclosure (PBT)

#### Accessories:

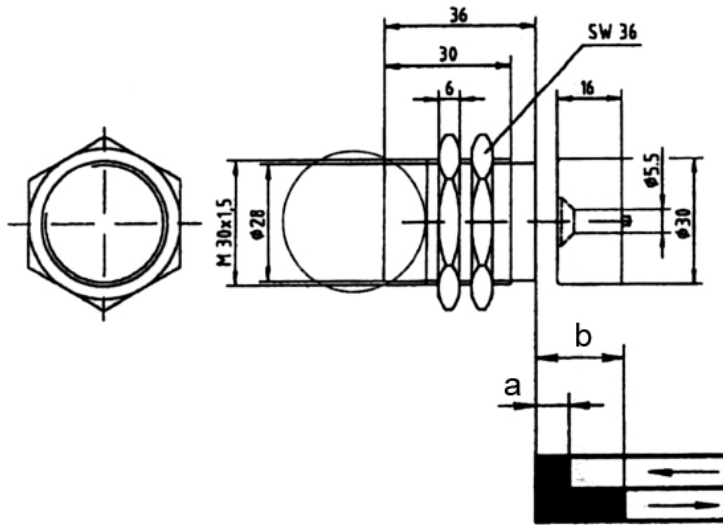
[CABLES C8 G3](#)  
[CABLES C8 G93](#)  
[CABLES C8 G5](#)  
[CABLES C8 G95](#)

#### Related products:

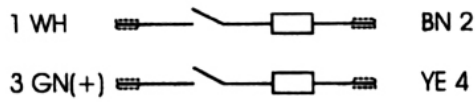
[MOSAIC M1](#)  
[MAGNUS MG d1](#)

See technical drawing in the next page.

Technical drawing:



Distanza operativa  
 Operating distance  
 Min. 0,5 mm  
 with + Magnet 3 mm



ON 4 mm (a)  
 With + Magnet 7 mm

OFF 16 mm (b)  
 With + Magnet 20 mm

