

Datasheet

Subject to technical alteration
Issue date: 21.03.2019 • A100

**» APPLICATION**

Surface mounted room sensor for temperature measuring, with set point and fan stage adjustment, manual override for room and office applications.

» TYPES AVAILABLE**Room sensor temperature – passive**

WRF04 <Sensor>

Room sensor temperature – active TRV 0..10 V | TRA 4..20 mA

WRF04 TRV MultiRange
WRF04 TRA MultiRange

Room sensor with LCD temperature – active TRV 0..10 V

WRF04 LCD TRV MultiRange

<sensor>: PT100/PT1000/Ni1000/Ni1000TK5000/LM235Z/NTC.../PTC... other sensors on request
MultiRange: Measuring ranges adjustable at the transducer

» SECURITY ADVICE – CAUTION

The installation and assembly of electrical equipment should only be performed by authorized personnel.

The product should only be used for the intended application. Unauthorised modifications are prohibited! The product must not be used in relation with any equipment that in case of a failure may threaten, directly or indirectly, human health or life or result in danger to human beings, animals or assets. Ensure all power is disconnected before installing. Do not connect to live/operating equipment.

Please comply with

- Local laws, health & safety regulations, technical standards and regulations
- Condition of the device at the time of installation, to ensure safe installation
- This data sheet and installation manual

» NOTES ON DISPOSAL



As a component of a large-scale fixed installation, Thermokon products are intended to be used permanently as part of a building or a structure at a pre-defined and dedicated location, hence the Waste Electrical and Electronic Act (WEEE) is not applicable. However, most of the products may contain valuable materials that should be recycled and not disposed of as domestic waste. Please note the relevant regulations for local disposal.

» REMARKS TO ROOM SENSORS

Location and Accuracy of Room Sensors

The room sensor should be mounted in a suitable location for measuring accurate room temperature. The accuracy of the temperature measurement also depends directly on the temperature dynamics of the wall. It is important, that the back plate is completely flush to the wall so that there is sufficient circulation of air through the vents in the cover, otherwise, deviations in temperature measurement will occur due to uncontrolled air circulation. The temperature sensor should not be covered by furniture or other objects. Mounting next to doors (due to draught) or windows (due to colder outside wall) should be avoided.

Surface and Flush Mounting

The measuring result is influenced by the thermal characteristics of the wall. A solid concrete wall responds to thermal fluctuations within a room in a much slower than a light-weight structure wall. Room temperature sensors installed in flush-mounted boxes have a longer response time to thermal variations. In extreme cases they detect the radiant heat of the wall even if the air temperature in the room is lower for example. The quicker the dynamics of the wall (temperature acceptance of the wall) or the longer the selected inquiry interval of the temperature sensor is the smaller the deviations limited in time are.

» BUILD-UP OF SELF-HEATING BY ELECTRICAL DISSIPATIVE POWER

Temperature sensors with electronic components always have a dissipative power, which affects the temperature measurement of the ambient air. The dissipation in active temperature sensors shows a linear increase with rising operating voltage. This dissipative power has to be considered when measuring temperature. In case of a fixed operating voltage ($\pm 0,2$ V) this is normally done by adding or reducing a constant offset value. As Thermokon transducers work with a variable operating voltage, only one operating voltage can be taken into consideration, for reasons of production engineering. Transducers 0..10 V / 4..20 mA have a standard setting at an operating voltage of 24 V =. That means, that at this voltage, the expected measuring error of the output signal will be the least. For other operating voltages, the offset error will be increased or lowered by a changing power loss of the sensor electronics. If a re-calibration should become necessary later directly on the sensor, this can be done by means of a trimming potentiometer on the sensor board.

Remark: Occurring draft leads to a better carrying-off of dissipative power at the sensor. Thus temporally limited fluctuations might occur upon temperature measurement.

» PRODUCT TESTING AND CERTIFICATION



Declaration of conformity

The declaration of conformity of the products can be found on our website <https://www.thermokon.de/>.

» TECHNICAL DATA

Measuring values	temperature	
Output voltage	TRV 1x 0..10 V, min. load 5 k Ω	
Output Amp	TRA 1x 4..20 mA, max. load 700 Ω	
Output passive	passive optional, PT100 PT100 1/3 DIN PT1000 PT1000 1/3 DIN Ni1000 Ni1000TK5000, NTC10k NTC 10k Precon NTC20k NTC1,8k, LM235Z DS18B20 1-wire	
Power supply	TRV typ. 0,4 W (24 V =) 0,8 VA (24 V ~) SELV	TRA max. 0,5 W (24 V =) SELV
Power consumption	TRV typ. 0,4 W (24 V =) 0,8 VA (24 V ~)	TRA max. 0,5 W / 24 V =
Measuring range temp.	passive depending on used sensor	
Output signal range *scaling analogue output	TRV TRA 0..+50 °C (default), selectable from 3 temperature ranges -50..+50 0..+50 -15..+35 °C adjustable at the transducer	
Operating temperature range	max. permissible operating temperature -35..+70 °C	
Accuracy temperature	TRV TRA $\pm 1\%$ of measuring range (typ. at 21 °C)	passive typ. $\pm 0,3$ K (typ. at 21 °C), depending on used sensor
Sensor	passive 2-wire (standard), 3 wire or 4-wire	
Display *type-dependent	LCD 29x12 mm, monochrome, (optional)	
Enclosure	PC, pure white	
Protection	IP30 according to EN 60529	
Cable entry	breaking points top/bottom, rear entry	
Connection electrical	terminal block, max. 1,5 mm ²	
Ambient condition	max. 85% rH non-condensing	
Weight	50 g	
Mounting	flush mounted with standard EU box ($\varnothing=60$ mm)	
Notes	custom paint available on request, other sensors on request, multi-conductor connection on request, enclosure stainless steel available (see options)	

» MOUNTING ADVICES

Make sure that the device is power-off, if you install it!

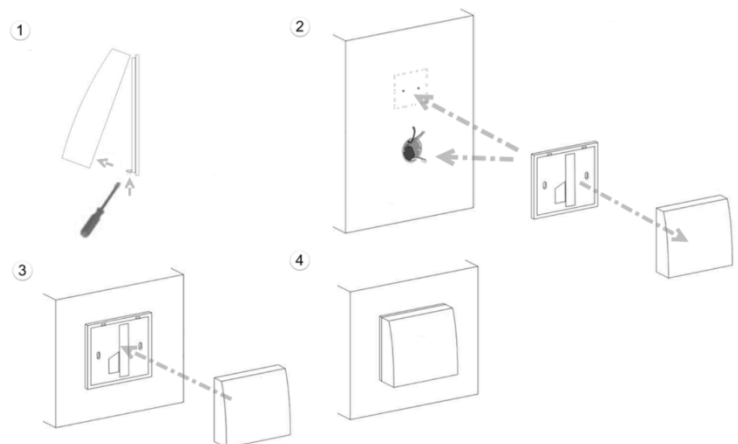
The device can be installed on a smooth wall surface or a flush box. It should be selected a representative location for the measuring medias. The use of deep installation boxes is recommended due to the increased storage capacity for the cabling.

Sunlight and drafts e.g. in conduit must be avoided so that the measuring result is not distorted. If necessary, is the end of the installation tube seal

(1) For wiring, the upper part of the base plate must be solved. Base plate and upper part are connected with each other by mounting clips.

(2) The installation of the base plate to the smooth wall surface can be done with plugs and screws.

(3) Then, the device is placed on the base plate.



» CONNECTION PLAN

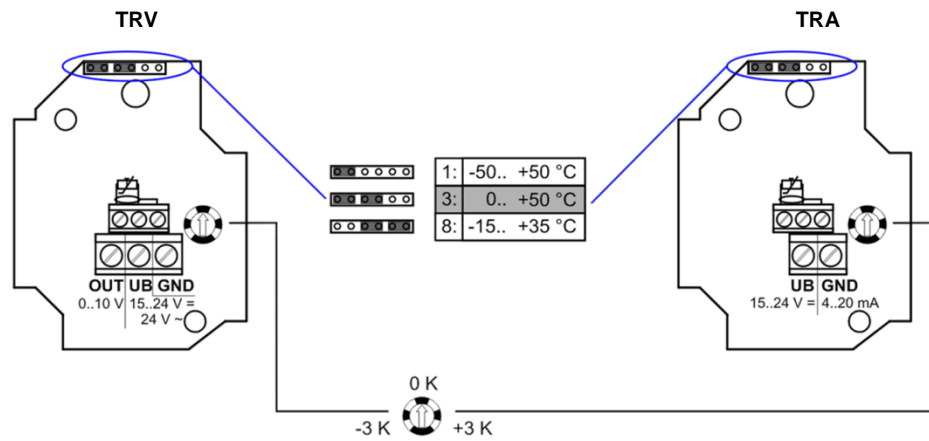
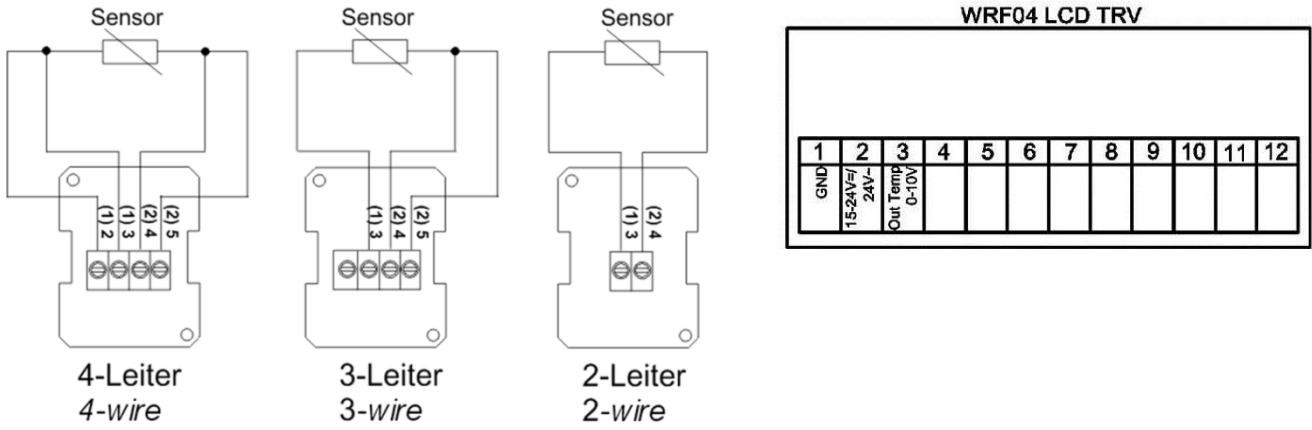
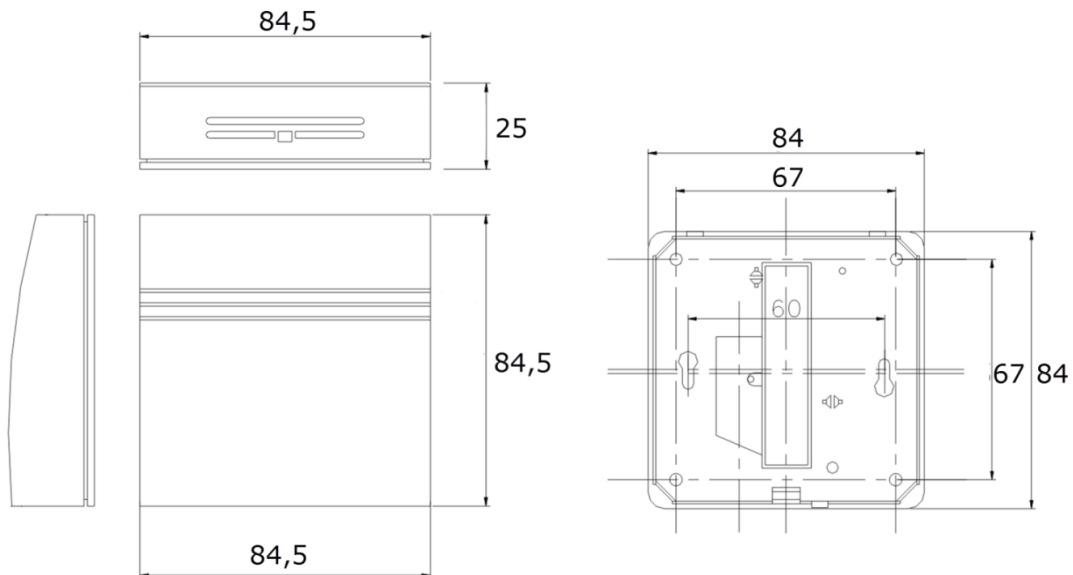


fig. (Measuring range and offset adjustment, default settings: 0 °C..+50 °C | 0 K)

» DIMENSIONS (MM)



» ACCESSORIES (OPTIONAL)

- Rawl plugs and screws (2 pcs. each)
- Frame for surface mounting WRF04
- Balls stroke protection BS100 (only for WRF04)

- Item No. 102209
- Item No. 111584
- Item No. 103312