



Safety foot switches

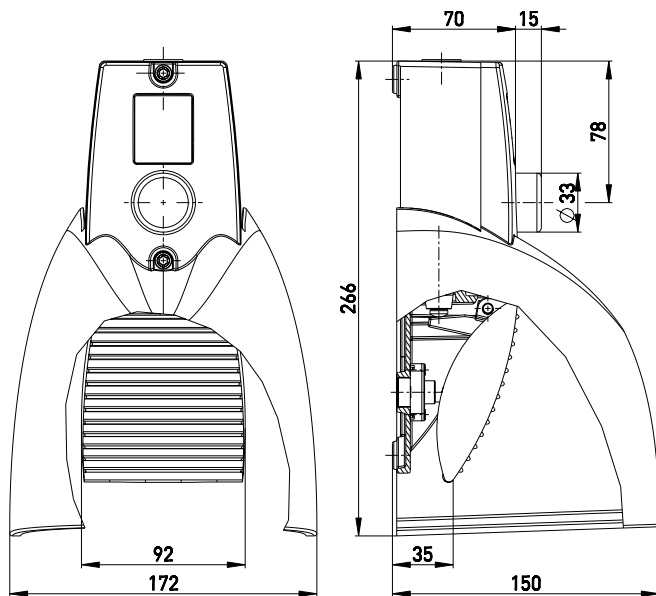
GFSI 1S D 1Ö VD

Material number: 1159564 (Material number old: 53225001)

Features/Options

- NC contact 15-16 \ominus in series with NO contact 23-24 (internal wiring)
- Ergonomic pedal design and wide opening in protective shield
- Wiring compartment

Dimensions

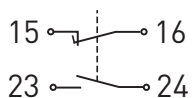


Technical data

Standards	EN ISO 13849-1; EN 60947-5-1, BG-GS-ET-15
Enclosure	aluminium die-cast, enamel finish, RAL 5011
Pedal	aluminium die-cast, enamel finish, RAL 5011
Protective shield	aluminium die-cast, enamel finish, RAL 2004
Connection	screw connection terminals
Cable cross-section	max. 2.5 mm ² (incl. conductor ferrules)
Cable entry	1 x M20 x 1.5
Contact material	silver
Degree of protection	IP 65 to IEC/EN 60529
Switching system	slow action with double break, positive break NC contacts \ominus
Switch insert	ES 60 GF VD
Switching elements	1 NO/1 NC contact
Actuating force	approx. 240 N
B_{10d} (10 % Load)	200 000
T_M	max. 20 years
Utilisation category	AC-15
U_{imp}	6 kV
U_i	500 V
I_{the}	16 A
I_e/U_e	16 A/400 VAC
Contact load capacity	max. 400 VAC, max. 16 A (cos φ = 1)
Max. fuse rating	16 A gG/gN fuse
Ambient temperature	-25 °C ... +80 °C
Mechanical life	> 100 000 operations
Approvals	
Weight	1000 g

Errors and omissions excepted.

Contact diagram





Safety foot switches

GFSI 1S D 1Ö VD

Material number: 1159564 (Material number old: 53225001)

Switching diagram

