



## Foot switch with metal enclosure

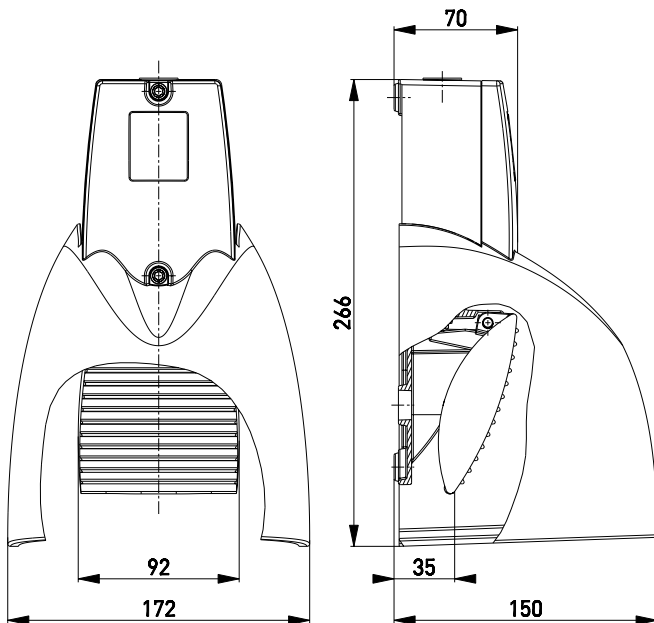
### GFSI 1Ö/1S

Material number: 1053499 (Material number old: 53201001)

#### Features/Options

- Metal enclosure
- With protective shield
- Ergonomic pedal design and wide opening in protective shield
- Wiring compartment

#### Dimensions



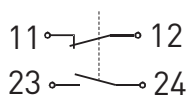
#### Technical data

<b>Standards</b>	EN ISO 13849-1; EN 60947-5-1
<b>Enclosure</b>	aluminium die-cast, enamel finish, RAL 5011
<b>Pedal</b>	aluminium die-cast, enamel finish, RAL 5011
<b>Protective shield</b>	aluminium die-cast, enamel finish, RAL 2004
<b>Connection</b>	screw connection terminals
<b>Cable cross-section</b>	max. 2.5 mm <sup>2</sup> (incl. conductor ferrules)
<b>Cable entry</b>	1 x M20 x 1.5
<b>Contact material</b>	silver
<b>Degree of protection</b>	IP 65 to IEC/EN 60529
<b>Switching system</b>	slow action with double break, positive break NC contacts ⊖
<b>Switch insert</b>	ES 60 GF
<b>Switching elements</b>	1 NC/1 NO contact
<b>B<sub>10d</sub> (10 % Load)</b>	2 million
<b>T<sub>M</sub></b>	max. 20 years
<b>Utilisation category</b>	AC-15
<b>I<sub>e</sub>/U<sub>e</sub></b>	16 A/400 VAC
<b>Max. fuse rating</b>	16 A gG/gN fuse
<b>Ambient temperature</b>	-25 °C ... +80 °C
<b>Mechanical life</b>	> 1 million operations
<b>Approvals</b>	

Weight 1000 g

Errors and omissions excepted.

#### Contact diagram



#### Switching diagram

