



Foot switch with metal enclosure

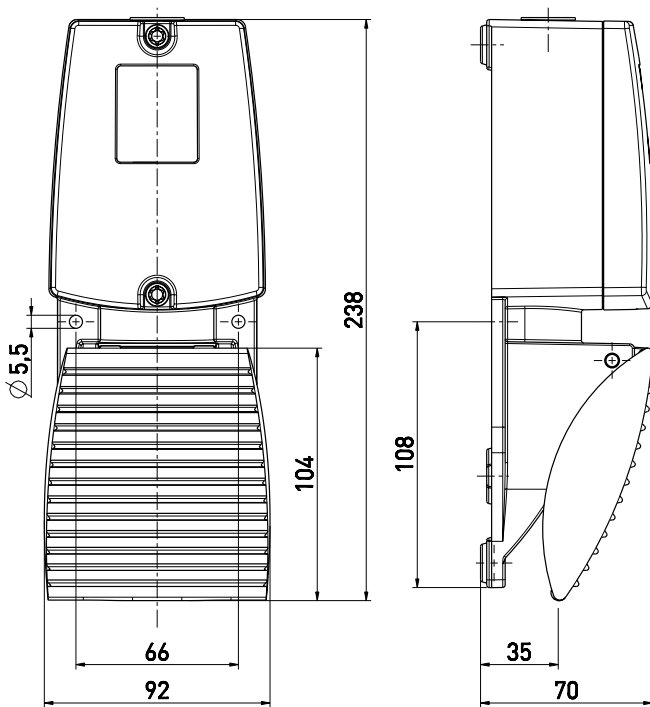
GFI 10/1S

Material number: 1053497 (Material number old: 53101001)

Features/Options

- Metal enclosure
- High level of stability
- Ergonomic pedal design and low pedal height
- Wiring compartment

Dimensions



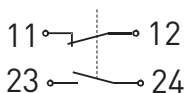
Technical data

Standards	EN ISO 13849-1; EN 60947-5-1
Enclosure	aluminium die-cast, enamel finish, RAL 5011
Cover	aluminium die-cast, enamel finish, RAL 2004
Pedal	aluminium die-cast, enamel finish, RAL 5011
Connection	screw connection terminals
Cable cross-section	max. 2.5 mm ² (incl. conductor ferrules)
Cable entry	1 x M20 x 1.5
Contact material	silver
Degree of protection	IP 65 to IEC/EN 60529
Switching system	slow action with double break, positive break NC contacts \ominus
Switch insert	ES 60 GF
Switching elements	1 NC/1 NO contact
B_{10d} (10 % Load)	2 million
T_M	max. 20 years
Utilisation category	AC-15
I_e/U_e	16 A/400 VAC
Max. fuse rating	16 A gG/gN fuse
Ambient temperature	-25 °C ... +80 °C
Mechanical life	> 1 million operations
Approvals	

Weight 910 g

Errors and omissions excepted.

Contact diagram



Switching diagram

