



Wireless inductive sensor // RF IS M30 nb-ST

Features/Options

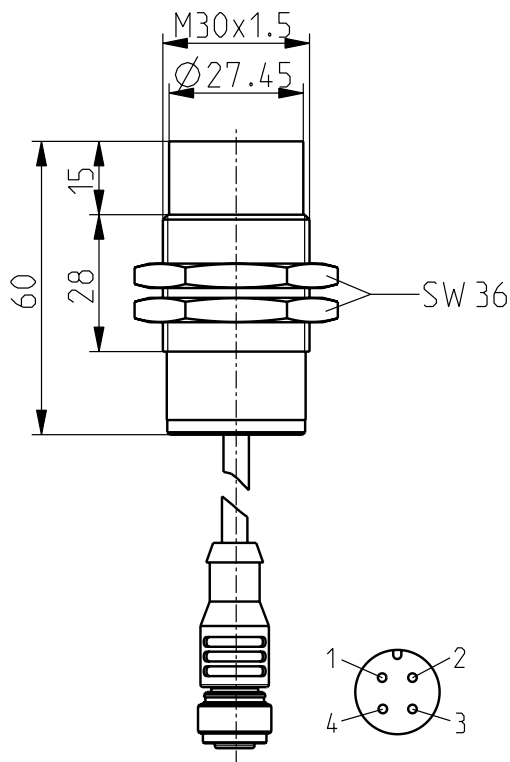
- Metal enclosure
- M30 thread
- Non-flush mounting

Note

- 2 mounting nuts are included in delivery

- To be connected to RF 96 ST EN868 universal transmitter
- With M12 coupling, 4-pole

Dimensions



Technical data

Standards	EN 60947-5-1
Enclosure	brass nicked
Cap	PVC, black
Connection	Coupling M12x1, 4-pole
Cable length	0.5 m, 1 m or 2 m
Degree of protection	IP 67 to IEC/EN 60529
Ambient temperature	-25 °C ... +70 °C
Rated isolation voltage U_i	75 V DC
Rated operating current I_e	0.2 mA
Rated operating voltage U_e	3 ... 5 V DC
Switching distance	s_n 15 mm; s_a 0 ... 12.15 mm; s_r 13.5 mm ... 16.5 mm
Hysteresis	approx. 10 %
Repeat accuracy	< 5 %
Mounting	non-flush
Switching frequency	see RF 96 ST
Correction factors	Steel (St37) = 1; V2A approx. 0.7; Brass approx. 0.5; Al approx. 0.5; Cu approx. 0.4
Target	45 x 45 mm x 1 mm material: steel (FE 360)
Note	The sensors can only be used in conjunction with RF 96 ST

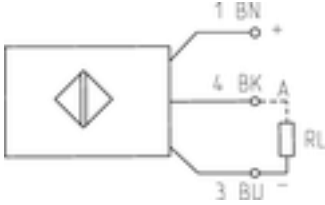
Errors and omissions excepted.



Wireless inductive sensor // RF IS M30 nb-ST

Ordering details

NO contact



Type

RF IS M30 nb-ST 0.5 m
RF IS M30 nb-ST 1 m
RF IS M30 nb-ST 2 m

Order no.

90211007
90211010
90211004

Accessories

RF 96 ST

Type

RF 96 ST EN868

Order no.

66800201