



## Foot switches with thermoplastic enclosure

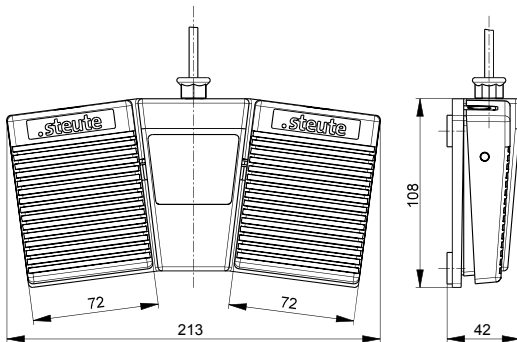
### KF 2 HS 0-10VDC/0-10VDC - 2m

### Material number: 1167594 (Material number old: 87183001)

#### Features/Options

- With Hall sensor: Analogue output
- 2-pedal type
- Thermoplastic enclosure
- Small flat design
- With pre-wired cable, cable length 2 m
- Output value: 0 ... 10 VDC
- Analogue output signal proportional to pedal travel

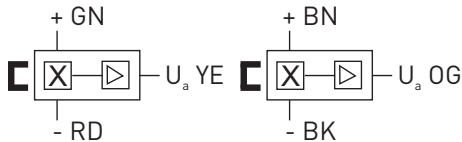
#### Dimensions



#### Technical data

<b>Standards</b>	EN 60947-5-1; VDE 0660 part 200
<b>Enclosure</b>	polyamide 66 glass-fibre reinforced, self-extinguishing
<b>Pedal</b>	glass-fibre reinforced thermoplastic (PA 66)
<b>Connection</b>	cable AWG, length 2 m
<b>Cable cross-section</b>	6-core AWG 20: 0.52 mm <sup>2</sup> , cable: ø max. 6.5 mm
<b>Degree of protection</b>	IP 65 to IEC/EN 60529
<b>Switching system</b>	Hall sensor
<b>Output voltage U<sub>a</sub></b>	0...10 VDC ±1 %
<b>I<sub>e</sub>/U<sub>e</sub></b>	25 mA/15 ... 30 VDC
<b>Ambient temperature</b>	-10 °C ... +60 °C
<b>Mechanical life</b>	> 1 million operations
<b>Approvals</b>	<b>ERC</b>
<b>Weight</b>	630 g

#### Contact diagram



Errors and omissions excepted.