



Foot switches with thermoplastic enclosure

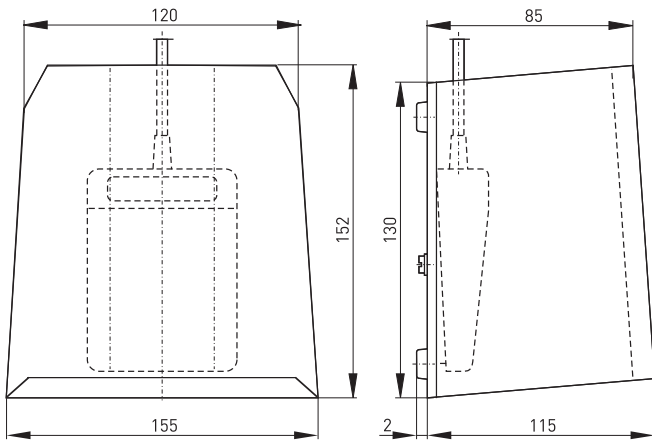
KFS HS 0-10 VDC-2m

Material number: 1049414 (Material number old: 88283001)

Features/Options

- With Hall sensor: Analogue output
- Thermoplastic enclosure
- With metal protective shield
- With pre-wired cable, cable length 2 m
- Output value: 0 ... 10 VDC
- Analogue output signal proportional to pedal travel

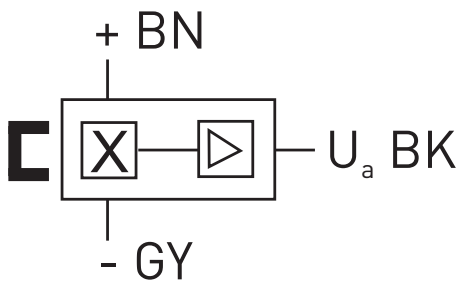
Dimensions



Technical data

Standards	EN 60947-5-1; VDE 0660 part 200
Enclosure	polyamide 66 glass-fibre reinforced, self-extinguishing
Pedal	glass-fibre reinforced thermoplastic (PA 66)
Protective shield	steel, enamel finish
Connection	pre-wired cable H03VV-F
Cable cross-section	3 x 0.5 mm ²
Degree of protection	IP 65 to IEC/EN 60529
Switching system	Hall sensor
Output voltage U_a	0...10 VDC ±1 %
I_e/U_e	25 mA/15 ... 30 VDC
Ambient temperature	-10 °C ... +60 °C
Mechanical life	> 1 million operations
Approvals	EMC
Weight	780 g

Switching diagram



Errors and omissions excepted.