



Foot switches with thermoplastic enclosure

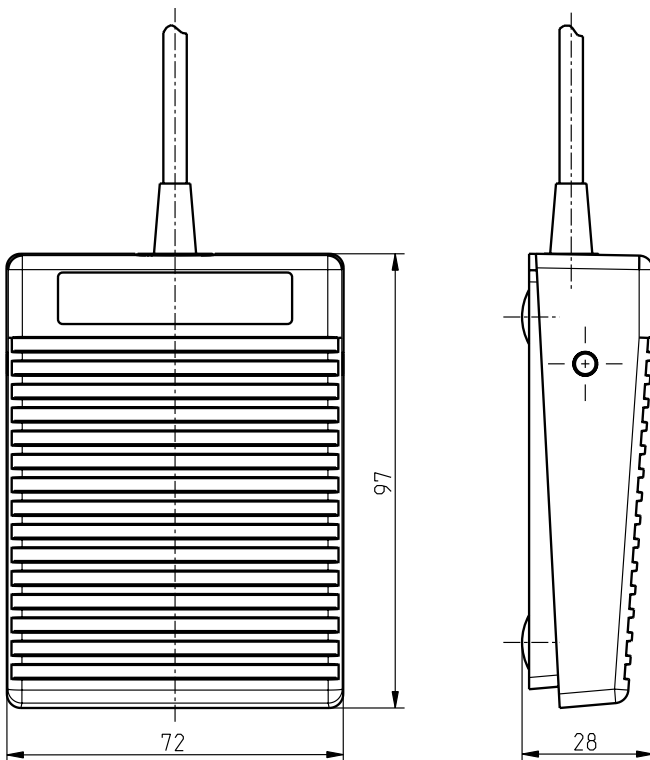
KF 1S D 1S-2m

Material number: 1049324 (Material number old: 88167003)

Features/Options

- With pressure point: 2-step switch
- 2 contacts
- Thermoplastic enclosure
- Small flat design
- Reed contacts for low currents from 1 mA to 1 A
- With pre-wired cable, cable length 2 m

Dimensions



Technical data

Standards
Enclosure

EN 60947-5-1; VDE 0660 part 200
polyamide 66 glass-fibre
reinforced, self-extinguishing

Pedal

glass-fibre reinforced
thermoplastic (PA 66)

Connection

cable AWG, length 2 m

Cable cross-section

4-core: AWG 24: 0.20 mm²

Degree of protection

IP 65 to IEC/EN 60529

Switching system

reed contacts

Actuating force

approx. 20 N

Switching voltage

12 ... 250 VAC/DC

Max. switch-on current

1 A

Max. switch-on power

30 VA

Ambient temperature

-10 °C ... +60 °C

Mechanical life

> 1 million operations

Approvals



Weight

200 g

Errors and omissions excepted.

Switching diagram

