



Foot switch metal enclosure GFMK 1Ö/1S

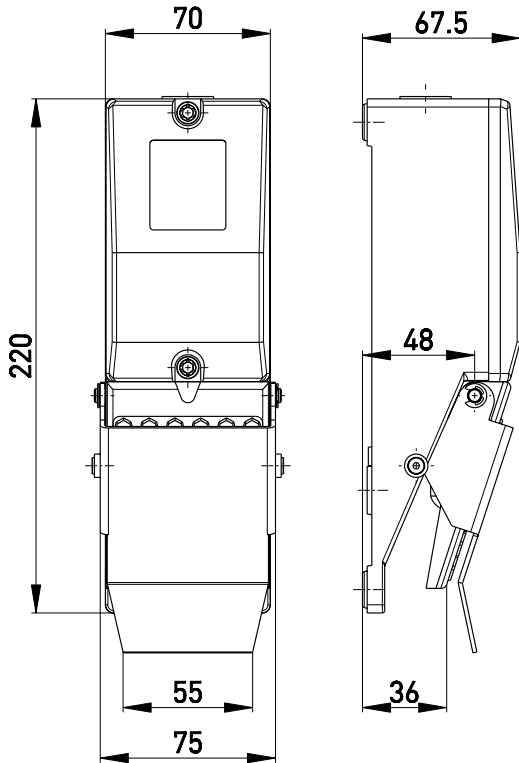
Material number: 1187120 (Material number (old): 81102803)

Features/Options

- Metal enclosure
- High level of stability
- Low pedal height

- Wiring compartment
- With pedal cover K to protect against unintentional or accidental activation of the foot switch

Dimensions



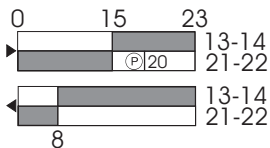
Technical data

Standards	EN ISO 13849-1; EN 60947-5-1
Enclosure	aluminium die-cast, enamel finish, RAL 5011
Cover	glass-fibre reinforced thermoplastic
Pedal	glass-fibre reinforced thermoplastic
Connection	screw terminals
Cable cross-section	max. 2.5 mm ² (incl. conductor ferrules)
Cable entry	1 x M20 x 1.5
Contact material	silver
Degree of protection	IP 65 to IEC/EN 60529
Switching system	snap action with double break, positive break NC contacts ⊖
Switch insert	ZS 232
B_{10d} (10 % Load)	2 million
T_M	max. 20 years
Utilisation category	AC-15
I_e/U_e	4 A/230 VAC; 2.5 A/400 VAC; 1 A/500 VAC
Max. fuse rating	4 A gG/gN fuse
Ambient temperature	-25 °C ... +80 °C
Mechanical life	> 1 million operations
Approvals	

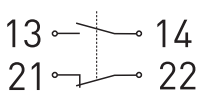
Switching diagram

Snap action

1 NC/1 NO contact



Contact diagram



Errors and omissions excepted.