

Horizontal Articulated SCARA Robot
Basic / High-Power Specification



New High-power 3~230 VAC
Models for 2.4 KW
XSEL-PX/QX
Controller



Standard Type NNN Series

The standard type combines the best performance and user-friendliness in its class. The wide selection of arm lengths (from a minimum of 250 mm to a maximum of 800 mm) provides the variety to accommodate a wide range of applications.

Arm length	Model*	Page
250mm	IX-NNN2515[H]	P9
350mm	IX-NNN3515[H]	P10
500mm	IX-NNN5020[H] (5030[H])	P11
600mm	IX-NNN6020[H] (6030[H])	P12
700mm	IX-NNN7020[H] (7040[H])	P13
800mm	IX-NNN8020[H] (8040[H])	P14

*[H]: High-power specification



High-Speed Type NSN Series

The high-speed type offers enhanced performance at high-speed operation by combining a high-output motor with the standard body. This contributes to reduced cycle times.

Arm length	Model*	Page
500mm	IX-NSN5016[H]	P15
600mm	IX-NSN6016[H]	P16

*[H]: High-power specification



Dustproof/Splash-proof Type NNW Series

The dustproof/splash-proof type adopts a protective structure conforming to IP65. This robot can be used in environments subject to powder dust or water splashes.

Arm length	Model*	Page
250mm	IX-NNW2515[H]	P17
350mm	IX-NNW3515[H]	P18
500mm	IX-NNW5020[H] (5030H)	P19
600mm	IX-NNW6020[H] (6030[H])	P20
700mm	IX-NNW7020[H] (7040[H])	P21
800mm	IX-NNW8020[H] (8040[H])	P22

*[H]: High-power specification



Wall Mount type TNN Series

This robot is mounted on a wall for operation. The space below the robot can be utilized effectively, so you will have more freedom in designing your equipment.

Arm length	Model*	Page
300mm	IX-TNN3015[H]	P23
350mm	IX-TNN3515[H]	P24

*[H]: High-power specification



Wall Mount Inverse Type UNN Series

This is the same as the wall mount type (TNN), but it is installed upside down. This is ideal for applications where the robot must handle loads from above.

Arm length	Model*	Page
300mm	IX-UNN3015[H]	P23
350mm	IX-UNN3515[H]	P24

*[H]: High-power specification



Ceiling Mount Type HNN Series

This robot is mounted on a ceiling for operation. The space below the robot can be utilized effectively, so you will have more freedom in designing your equipment.

Arm length	Model*	Page
500mm	IX-HNN5020[H]	P25
600mm	IX-HNN6020[H]	P26
700mm	IX-HNN7020[H] (7040[H])	P27
800mm	IX-HNN8020[H] (8040[H])	P28

*[H]: High-power specification



Inverse type INN Series

This is the same as the ceiling mount type (HNN), but it is installed upside down. This is ideal for applications where the robot must handle loads from above.

Arm length	Model*	Page
500mm	IX-INN5020[H]	P25
600mm	IX-INN6020[H]	P26
700mm	IX-INN7020[H] (7040[H])	P27
800mm	IX-INN8020[H] (8040[H])	P28

*[H]: High-power specification



Clean Room Type NNC Series

This robot generates minimal particles and is ideal for operation in a clean room environment. The air inside the robot can be vacuumed if conformance to ISO cleanliness class 4 is required.

Arm length	Model*	Page
250mm	IX-NNC2515[H]	P29
350mm	IX-NNC3515[H]	P30
500mm	IX-NNC5020[H] (5030[H])	P31
600mm	IX-NNC6020[H] (6030[H])	P32
700mm	IX-NNC7020[H] (7040[H])	P33
800mm	IX-NNC8020[H] (8040[H])	P34

*[H]: High-power specification



Outstanding user-friendliness, lineup and cost performance

Greatly reduced cycle time of new 3-phase high-power type IX-H

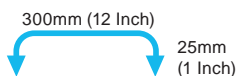
The IX series achieves best-in-class specifications in every aspect from high-speed performance and load capacity to repeated positioning accuracy.

1 Highest Speed, Load Capacity and Accuracy in Its Class

Standard cycle time: 0.29/0.28 sec. range (*1)
 Repeated positioning accuracy: $\pm 0.01\text{ mm}/\pm 0.005^\circ$ (*2)
 Maximum load capacity: 20 kg (*3)

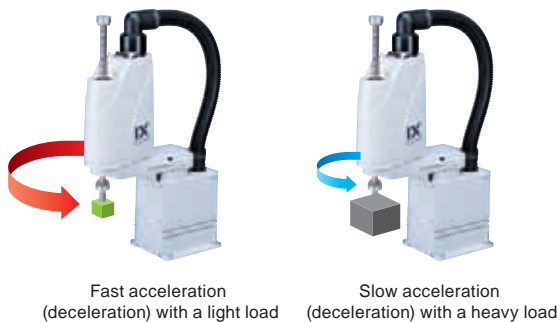
*1 The standard cycle time refers to the length of time for the arm to cycle back and forth over a vertical distance of 25 mm and a horizontal distance of 300 mm (rough positioning). This is based on an arm length of 500 for the basic-/high-power high-speed type NSN.

*2 $\pm 0.015\text{ mm}/\pm 0.005^\circ$ if the arm length is 700/800
 *3 Based on an arm length of 700/800



2 New Optimum Acceleration Function*

By entering conditions, such as the transfer mass, and specifying the optimum acceleration for those conditions, operation at the minimum cycle time can easily be achieved.

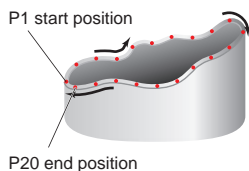


*Only high-power specification type

3 Improved Tracing Accuracy and Interpolation Function

The IX Series offers greatly improved tracing accuracy as a result of a more rigid body construction in addition to a higher controller processing speed.

The robot can also perform three-dimensional arc/pass motions to allow for easy and accurate dispensing operations.

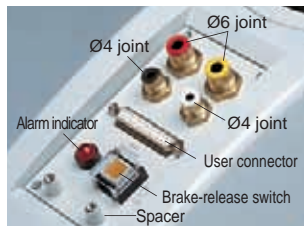


Command	Operation 1	Operation 2
PATH	P1	P20

Path movement consisting of many points can be implemented with a single line in the program.

4 Greater Ease of Use

An easily accessible D-sub/25-pin connector is provided on top of the robot for user connections. Two $\varnothing 4$ and two $\varnothing 6$ tube connectors are also available for any user tubing needs. In addition, the brake-release switch on the robot allows you to release the brake even after the controller has been turned off. (*1) The alarm indicator alerts you of errors that occur on the robot. (*2)



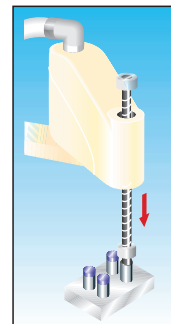
*1 24 VDC power must be supplied regardless of whether or not the brake-release switch is used.
 *2 In order to use the alarm indicator, it must be wired by the user.

5 Easy Programming

The IX Series uses programs written in the Super SEL language, a well-established command language used by Cartesian robots. With Super SEL, complex operations can be programmed easily, allowing programs to be created quickly without prior knowledge of robot language.

6 Z-Axis Push Motion Function

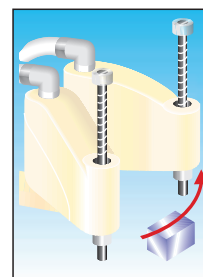
With the Z-axis (vertical axis) push motion function, the robot can press-fit loads or control the torque.



7 Simple Interference Check Zone Function

A maximum of 10 interference check zones can be set within the robot's work envelope. Since a signal is output when a load enters a check zone, this function is useful for conducting test operations at low speed.

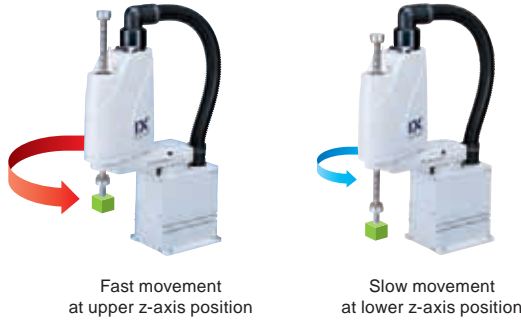
*The load must remain inside a zone for at least 5 msec to ensure accurate detection.



8 New Auto Speed Control by Z-Axis Position*

The automatically calculated robot limit speed prevents plasticity deformation of ball screw spline according to the z-axis position.

*Only high-power specification type



11 Widest Variations in the Industry

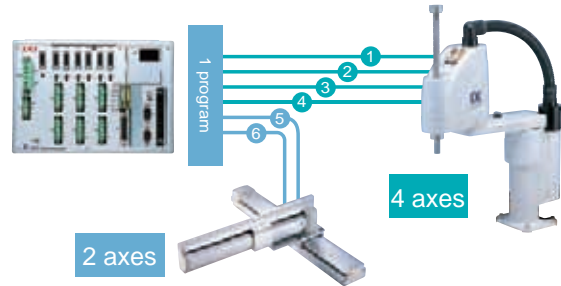
The IX Series provides the following variations:

- Standard Type
- High-Speed Type
- Clean Room Type
- Dustproof/Splash-proof Type
- Ceiling Mount Inverse Type

The five types listed above are suitable for a wide range of applications.

12 Controlling SCARA Robots plus 2 Additional Axes

The XSEL-PX/QX can control SCARA robots plus up to two axes in a combination of single-axis and/or cartesian robots (total wattage: 2400 W). If the SCARA robot has an arm length of 500/600, two 750 W axes can be operated together.



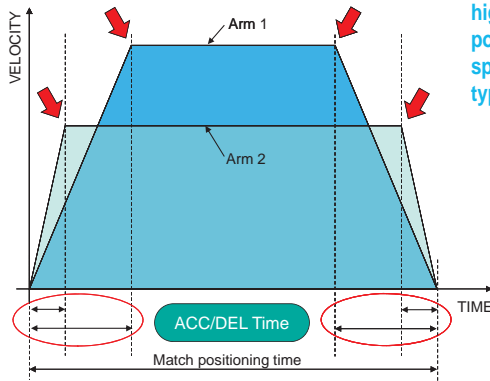
9 Complete Absolute Operation

All models adopt a 17-bit serial absolute encoder; therefore, accurate positioning can be performed without homing each time. If the need arises, an absolute reset can be performed easily and accurately using a dedicated jig. (Refer to "Robot Options" on p. 36.)

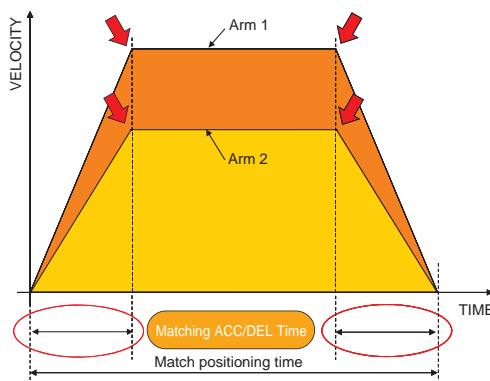
10 New Improved Robot Motion*

The IX-H 3-phase high-power type is matching the acceleration/deceleration time at the PTP motion. A smooth 1-step movement is being achieved against to the conventional 1-phase basic-power type with more agitated 2-step motion of robot arm 1 and 2.

*Only high-power spec. type



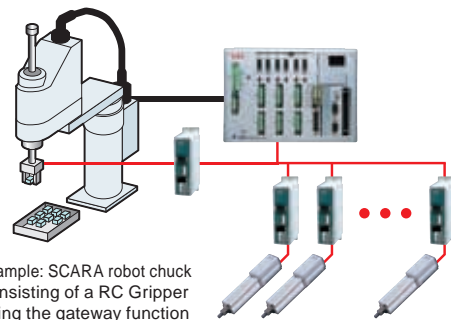
Acceleration/Deceleration of conventional IX type



Acceleration/Deceleration of high-power IX type

13 RoboCylinder Gateway Function

Up to 16 RoboCylinder axes can be additionally operated via serial communication using the gateway function. RoboCylinders can be operated using SEL language programs. You can also change the position data of your RoboCylinder or read the current RoboCylinder position.



Example: SCARA robot chuck consisting of a RC Gripper using the gateway function

14 Conveyor Tracking Function (Optional)

For SCARA robots with an arm length of 500/600 the SCARA controller PX/QX can be configured to detect works on the conveyor using a vision system and handle them synchronously with the conveyor movement.

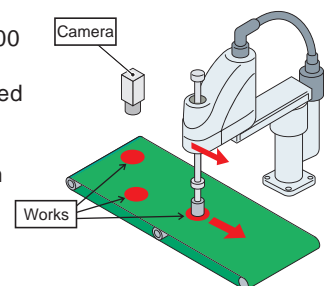



Table of Specifications IX Basic-power 1-phase SCARA Robot Series












Type	Arm length (mm) and maximum composite speed (mm/s)						Standard cycle time ^(*) (sec)	Load capacity ^(*)		Vertical axis stroke		Model	Page	
	250 mm	350 mm	500 mm	600 mm	700 mm	800 mm		Rated (kg)	Maximum (kg)	Standard (mm)	Option (mm)			
Standard Type NNN		3142 mm/s						0.46	1	3	150	–	IX-NNN2515	P9
			3979 mm/s					0.53	1	3	150	–	IX-NNN3515	P10
				6283 mm/s				0.44	2	10	200	300	IX-NNN5020 (5030)	P11
					7121 mm/s			0.52	2	10	200	300	IX-NNN6020 (6030)	P12
						6597 mm/s		0.50	5	20	200	400	IX-NNN7020 (7040)	P13
					7121 mm/s	0.52	5	20	200	400	IX-NNN8020 (8040)	P14		
High-Speed Type NSN				4712 mm/s			0.29 range	1	3	160	–	IX-NSN5016	P15	
					5236 mm/s		0.38 range	1	3	160	–	IX-NSN6016	P16	
Dustproof/Splash-proof Type NNW		3142 mm/s						0.51	1	3	150	–	IX-NNW2515	P17
			3979 mm/s					0.59	1	3	150	–	IX-NNW3515	P18
				6283 mm/s				0.49	2	10	200	300	IX-NNW5020 (5030)	P19
					7121 mm/s			0.55	2	10	200	300	IX-NNW6020 (6030)	P20
						6597 mm/s		0.52	5	20	200	400	IX-NNW7020 (7040)	P21
					7121 mm/s	0.52	5	20	200	400	IX-NNW8020 (8040)	P22		
Wall Mount type TNN		3560 mm/s						0.49	1	3	150	–	IX-TNN3015	P23
			3979 mm/s					0.53	1	3	150	–	IX-TNN3515	P24
Wall Mount Inverse Type UNN		3560 mm/s						0.49	1	3	150	–	IX-UNN3015	P23
			3979 mm/s					0.53	1	3	150	–	IX-UNN3515	P24
Ceiling Mount Type HNN				6283 mm/s				0.44	2	10	200	–	IX-HNN5020	P25
					7121 mm/s			0.52	2	10	200	–	IX-HNN6020	P26
						6597 mm/s		0.50	5	20	200	400	IX-HNN7020 (7040)	P27
							7121 mm/s	0.52	5	20	200	400	IX-HNN8020 (8040)	P28
Inverse type INN				6283 mm/s				0.44	2	10	200	–	IX-INN5020	P25
					7121 mm/s			0.52	2	10	200	–	IX-INN6020	P26
						6597 mm/s		0.50	5	20	200	400	IX-INN7020 (7040)	P27
							7121 mm/s	0.52	5	20	200	400	IX-INN8020 (8040)	P28
Clean Room Type NNC		3142 mm/s						0.49	1	3	150	–	IX-NNC2515	P29
			3979 mm/s					0.58	1	3	150	–	IX-NNC3515	P30
				6283 mm/s				0.47	2	10	200	300	IX-NNC5020 (5030)	P31
					7121 mm/s			0.54	2	10	200	300	IX-NNC6020 (6030)	P32
						6597 mm/s		0.52	5	20	200	400	IX-NNC7020 (7040)	P33
					7121 mm/s	0.52	5	20	200	400	IX-NNC8020 (8040)	P34		

(*) The standard cycle times have been measured under the following conditions.

(Arm length 250 to 600) Reciprocating movement of a 2 kg load over a vertical distance of 25 mm and a horizontal distance of 300 mm
 (Arm length 700/800) Reciprocating movement of a 5 kg load over a vertical distance of 25 mm and a horizontal distance of 300 mm

(*) The rated load capacity refers to the maximum load that can be carried at the maximum operating speed. The maximum load capacity refers to the maximum load that can be carried at a reduced acceleration ratio.

Table of Specifications IX-H High-power 3-phase SCARA Robot Series

Type	Arm length (mm) and maximum composite speed (mm/s)						Standard cycle time ^(*1) (sec)	Load capacity ^(*2)		Vertical axis stroke		Model	Page	
	250 mm	350 mm	500 mm	600 mm	700 mm	800 mm		Rated (kg)	Maximum (kg)	Standard (mm)	Option (mm)			
Standard Type NNN		3191 mm/s						0.40	1	3	150	-	IX-NNN2515H	P9
			4042 mm/s					0.42	1	3	150	-	IX-NNN3515H	P10
				6381 mm/s				0.39	2	10	200	300	IX-NNN5020H (5030H)	P11
					7232 mm/s			0.43	2	10	200	300	IX-NNN6020H (6030H)	P12
						7010 mm/s		0.42	5	20	200	400	IX-NNN7020H (7040H)	P13
High-Speed Type NSN				5007 mm/s				0.28 range	1	3	160	-	IX-NSN5016H	P15
					5583 mm/s			0.29 range	1	3	160	-	IX-NSN6016H	P16
Dustproof/Splash-proof Type NNW		3191 mm/s						0.45	1	3	150	-	IX-NNW2515H	P17
			4042 mm/s					0.47	1	3	150	-	IX-NNW3515H	P18
				6381 mm/s				0.43	2	10	200	300	IX-NNW5020H (5030H)	P19
					7232 mm/s			0.47	2	10	200	300	IX-NNW6020H (6030H)	P20
						7010 mm/s		0.45	5	20	200	400	IX-NNW7020H (7040H)	P21
Wall Mount type TNN			3616 mm/s					0.41	1	3	150	-	IX-TNN3015H	P23
				4042 mm/s				0.42	1	3	150	-	IX-TNN3515H	P24
Wall Mount Inverse Type UNN			3616 mm/s					0.41	1	3	150	-	IX-UNN3015H	P23
				4042 mm/s				0.42	1	3	150	-	IX-UNN3515H	P24
Ceiling Mount Type HNN				6381 mm/s				0.39	2	10	200	-	IX-HNN5020H	P25
					7232 mm/s			0.43	2	10	200	-	IX-HNN6020H	P26
						7010 mm/s		0.42	5	20	200	400	IX-HNN7020H (7040H)	P27
							7586 mm/s	0.43	5	20	200	400	IX-HNN8020H (8040H)	P28
Inverse type INN				6381 mm/s				0.39	2	10	200	-	IX-INN5020H	P25
					7232 mm/s			0.43	2	10	200	-	IX-INN6020H	P26
						7010 mm/s		0.42	5	20	200	400	IX-INN7020H (7040H)	P27
							7586 mm/s	0.43	5	20	200	400	IX-INN8020H (8040H)	P28
Clean Room Type NNC		3191 mm/s						0.44	1	3	150	-	IX-NNC2515H	P29
			4042 mm/s					0.46	1	3	150	-	IX-NNC3515H	P30
				6381 mm/s				0.41	2	10	200	300	IX-NNC5020H (5030H)	P31
					7232 mm/s			0.45	2	10	200	300	IX-NNC6020H (6030H)	P32
						7010 mm/s		0.45	5	20	200	400	IX-NNC7020H (7040H)	P33
						7586 mm/s	0.46	5	20	200	400	IX-NNC8020H (8040H)	P34	

(*1) The standard cycle times have been measured under the following conditions.

(Arm length 250 to 600) Reciprocating movement of a 2 kg load over a vertical distance of 25 mm and a horizontal distance of 300 mm

(Arm length 700/800) Reciprocating movement of a 5 kg load over a vertical distance of 25 mm and a horizontal distance of 300 mm

(*2) The rated load capacity refers to the maximum load that can be carried at the maximum operating speed. The maximum load capacity refers to the maximum load that can be carried at a reduced acceleration ratio.

Notes

IX SCARA Robot Series

(Note 1)
Repeated positioning accuracy

"Repeated positioning accuracy" refers to the positioning accuracy from the same start position to a single set position during repeated operation at the same speed and acceleration and with the same arm. (The values were measured at a constant ambient temperature of 20 °C.) This is not the same as "absolute positioning accuracy".

Note that the repeated positioning accuracy may be out of specification if the arm is changed, if the positioning is from multiple different positions to a single set position, or if the operating conditions, such as the operating speed and acceleration settings, are changed.

(Note 2)
Maximum operating speed

The specifications for the maximum operating speed represent the speed with PTP command operation.

Note that high-speed movement will be limited with CP command operation (interpolated movement).

In addition, movement at the descending end on a vertical axis requires appropriate reduction in speed and acceleration.

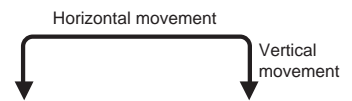
(Note 3)
Standard cycle time

"Standard cycle time" refers to the time required to cycle back and forth at maximum speed under the following conditions. This is a general estimate of the high-speed performance (rough positioning).

(Arm length 250–600) 2 kg load; vertical distance: 25 mm; horizontal distance: 300 mm
(Arm length 700/800) 5 kg load; vertical distance: 25 mm; horizontal distance: 300 mm

<Note>

The standard cycle time is the required length of time when operating at maximum speed; however, the robot cannot operate continuously at maximum speed.

**(Note 4)**
Load capacity

"Load capacity" is the maximum mass that can be transferred. Specifications are listed for the rated load capacity and the maximum load capacity.

The rated load capacity is the maximum mass that can be transferred at maximum speed and maximum acceleration.

The maximum load capacity is the maximum mass that can be transferred at a reduced speed and acceleration.

When transferring a load between the rated load capacity and the maximum load capacity, an appropriate reduction in acceleration is required.

(Note 5)
Arm 3 (vertical axis) push force

"Axis 3 push force" is the push force applied by the tip of the vertical axis.

The maximum limit of the push force is 70% and 65% with the high-speed type. (The value noted under the 'maximum limit' column in the product specification section reflects this)

The minimum limit of the push force is 40% of the maximum push force.

The setting can be specified between 40% and 70% (40% and 65% for the high-speed type) of the maximum.

(Note 6)
Axis 4 allowable inertial moment

"Axis 4 allowable inertial moment" is the allowable inertial moment of axis 4 (rotating axis) of the SCARA robot as calculated at the center of rotation.

The offset from the center of rotation of axis 4 to the tool's gravity center must be within 40 mm.

If the tool's gravity center is further away from the center of axis 4, an appropriate reduction in speed and acceleration is required.

(Note 7)
Alarm indicator

The alarm indicator is located on top of arm 2 of the SCARA robot.

The alarm indicator can be wired to illuminate in certain conditions, such as when the controller generates an error. In order to use the alarm indicator, the user must provide a circuit that responds to the controller's I/O output signal by supplying 24 VDC to the applicable LED terminal in the user wiring.

(Note 8)
Brake-release switch

The brake-release switch is also located on top of arm 2 of the SCARA robot, near the alarm indicator.

In order to release the brake, 24 VDC power must be supplied, regardless of whether or not the brake-release switch is used. (Supply 24 VDC from a dedicated power supply separate from the 24 VDC power used to drive the I/O.)

(Note 9)
Cable length

The motor and encoder cables of the SCARA robot are directly connected to the robot. The IX Series does not use cable joints; therefore, changing the cable length on the delivered robot will be difficult. Select either 5 m (code 5L) or 10 m (code 10L) as the desired cable length when ordering. (The air tube length is 150 mm.)

Work envelope

When performing an absolute reset or changing the arm, be careful that no peripherals will obstruct the arm when it fully extends.

Acceleration settings

SCARA robots operate at 100% of the maximum acceleration allowable for operation with each transfer mass.

If vibrations or overload errors occur, reduce the acceleration appropriately.

(Operating times differ with different transfer masses, even with the same acceleration and speed settings.)

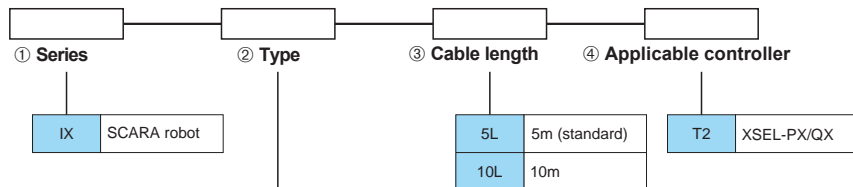
***For reference acceleration settings, refer to p. 45.**

*(Note 1) through (Note 9) correspond to notations on other pages of this document.

Description of Model Items

Refer to the opposite page for details on each item in the model number (① through ④). The selection range for each item varies depending on the robot type. For details, refer to the page corresponding to each type.

IX-□□□2515/3515/50□□/60□□/70□□/80□□ basic-power series
[IX-□□□2515H/3515H/50□□H/60□□H/70□□H/80□□H high-power series]



NNN	2515[H]	Standard/ TableTop Type	Arm length 250mm	Vertical axis 150mm
	3515[H]		Arm length 350mm	Vertical axis 150mm
	5020[H]		Arm length 500mm	Vertical axis 200mm
	5030[H]		Arm length 500mm	Vertical axis 300mm
	6020[H]		Arm length 600mm	Vertical axis 200mm
	6030[H]		Arm length 600mm	Vertical axis 300mm
	7020[H]		Arm length 700mm	Vertical axis 200mm
	7040[H]		Arm length 700mm	Vertical axis 400mm
	8020[H]		Arm length 800mm	Vertical axis 200mm
	8040[H]		Arm length 800mm	Vertical axis 400mm
NSN	5016[H]	High-Speed Type	Arm length 500mm	Vertical axis 160mm
	6016[H]		Arm length 600mm	Vertical axis 160mm
NNW	2515[H]	Dustproof/ Splash-proof Type	Arm length 250mm	Vertical axis 150mm
	3515[H]		Arm length 350mm	Vertical axis 150mm
	5020[H]		Arm length 500mm	Vertical axis 200mm
	5030[H]		Arm length 500mm	Vertical axis 300mm
	6020[H]		Arm length 600mm	Vertical axis 200mm
	6030[H]		Arm length 600mm	Vertical axis 300mm
	7020[H]		Arm length 700mm	Vertical axis 200mm
	7040[H]		Arm length 700mm	Vertical axis 400mm
	8020[H]		Arm length 800mm	Vertical axis 200mm
	8040[H]		Arm length 800mm	Vertical axis 400mm
TNN	3015[H]	Wall Mount type	Arm length 300mm	Vertical axis 150mm
	3515[H]		Arm length 350mm	Vertical axis 150mm
UNN	3015[H]	Wall Mount Inverse Type	Arm length 300mm	Vertical axis 150mm
	3515[H]		Arm length 350mm	Vertical axis 150mm
HNN	5020[H]	Ceiling Mount Type	Arm length 500mm	Vertical axis 200mm
	6020[H]		Arm length 600mm	Vertical axis 200mm
	7020[H]		Arm length 700mm	Vertical axis 200mm
	7040[H]		Arm length 700mm	Vertical axis 400mm
	8020[H]		Arm length 800mm	Vertical axis 200mm
	8040[H]		Arm length 800mm	Vertical axis 400mm
INN	5020[H]	Inverse type	Arm length 500mm	Vertical axis 200mm
	6020[H]		Arm length 600mm	Vertical axis 200mm
	7020[H]		Arm length 700mm	Vertical axis 200mm
	7040[H]		Arm length 700mm	Vertical axis 400mm
	8020[H]		Arm length 800mm	Vertical axis 200mm
	8040[H]		Arm length 800mm	Vertical axis 400mm
NNC	2515[H]	Clean Room Type	Arm length 250mm	Vertical axis 150mm
	3515[H]		Arm length 350mm	Vertical axis 150mm
	5020[H]		Arm length 500mm	Vertical axis 200mm
	5030[H]		Arm length 500mm	Vertical axis 300mm
	6020[H]		Arm length 600mm	Vertical axis 200mm
	6030[H]		Arm length 600mm	Vertical axis 300mm
	7020[H]		Arm length 700mm	Vertical axis 200mm
	7040[H]		Arm length 700mm	Vertical axis 400mm
	8020[H]		Arm length 800mm	Vertical axis 200mm
	8040[H]		Arm length 800mm	Vertical axis 400mm

① Series

Indicate the name of each series.

② Type

Indicate the type (standard/tabletop, high-speed, dustproof/splash-proof, wall-mount, ceiling-mount or clean room), arm length and Z-axis length.

- NNN Standard/TableTop Type
- NSN High-Speed Type
- NNW Dustproof/Splash-proof Type
- TNN Wall Mount type
- UNN Wall Mount Inverse Type
- HNN Ceiling Mount Type
- INN Ceiling Mount Inverse Type
- NNC Clean Room Type

③ Cable length

Indicate the length of cable connecting the robot and the controller. Select from two lengths: 5 m (standard) and 10 m.

④ Applicable controller

Indicate the type of controller to be connected.

T2:XSEL-PX/QX

IX-NNN2515[H]

Small SCARA robot, Standard type
 Arm length 250mm, Vertical axis 150mm
 [High-power specification]



Model items	IX	— NNN2515[H]	—	T2
Series	IX	Type	—	Applicable controller
Standard type				T2: XSEL-PX/QX
Arm length 250mm				
Vertical axis 150mm				
		Cable length		
		5L : 5 m (standard)		
		10L : 10 m		

*For details on the model items, refer to page 8.

Model/Specifications

Model	Axis configuration	Arm length (mm)	Motor capacity (W)	Work envelope	Positioning Repeatability (mm) (Note 1)	PTP operation Maximum operating speed (Note 2)	Standard cycle time (sec) (Note 3)	Load capacity (kg) (Note 4)		Axis 3 (vertical axis) push force (N) (Note 5)		Axis 4 allowable load	
								Rated	Maximum	Maximum limit	Minimum limit	Allowable inertial moment (kg·m ²) (Note 6)	Allowable torque (N·m)
IX-NNN2515[H]-[]-T2	Axis 1 Arm 1	125	200	±120°	±0.010 (XY)	3142mm/s [3191mm/s] (Composite speed)	0.46 [0.40]	1	3	90.9 [111.0]	47.5 [58.0]	0.015	1.9
	Axis 2 Arm 2	125	100	±130°									
	Axis 3 Vertical axis	-	100	150mm	±0.010	1106mm/s [1316mm/s]							
	Axis 4 Rotating axis	-	50	±360°	±0.005	1600°/s							

*In the model number above, specify the cable length in [].

[] indicates the high-power specification type

*SCARA robots cannot operate continuously at 100% speed and acceleration.

For details on the operating conditions, refer to Reference Acceleration/Deceleration Settings on page 44.

Common Specifications

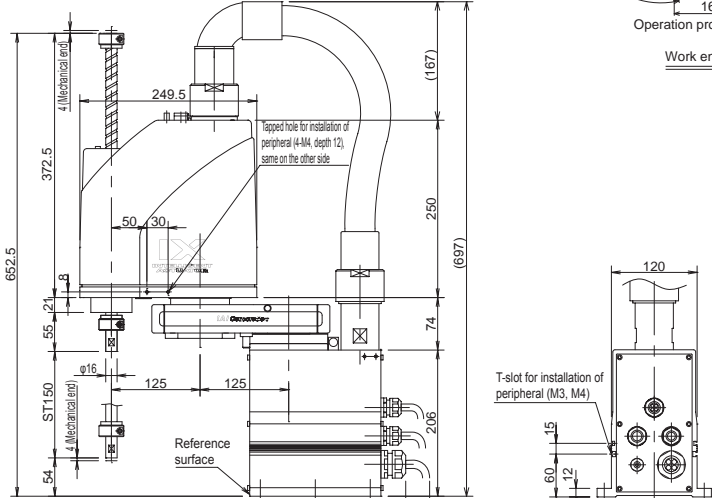
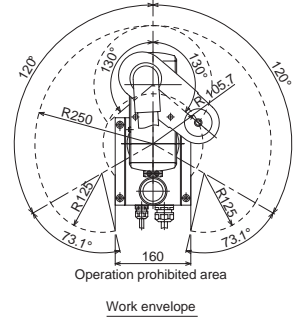
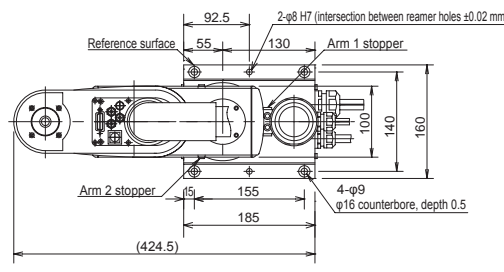
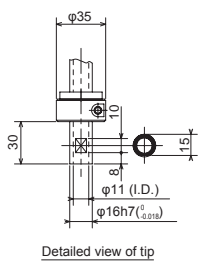
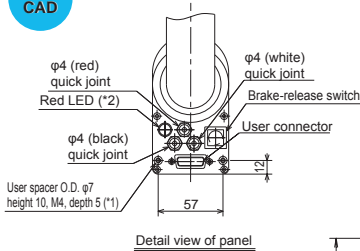
Encoder type	Absolute
User wiring	15-conductor AWG26 D-sub/15-pin connector with shield (socket)
User tubing	Air tube (O.D. ø4, I.D. ø2.5) x 3 (Normal working pressure 0.8 MPa)
Alarm indicator (Note 7)	Small red LED indicator x 1 (24 V DC must be supplied.)
Brake-release switch (Note 8)	Allows remote release of Z-axis (24 VDC required)

Ambient temperature/humidity	Temperature: 0-40 °C, humidity: 20-85%RH or less (no condensation)
Unit weight	17.1Kg
Applicable controller	T2: XSEL-PX/QX
Cable length (Note 9)	5L: 5 m (standard), 10L: 10 m (optional)

Dimensions

The CAD drawings can be downloaded from our Web site.

2D CAD



- *1: The external force applied to a spacer must not exceed 30 N in the axial direction, or 2 N·m in the rotating direction. (for each spacer)
- *2: In order to use the LED, the user must wire it so that it responds to the controller's I/O output signal by supplying 24 V DC to the applicable LED terminal in the user wiring.

- Maintain at 100 mm or more
- Cables/tubes
 - Motor/encoder cable 5 m/10 m
 - Brake power cable 5 m/10 m
- User wiring cable 5 m/10 m
- Air tube (3 pcs) 0.15m

Applicable Controller Specifications

Applicable Controller	Features	Maximum I/O points (inputs/outputs)	Power-supply voltage	Reference page
XSEL-PX-###-2[3]	Maximum 6 axes, 1600 [2400] W supported	192/192 points	Single-Phase [Three-phase] 230 VAC	p. 37
XSEL-QX-###-2[3]	Safety Category 4 supported			

*The SCARA model with high-power specification [H] needs a 2.4 kW three-phase type controller XSEL-PX/QX-###-3.

Caution For explanations of (Note 1) through (Note 9), refer to page 7.

IX-NNN3515[H]

Small SCARA robot, Standard type
Arm length 350mm, Vertical axis 150mm
[High-power specification]



Model items	IX	—	NNN3515[H]	—	□	—	T2
Series	Standard type	Type	Arm length 350mm	Cable length	5L : 5 m (standard) 10L : 10 m	Applicable controller	T2: XSEL-PX/QX
	Vertical axis 150mm						

*For details on the model items, refer to page 8.

Model/Specifications

Model	Axis configuration	Arm length (mm)	Motor capacity (W)	Work envelope	Positioning Repeatability (mm) (Note 1)	PTP operation Maximum operating speed (Note 2)	Standard cycle time (sec) (Note 3)	Load capacity (kg) (Note 4)		Axis 3 (vertical axis) push force (N) (Note 5)		Axis 4 allowable load	
								Rated	Maximum	Maximum limit	Minimum limit	Allowable inertial moment (kg·m ²) (Note 6)	Allowable torque (N·m)
IX-NNN3515[H]-□-T2	Axis 1 Arm 1	225	200	±120°	±0.010 (XY)	3973mm/s [4042mm/s] (Composite speed)	0.53 [0.42]	1	3	90.9 [111.0]	47.5 [58.0]	0.015	1.9
	Axis 2 Arm 2	125	100	±135°									
	Axis 3 Vertical axis	-	100	150mm	±0.010	1106mm/s [1316mm/s]							
	Axis 4 Rotating axis	-	50	±360°	±0.005	1600°/s							

*In the model number above, specify the cable length in □.

[] indicates the high-power specification type

*SCARA robots cannot operate continuously at 100% speed and acceleration. For details on the operating conditions, refer to Reference Acceleration/Deceleration Settings on page 44.

Common Specifications

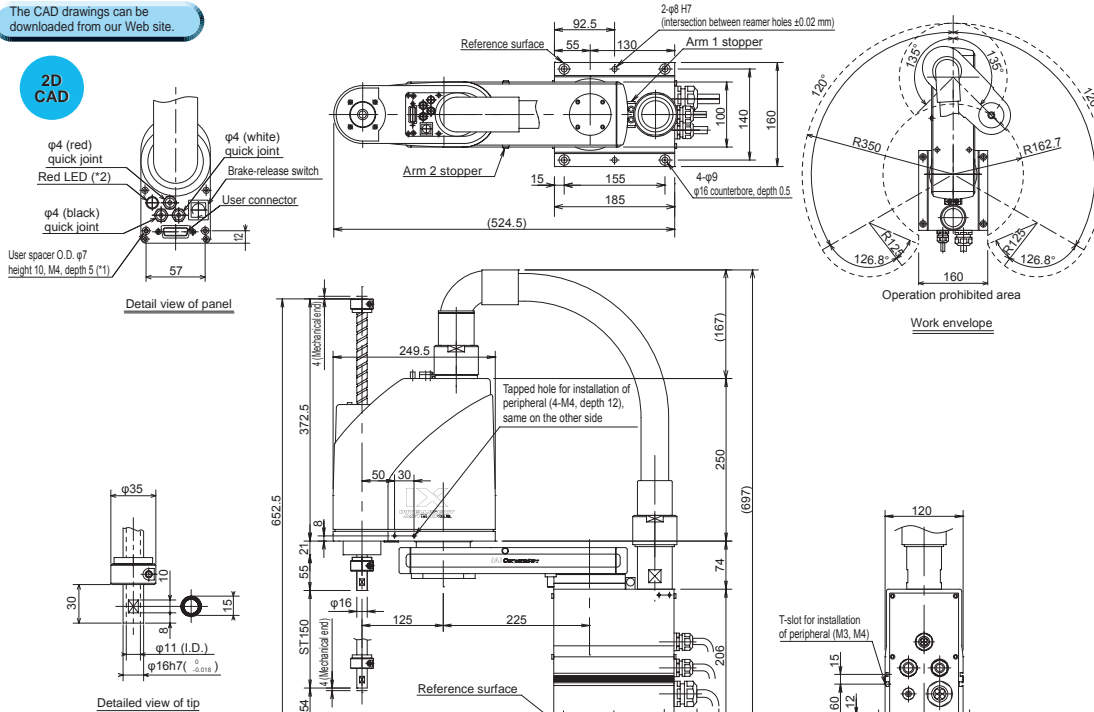
Encoder type	Absolute
User wiring	15-conductor AWG26 D-sub/15-pin connector with shield (socket)
User tubing	Air tube (O.D. φ4, I.D. φ2.5) x 3 (Normal working pressure 0.8 MPa)
Alarm indicator (Note 7)	Small red LED indicator x 1 (24 V DC must be supplied.)
Brake-release switch (Note 8)	Allows remote release of Z-axis (24 VDC required)

Ambient temperature/humidity	Temperature: 0–40 °C, humidity: 20–85%RH or less (no condensation)
Unit weight	18.2Kg
Applicable controller	T2: XSEL-PX/QX
Cable length (Note 9)	5L: 5 m (standard), 10L: 10 m (optional)

Dimensions

The CAD drawings can be downloaded from our Web site.

2D CAD



*1: The external force applied to a spacer must not exceed 30 N in the axial direction, or 2 N·m in the rotating direction. (for each spacer)
*2: In order to use the LED, the user must wire it so that it responds to the controller's I/O output signal by supplying 24 V DC to the applicable LED terminal in the user wiring.

- Cables/tubes
- Motor/encoder cable 5 m/10 m
 - Brake power cable 5 m/10 m
 - User wiring cable 5 m/10 m
 - Air tube (3 pcs) 0.15m

Applicable Controller Specifications

Applicable Controller	Features	Maximum I/O points (inputs/outputs)	Power-supply voltage	Reference page
XSEL-PX-###-2[3]	Maximum 6 axes, 1600 [2400] W supported	192/192 points	Single-phase [Three-phase] 230 VAC	p. 37
XSEL-PX-###-2[3]	Safety Category 4 supported			


*The SCARA model with high-power specification [H] needs a 2.4 kW three-phase type controller XSEL-PX/QX-###-3.

Caution

For explanations of (Note 1) through (Note 9), refer to page 7.

IX-NNN50□□[H]

Medium SCARA robot, Standard type
 Arm length 500mm, Vertical axis 200mm
 (300mm) [High-power specification]



■ Model items **IX — NNN50□□[H] — □ — T2**

Series	Type	Cable length	Applicable controller
NNN5020[H]: Standard [high-power] type Arm length 500mm, Vertical axis 200mm NNN5030[H]: Standard [high-power] type Arm length 500mm, Vertical axis 300mm		5L : 5 m (standard) 10L : 10 m	T2: XSEL-PX/QX

*For details on the model items, refer to page 8.

Model/Specifications

Model	Axis configuration	Arm length (mm)	Motor capacity (W)	Work envelope	Positioning Repeatability (mm) (Note 1)	PTP operation Maximum operating speed (Note 2)	Standard cycle time (sec) (Note 3)	Load capacity (kg) (Note 4)		Axis 3 (vertical axis) push force (N) (Note 5)		Axis 4 allowable load	
								Rated	Maximum	Maximum limit	Minimum limit	Allowable inertial moment (kg·m ²) (Note 6)	Allowable torque (N·m)
IX-NNN5020[H]-□-T2 (IX-NNN5030[H]-□-T2)	Axis 1 Arm 1	250	400	±120°	±0.010 (XY)	6283mm/s [6381mm/s] (Composite speed)	0.44 [0.39]	2	10	152 [181]	78 [93]	0.06	3.3 [3.7]
	Axis 2 Arm 2	250	200	±145°		1393mm/s [1473mm/s]							
	Axis 3 Vertical axis	-	200	200mm (300mm)	±0.010	1200°/s [1857°/s]							
	Axis 4 Rotating axis	-	100	±360°	±0.005								

*In the model number above, specify the cable length in □. □ indicates the high-power specification type. *SCARA robots cannot operate continuously at 100% speed and acceleration. For details on the operating conditions, refer to Reference Acceleration/Deceleration Settings on page 44.

Common Specifications

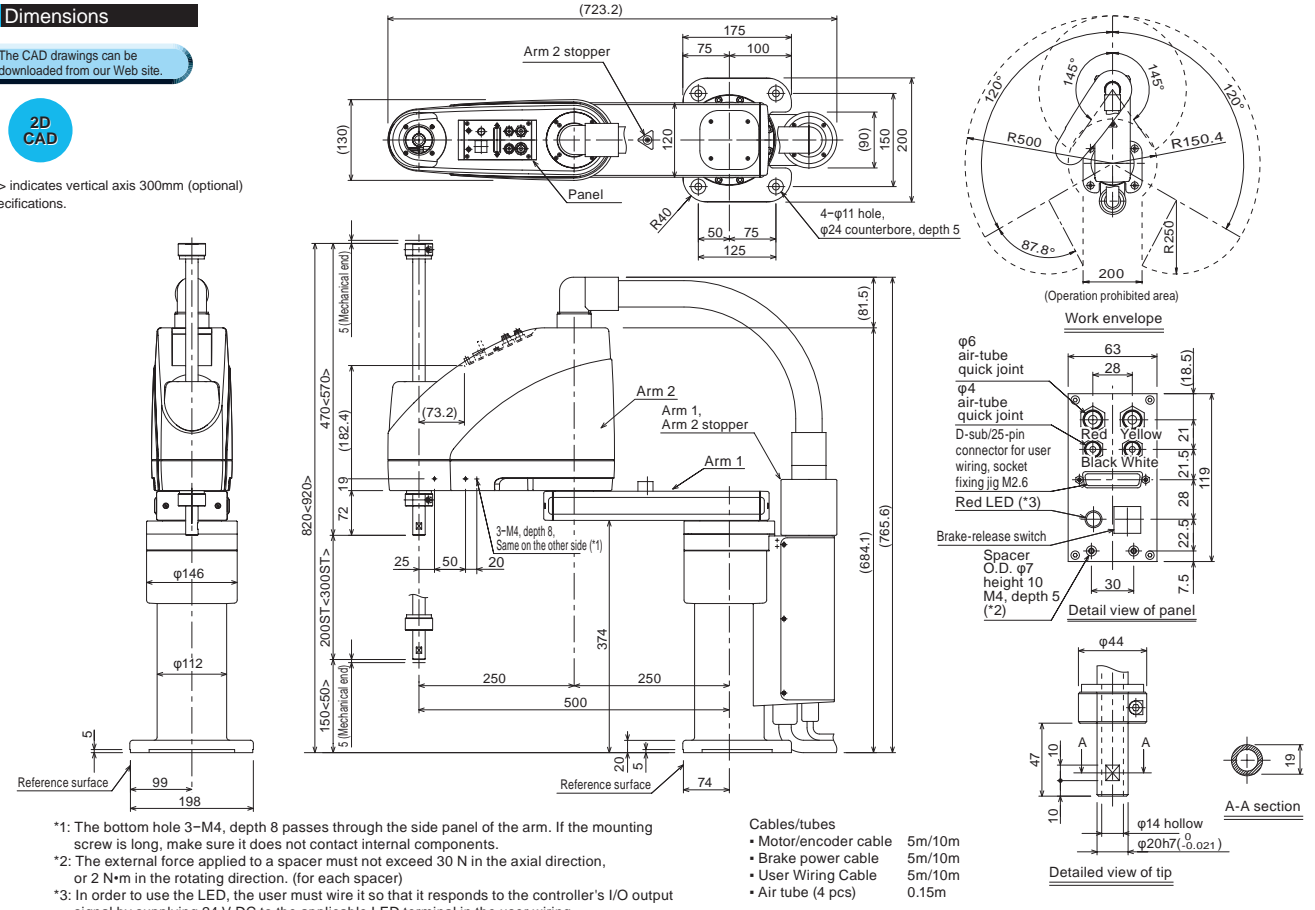
Encoder type	Absolute	Ambient temperature/humidity	Temperature: 0-40 °C, humidity: 20-85%RH or less (no condensation)
User wiring	25-conductor AWG26 D-sub/25-pin connector with shield (socket)	Unit weight	29.5Kg
User tubing	Air tube (O.D. ø6, I.D. ø4) x 2 (Normal working pressure 0.8 MPa) Air tube (O.D. ø4, I.D. ø2.5) x 2 (Normal working pressure 0.8 MPa)	Applicable controller	T2: XSEL-PX/QX
Alarm indicator (Note 7)	Small red LED indicator x 1 (24 V DC must be supplied.)	Cable length (Note 9)	5L: 5 m (standard), 10L: 10 m (optional)
Brake-release switch (Note 8)	Allows remote release of Z-axis (24 VDC required)		

Dimensions

The CAD drawings can be downloaded from our Web site.

2D CAD

* < > indicates vertical axis 300mm (optional) specifications.



Applicable Controller Specifications

Applicable Controller	Features	Maximum I/O points (inputs/outputs)	Power-supply voltage	Reference page
XSEL-PX-###-2[3]	Maximum 6 axes, 1600 [2400] W supported	192/192 points	Single-phase [Three-phase] 230 VAC	p. 37
XSEL-QX-###-2[3]	Safety Category 4 supported			

*The SCARA model with high-power specification [H] needs a 2.4 kW three-phase type controller XSEL-PX/QX-###-3.

Caution For explanations of (Note 1) through (Note 9), refer to page 7.

IX-NNN60□□[H]

Medium SCARA robot, Standard type
 Arm length 600mm, Vertical axis 200mm (300mm) [High-power specification]



Model items	IX	—	NNN60□□[H]	—	□	—	T2
Series	Type		Cable length	Applicable controller			
NNN6020[H]: Standard type Arm length 600mm, Vertical axis 200mm			5L : 5 m (standard)	T2: XSEL-PX/QX			
NNN6030[H]: Standard type Arm length 600mm, Vertical axis 300mm			10L : 10 m				

*For details on the model items, refer to page 8.

Model/Specifications

Model	Axis configuration	Arm length (mm)	Motor capacity (W)	Work envelope	Positioning Repeatability (mm) (Note 1)	PTP operation Maximum operating speed (Note 2)	Standard cycle time (sec) (Note 3)	Load capacity (kg) (Note 4)		Axis 3 (vertical axis) push force (N) (Note 5)		Axis 4 allowable load	
								Rated	Maximum	Maximum limit	Minimum limit	Allowable inertial moment (kg·m ²) (Note 6)	Allowable torque (N·m)
IX-NNN6020[H]-□-T2 (IX-NNN6030[H]-□-T2)	Axis 1 Arm 1	350	400	±120°	±0.010 (XY)	7121mm/s [7232mm/s] (Composite speed)	0.52 [0.43]	2	10	152 [181]	78 [93]	0.06	3.3 [3.7]
	Axis 2 Arm 2	250	200	±145°									
	Axis 3 Vertical axis	-	200	200mm (300mm)	±0.010	1393mm/s [1473mm/s]							
	Axis 4 Rotating axis	-	100	±360°	±0.005	1200°/s [1857°/s]							

*In the model number above, specify the cable length in □.

*□ indicates the high-power specification type

*SCARA robots cannot operate continuously at 100% speed and acceleration. For details on the operating conditions, refer to Reference Acceleration/Deceleration Settings on page 44.

Common Specifications

Encoder type	Absolute
User wiring	25-conductor AWG26 D-sub/25-pin connector with shield (socket)
User tubing	Air tube (O.D. ø6, I.D. ø4) x 2 (Normal working pressure 0.8 MPa) Air tube (O.D. ø4, I.D. ø2.5) x 2 (Normal working pressure 0.8 MPa)
Alarm indicator (Note 7)	Small red LED indicator x 1 (24 V DC must be supplied.)
Brake-release switch (Note 8)	Allows remote release of Z-axis (24 VDC required)

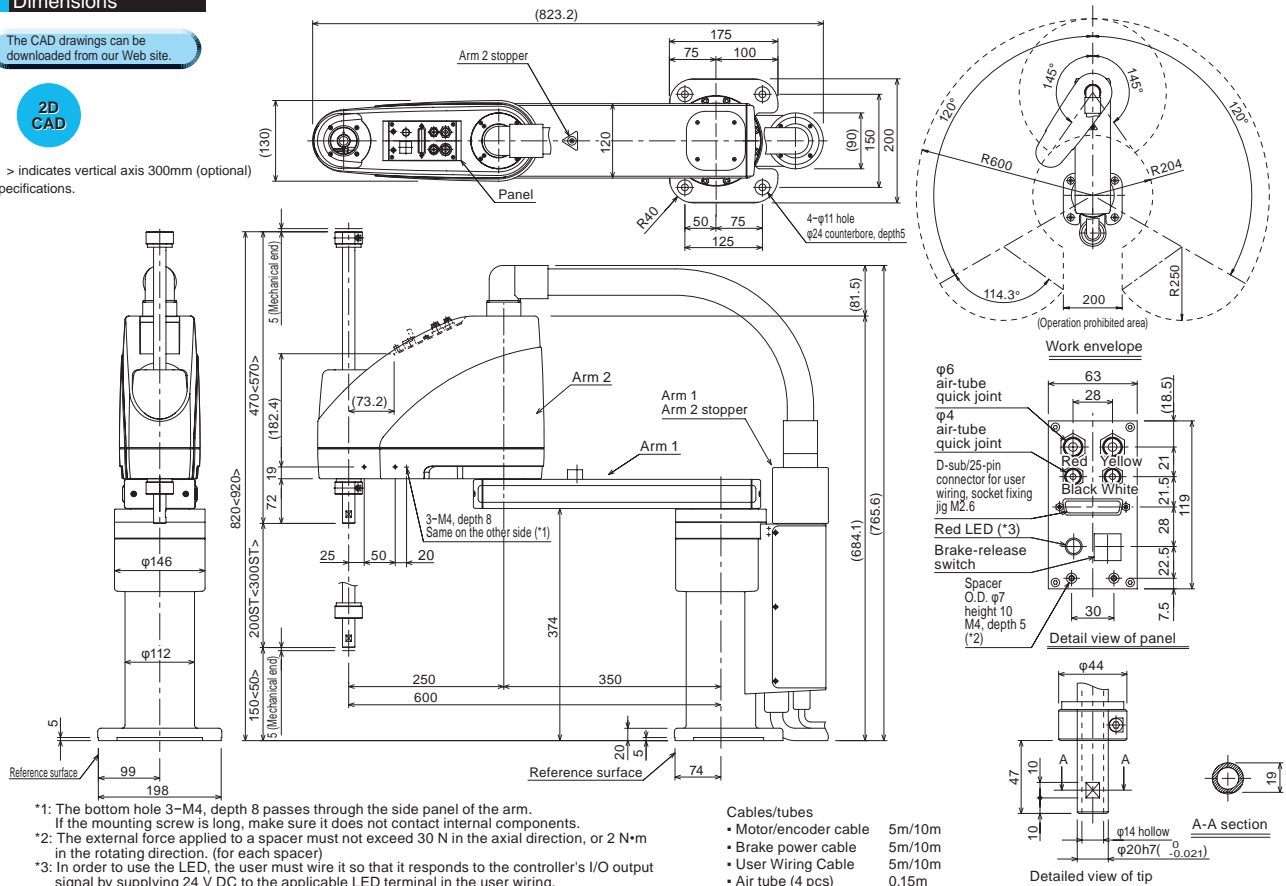
Ambient temperature/humidity	Temperature: 0-40 °C, humidity: 20-85%RH or less (no condensation)
Unit weight	30.5Kg
Applicable controller	T2: XSEL-PX/QX
Cable length (Note 9)	5L: 5 m (standard), 10L: 10 m (optional)

Dimensions

The CAD drawings can be downloaded from our Web site.

2D CAD

* < > indicates vertical axis 300mm (optional) specifications.



Applicable Controller Specifications

Applicable Controller	Features	Maximum I/O points (inputs/outputs)	Power-supply voltage	Reference page
XSEL-PX-###-2[3]	Maximum 6 axes, 1600 [2400] W supported	192/192 points	Single-phase [Three-phase] 230 VAC	p. 37
XSEL-QX-###-2[3]	Safety Category 4 supported			

*The SCARA model with high-power specification [H] needs a 2.4 kW three-phase type controller XSEL-PX/QX-###-3.

Caution

For explanations of (Note 1) through (Note 9), refer to page 7.

IX-NNN70□□[H]

Large SCARA robot, Standard type
Arm length 700mm, Vertical axis 200mm (400mm) [High-power specification]


Model items IX — NNN70□□[H] — □ — T2

Series: NNN7020[H] : Standard type
 Arm length 700mm, Vertical axis 200mm
 NNN7040[H] : Standard type
 Arm length 700mm, Vertical axis 400mm

Type: □

Cable length: 5L : 5 m (standard)
10L : 10 m

Applicable controller: T2: XSEL-PX/QX



*For details on the model items, refer to page 8.

Model/Specifications

Model	Axis configuration		Arm length (mm)	Motor capacity (W)	Work envelope	Positioning Repeatability (mm) (Note 1)	PTP operation Maximum operating speed (Note 2)	Standard cycle time (sec) (Note 3)	Load capacity (kg) (Note 4)		Axis 3 (vertical axis) push force (N) (Note 5)		Axis 4 allowable load	
									Rated	Maximum	Maximum limit	Minimum limit	Allowable inertial moment (kg·m ²) (Note 6)	Allowable torque (N·m)
IX-NNN7020[H]-□-T2 (IX-NNN7040[H]-□-T2)	Axis 1	Arm 1	350	750	±125°	±0.015 (XY)	6597mm/s [7010mm/s] (Composite speed)	0.50 [0.42]	5	20	265 [304]	127.3 [146.0]	0.1	6.7 [11.7]
	Axis 2	Arm 2	350	400	±145°									
	Axis 3	Vertical axis	-	400	200mm (400mm)	±0.010	1583mm/s [1614mm/s]							
	Axis 4	Rotating axis	-	200	±360°	±0.005	1200°/s [1266°/s]							

*In the model number above, specify the cable length in □.

*[] indicates the high-power specification type

*SCARA robots cannot operate continuously at 100% speed and acceleration. For details on the operating conditions, refer to Reference Acceleration/Deceleration Settings on page 44.

Common Specifications

Encoder type	Absolute
User wiring	25-conductor AWG26 D-sub/25-pin connector with shield (socket)
User tubing	Air tube (O.D. ø6, I.D. ø4) x 2 (Normal working pressure 0.8 MPa) Air tube (O.D. ø4, I.D. ø2.5) x 2 (Normal working pressure 0.8 MPa)
Alarm indicator (Note 7)	Small red LED indicator x 1 (24 V DC must be supplied.)
Brake-release switch (Note 8)	Allows remote release of Z-axis (24 VDC required)

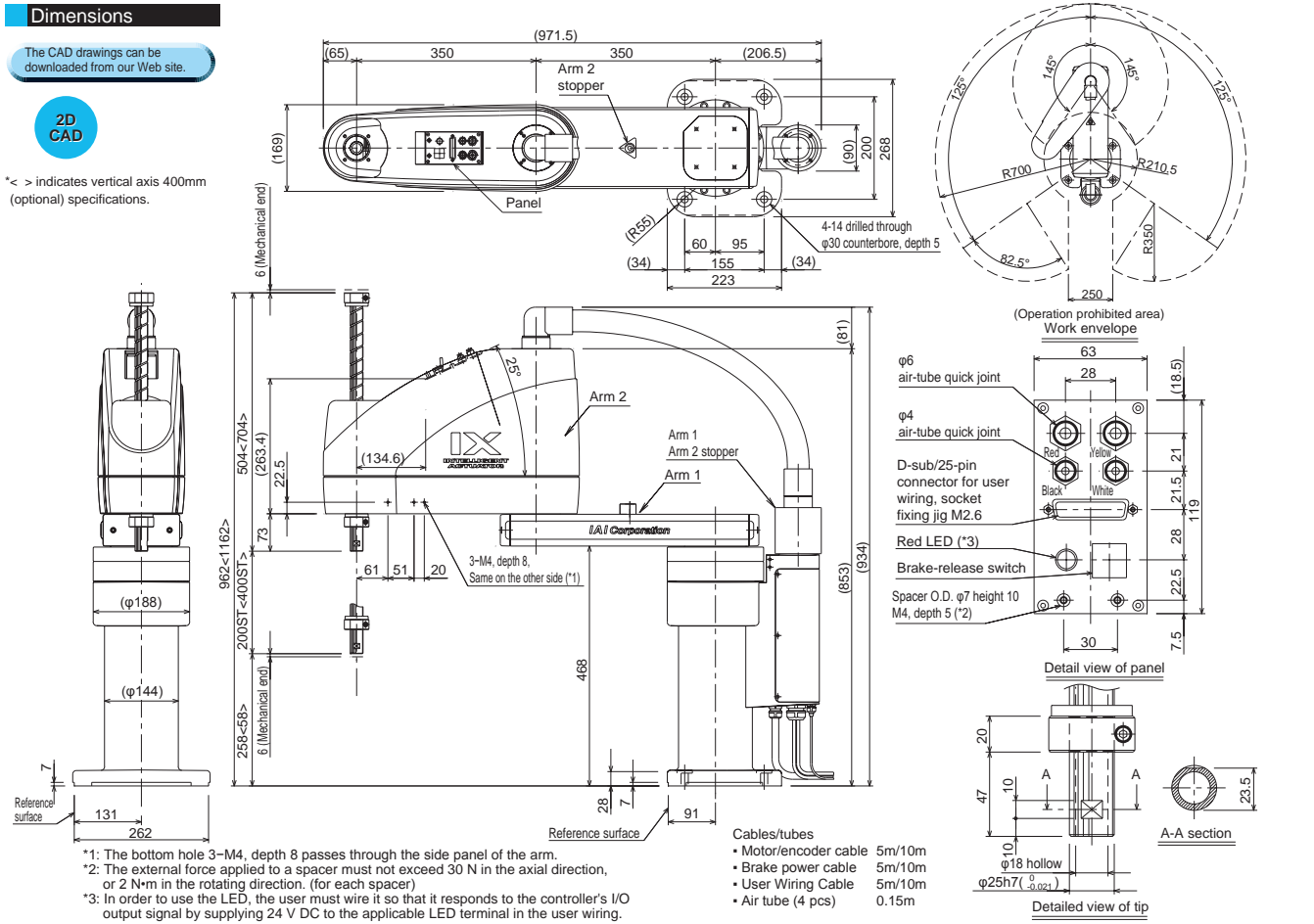
Ambient temperature/humidity	Temperature: 0-40 °C, humidity: 20-85%RH or less (no condensation)
Unit weight	58Kg
Applicable controller	T2: XSEL-PX/QX
Cable length (Note 9)	5L: 5 m (standard), 10L: 10 m (optional)

Dimensions

The CAD drawings can be downloaded from our Web site.



*< > indicates vertical axis 400mm (optional) specifications.



Applicable Controller Specifications

Applicable Controller	Features	Maximum I/O points (inputs/outputs)	Power-supply voltage	Reference page
XSEL-PX-###-2[3]	Maximum 5 axes, 1600 [2400] W supported	192/192 points	Single-phase [Three-phase] 230 VAC	p. 37
XSEL-QX-###-2[3]	Safety Category 4 supported			

*The SCARA model with high-power specification [H] needs a 2.4 kW three-phase type controller XSEL-PX/QX-###-3.

⚠ Caution

For explanations of (Note 1) through (Note 9), refer to page 7.

IX-NNN80□□[H]

Large SCARA robot, Standard type
Arm length 800mm, Vertical axis 200mm (400mm) [High-power specification]



Model items	IX — NNN80□□[H] — □ — T2		
Series	Type	Cable length	Applicable controller
NNN8020[H] : Standard type Arm length 800mm, Vertical axis 200mm NNN8040[H] : Standard type Arm length 800mm, Vertical axis 400mm		5L : 5 m (standard) 10L : 10 m	T2: XSEL-PX/QX

*For details on the model items, refer to page 8.

Model/Specifications

Model	Axis configuration	Arm length (mm)	Motor capacity (W)	Work envelope	Positioning Repeatability (mm) (Note 1)	PTP operation Maximum operating speed (Note 2)	Standard cycle time (sec) (Note 3)	Load capacity (kg) (Note 4)		Axis 3 (vertical axis) push force (N) (Note 5)		Axis 4 allowable load	
								Rated	Maximum	Maximum limit	Minimum limit	Allowable inertial moment (kg·m ²) (Note 6)	Allowable torque (N·m)
IX-NNN8020[H]-[□]-T2 (IX-NNN8040[H]-[□]-T2)	Axis 1 Arm 1	450	750	±125°	±0.015 (XY)	7121mms [7586mm/s] (Composite speed)	0.52 [0.43]	5	20	265 [304]	127.3 [146.0]	0.1	6.7 [11.7]
	Axis 2 Arm 2	350	400	±145°									
	Axis 3 Vertical axis	-	400	200mm (400mm)	±0.010	1583mm/s [1614mm/s]							
	Axis 4 Rotating axis	-	200	±360°	±0.005	1200°/s [1266°/s]							

*In the model number above, specify the cable length in [□].

[] indicates the high-power specification type

*SCARA robots cannot operate continuously at 100% speed and acceleration. For details on the operating conditions, refer to Reference Acceleration/Deceleration Settings on page 44.

Common Specifications

Encoder type	Absolute
User wiring	25-conductor AWG26 D-sub/25-pin connector with shield (socket)
User tubing	Air tube (O.D. ø6, I.D. ø4) x 2 (Normal working pressure 0.8 MPa) Air tube (O.D. ø4, I.D. ø2.5) x 2 (Normal working pressure 0.8 MPa)
Alarm indicator (Note 7)	Small red LED indicator x 1 (24 V DC must be supplied.)
Brake-release switch (Note 8)	Allows remote release of Z-axis (24 VDC required)

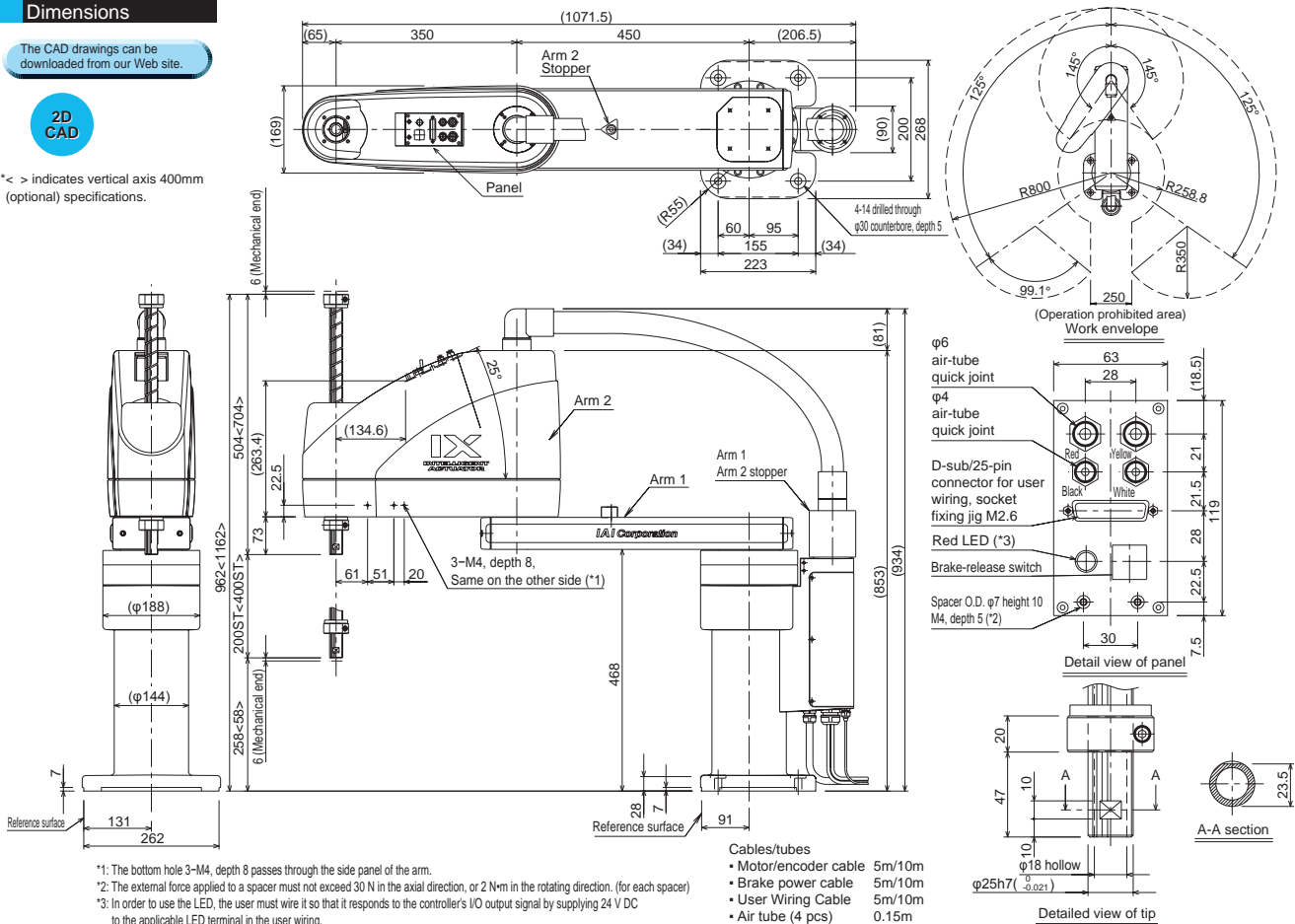
Ambient temperature/humidity	Temperature: 0-40 °C, humidity: 20-85%RH or less (no condensation)
Unit weight	60Kg
Applicable controller	T2: XSEL-PX/QX
Cable length (Note 9)	5L: 5 m (standard), 10L: 10 m (optional)

Dimensions

The CAD drawings can be downloaded from our Web site.



* < > indicates vertical axis 400mm (optional) specifications.



Applicable Controller Specifications

Applicable Controller	Features	Maximum I/O points (inputs/outputs)	Power-supply voltage	Reference page
XSEL-PX-###-2[3]	Maximum 5 axes, 1600 [2400] W supported	192/192 points	Single-phase [Three-phase] 230 VAC	p. 37
XSEL-PX-###-2[3]	Safety Category 4 supported			

*The SCARA model with high-power specification [H] needs a 2.4 kW three-phase type controller XSEL-PX/QX-###-3.



For explanations of (Note 1) through (Note 9), refer to page 7.

IX-NSN5016[H]

Medium SCARA robot, High-speed type
 Arm length 500mm, Vertical axis 160mm
 [High-power specification]



Model items	IX	NSN5016[H]	<input type="checkbox"/>	T2
Series	High-speed type	Type	Cable length	Applicable controller
	Arm length 500mm		5L :5 m (standard) 10L :10 m	T2: XSEL-PX/QX
	Vertical axis 160mm			

Model/Specifications

Model	Axis configuration	Arm length (mm)	Motor capacity (W)	Work envelope	Positioning Repeatability (mm) (Note 1)	PTP operation Maximum operating speed (Note 2)	Standard cycle time (sec) (Note 3)	Load capacity (kg) (Note 4)		Axis 3 (vertical axis) push force (N) (Note 5)		Axis 4 allowable load	
								Rated	Maximum	Maximum limit	Minimum limit	Allowable inertial moment (kg·m ²) (Note 6)	Allowable torque (N·m)
IX-NSN5016[H]- <input type="checkbox"/> -T2	Axis 1 Arm 1	250	750	±120°	±0.010 (XY)	4712mm/s [5007mm/s] (Composite speed)	0.29 [0.28] range	1	3	190 [196.0]	112.4 [116.0]	0.015	2.2 [3.7]
	Axis 2 Arm 2	250	600	±145°									
	Axis 3 Vertical axis	-	200	160mm	±0.010	1085mm/s [1304mm/s]							
	Axis 4 Rotating axis	-	100	±360°	±0.010	1800°/s [1857°/s]							

*In the model number above, specify the cable length in .

*[] indicates the high-power specification type

*SCARA robots cannot operate continuously at 100% speed and acceleration. For details on the operating conditions, refer to Reference Acceleration/Deceleration Settings on page 44.

Common Specifications

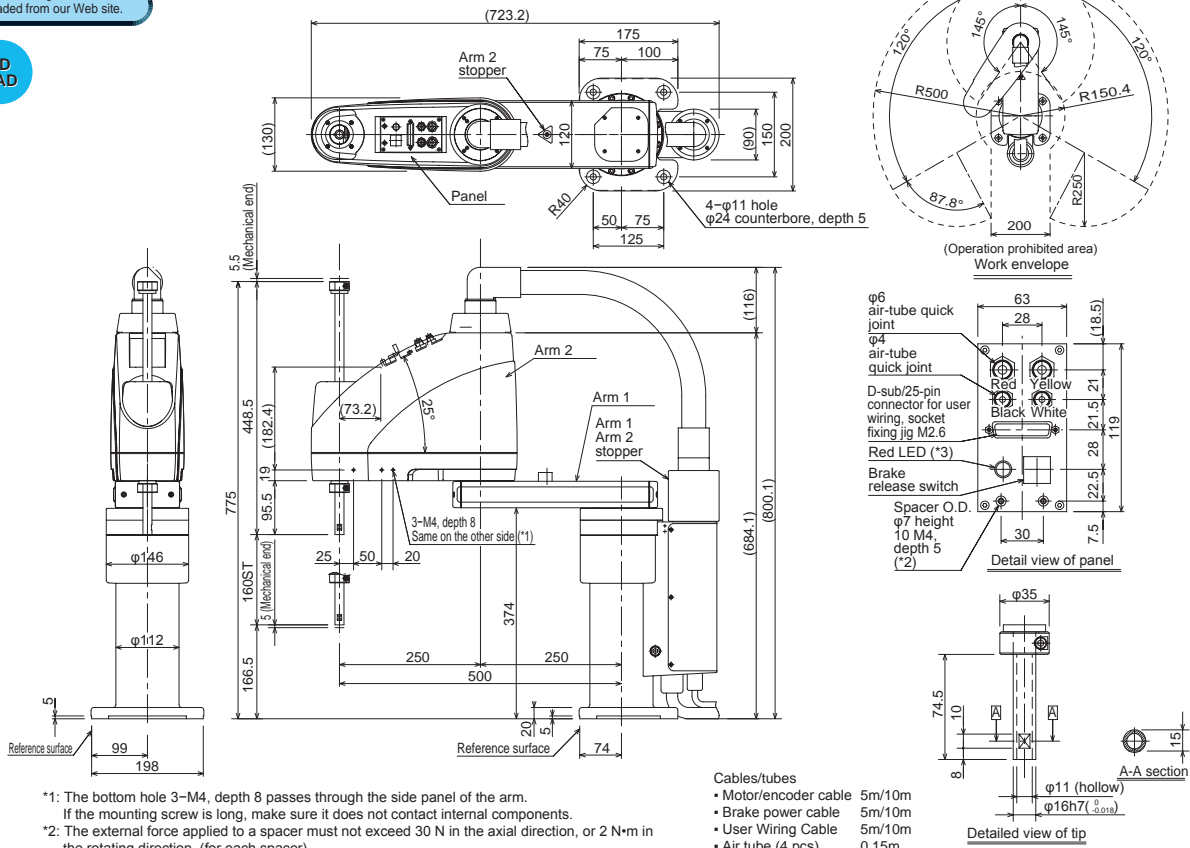
Encoder type	Absolute
User wiring	25-conductor AWG26 D-sub/25-pin connector with shield (socket)
User tubing	Air tube (O.D. ø6, I.D. ø4) x 2 (Normal working pressure 0.8 MPa)
	Air tube (O.D. ø4, I.D. ø2.5) x 2 (Normal working pressure 0.8 MPa)
Alarm indicator (Note 7)	Small red LED indicator x 1 (24 V DC must be supplied.)
Brake-release switch (Note 8)	Allows remote release of Z-axis (24 VDC required)

Ambient temperature/humidity	Temperature: 0-40 °C, humidity: 20-85%RH or less (no condensation)
Unit weight	32Kg
Applicable controller	T2: XSEL-PX/QX
Cable length (Note 9)	5L: 5 m (standard), 10L: 10 m (optional)

Dimensions

The CAD drawings can be downloaded from our Web site.

2D CAD



- *1: The bottom hole 3-M4, depth 8 passes through the side panel of the arm. If the mounting screw is long, make sure it does not contact internal components.
- *2: The external force applied to a spacer must not exceed 30 N in the axial direction, or 2 N·m in the rotating direction. (for each spacer)
- *3: In order to use the LED, the user must wire it so that it responds to the controller's I/O output signal by supplying 24 V DC to the applicable LED terminal in the user wiring.

Applicable Controller Specifications

Applicable Controller	Features	Maximum I/O points (inputs/outputs)	Power-supply voltage	Reference page
XSEL-PX-###-2[3]	Maximum 4 SCARA axes, 1600 [2400] W supported	192/192 points	Single-phase [Three-phase] 230 VAC	p. 37
XSEL-QX-###-2[3]	Safety Category 4 supported			

*The SCARA model with high-power specification [H] needs a 2.4 kW three-phase type controller XSEL-PX/QX-###-3.
 **When operating the high-speed type, a single-axis robot as 5th or 6th axis cannot be connected.

Caution For explanations of (Note 1) through (Note 9), refer to page 7.

IX-NSN6016[H] Medium SCARA robot, High-speed type Arm length 600mm, Vertical axis 160mm [High-power specification]



Model items	IX — NSN6016[H] — — T2		
Series	Type	Cable length	Applicable controller
High-speed type		5L : 5 m (standard)	T2: XSEL-PX/QX
Arm length 600mm		10L : 10 m	
Vertical axis 160mm			

*For details on the model items, refer to page 8.

Model/Specifications

Model	Axis configuration	Arm length (mm)	Motor capacity (W)	Work envelope	Positioning Repeatability (mm) (Note 1)	PTP operation Maximum operating speed (Note 2)	Standard cycle time (sec) (Note 3)	Load capacity (kg) (Note 4)		Axis 3 (vertical axis) push force (N) (Note 5)		Axis 4 allowable load	
								Rated	Maximum	Maximum limit	Minimum limit	Allowable inertial moment (kg·m ²) (Note 6)	Allowable torque (N·m)
IX-NSN6016[H]- T -T2	Axis 1 Arm 1	350	750	±120°	±0.010 (XY)	5236mm/s [5583mm/s (Composite speed)]	0.29 [0.28] range	1	3	190 [196.0]	112.4 [116.0]	0.015	2.2 [3.7]
	Axis 2 Arm 2	250	600	±145°		1085mm/s [1304mm/s]							
	Axis 3 Vertical axis	-	200	160mm	±0.010	1800°/s [1857°/s]							
	Axis 4 Rotating axis	-	100	±360°	±0.010								

*In the model number above, specify the cable length in T.

[] indicates the high-power specification type

*SCARA robots cannot operate continuously at 100% speed and acceleration. For details on the operating conditions, refer to Reference Acceleration/Deceleration Settings on page 44.

Common Specifications

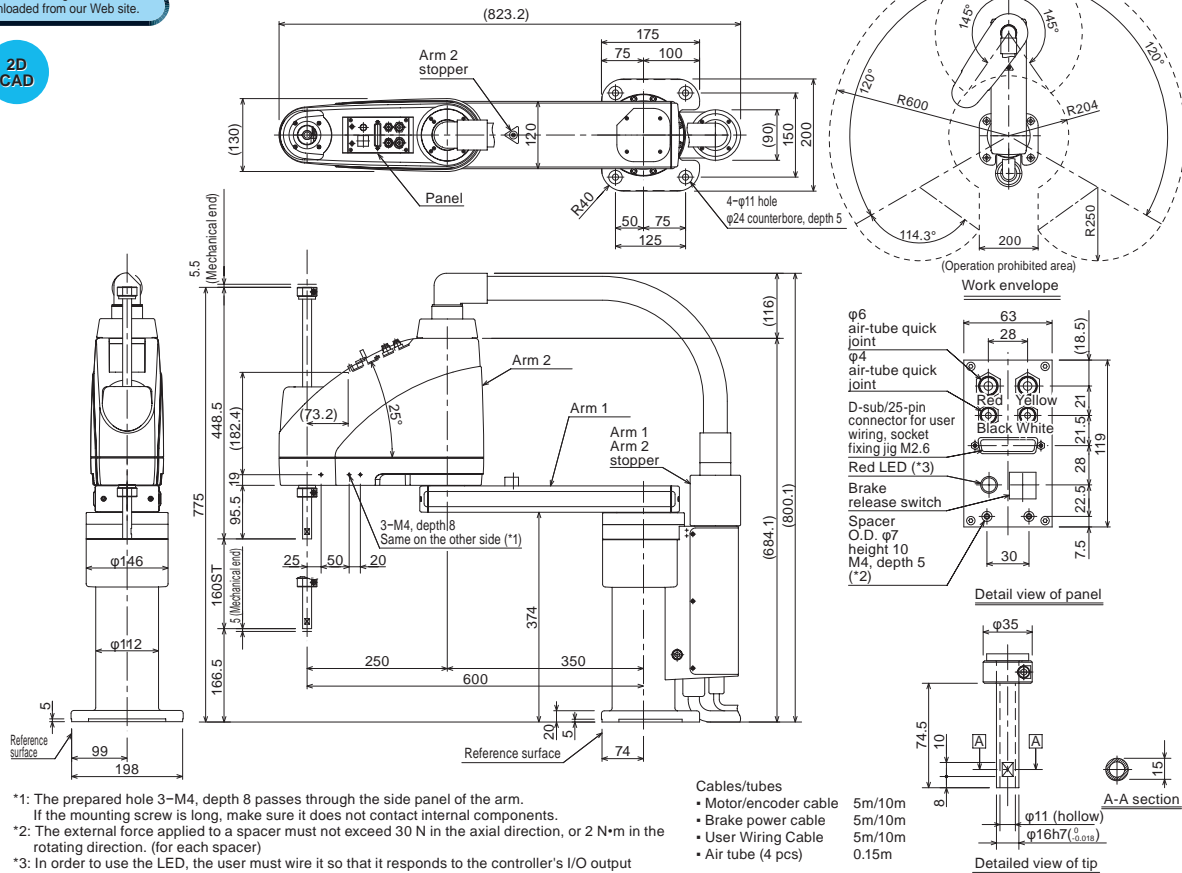
Encoder type	Absolute
User wiring	25-conductor AWG26 D-sub/25-pin connector with shield (socket)
User tubing	Air tube (O.D. ø6, I.D. ø4) x 2 (Normal working pressure 0.8 MPa) Air tube (O.D. ø4, I.D. ø2.5) x 2 (Normal working pressure 0.8 MPa)
Alarm indicator (Note 7)	Small red LED indicator x 1 (24 V DC must be supplied.)
Brake-release switch (Note 8)	Allows remote release of Z-axis (24 VDC required)

Ambient temperature/humidity	Temperature: 0–40 °C, humidity: 20–85%RH or less (no condensation)
Unit weight	33Kg
Applicable controller	T2: XSEL-PX/QX
Cable length (Note 9)	5L: 5 m (standard), 10L: 10 m (optional)

Dimensions

The CAD drawings can be downloaded from our Web site.

2D CAD



- *1: The prepared hole 3-M4, depth 8 passes through the side panel of the arm. If the mounting screw is long, make sure it does not contact internal components.
- *2: The external force applied to a spacer must not exceed 30 N in the axial direction, or 2 N·m in the rotating direction. (for each spacer)
- *3: In order to use the LED, the user must wire it so that it responds to the controller's I/O output signal by supplying 24 V DC to the applicable LED terminal in the user wiring.

Applicable Controller Specifications

Applicable Controller	Features	Maximum I/O points (inputs/outputs)	Power-supply voltage	Reference page
XSEL-PX-###-2[3]	Maximum 4 SCARA axes, 1600 [2400] W supported	192/192 points	Single-phase [Three-phase] 230 VAC	p. 37
XSEL-QX-###-2[3]	Safety Category 4 supported			

*The SCARA model with high-power specification [H] needs a 2.4 kW three-phase type controller XSEL-PX/QX-###-3.
 **When operating the high-speed type, a single-axis robot as 5th or 6th axis cannot be connected.

Caution

For explanations of (Note 1) through (Note 9), refer to page 7.

IX-NNW2515[H]

Small SCARA robot, Dustproof/Splash-proof type
 Arm length 250mm, Vertical axis 150mm
 [High-power specification]



Model items	IX	— NNW2515[H]	—	—	T2
Series		Type	Cable length	Applicable controller	
	Dustproof/Splash-proof type		5L : 5 m (standard) 10L : 10 m	T2: XSEL-PX/QX	
	Arm length 250mm, Vertical axis 150mm				

*For details on the model items, refer to page 8.

Model/Specifications

Model	Axis configuration	Arm length (mm)	Motor capacity (W)	Work envelope	Positioning Repeatability (mm) (Note 1)	PTP operation Maximum operating speed (Note 2)	Standard cycle time (sec) (Note 3)	Load capacity (kg) (Note 4)		Axis 3 (vertical axis) push force (N) (Note 5)		Axis 4 allowable load	
								Rated	Maximum	Maximum limit	Minimum limit	Allowable inertial moment (kg·m ²) (Note 6)	Allowable torque (N·m)
IX-NNW2515[H]- ^① T2	Axis 1 Arm 1	125	200	±120°	±0.010 (XY)	3142mm/s [3191mm/s] (Composite speed)	0.51 [0.45]	1	3	90.9 [111.0]	47.5 [58.0]	0.015	1.9
	Axis 2 Arm 2	125	100	±130°									
	Axis 3 Vertical axis	-	100	150mm	±0.010	1106mm/s [1316mm/s]							
	Axis 4 Rotating axis	-	50	±360°	±0.005	1600°/s							

*In the model number above, specify the cable length in ^①.

*^① indicates the high-power specification type

*SCARA robots cannot operate continuously at 100% speed and acceleration.

For details on the operating conditions, refer to Reference Acceleration/Deceleration Settings on page 44.

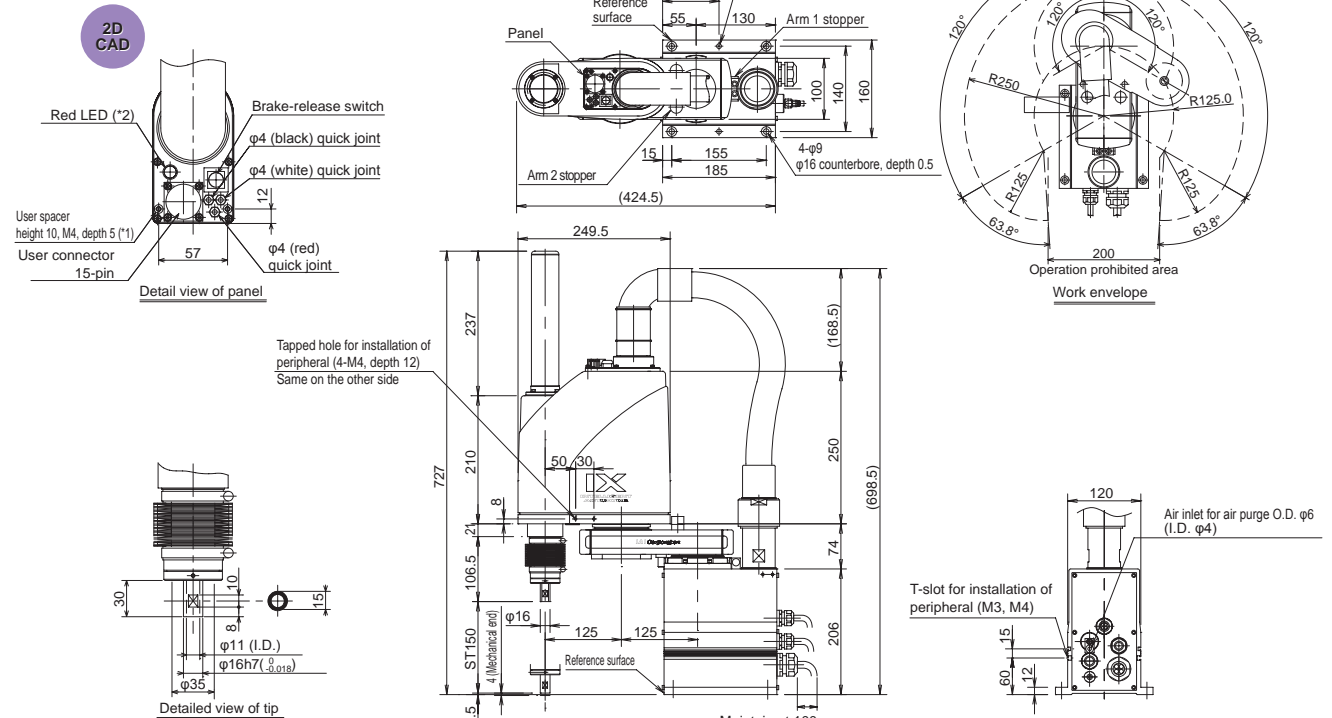
Common Specifications

Encoder type	Absolute
User wiring	15-conductor AWG26 waterproof connector with shield
User tubing	Air tube (O.D. ϕ 4, I.D. ϕ 2.5) x 3 (Normal working pressure 0.8 MPa)
Alarm indicator (Note 7)	Small red LED indicator x 1 (24 V DC must be supplied.)
Brake-release switch (Note 8)	Allows remote release of Z-axis (24 VDC required)

Ambient temperature/humidity	Temperature: 0–40 °C, humidity: 20–85%RH or less (no condensation)
Unit weight	21Kg
Applicable controller	T2: XSEL-PX/QX
Cable length (Note 9)	5L: 5 m (standard), 10L: 10 m (optional)
Protective structure	IP65 or equivalent
Air purge pressure (Note 10)	0.3 MPa or more (0.6 MPa maximum) (Clean, dry air)

Dimensions

The CAD drawings can be downloaded from our Web site.



*1: The external force applied to a spacer must not exceed 30 N in the axial direction, or 2 N·m in the rotating direction. (for each spacer)

*2: In order to use the LED, the user must wire it so that it responds to the controller's I/O output signal by supplying 24 V DC to the applicable LED terminal in the user wiring.

Applicable Controller Specifications

Applicable Controller	Features	Maximum I/O points (inputs/outputs)	Power-supply voltage	Reference page
XSEL-PX-###-2[3]	Maximum 6 axes, 1600 [2400] W supported	192/192 points	Single-Phase [Three-phase] 230 VAC	p. 37
XSEL-QX-###-2[3]	Safety Category 4 supported			

*The SCARA model with high-power specification [H] needs a 2.4 kW three-phase type controller XSEL-PX/QX-###-3.



Caution

For explanations of (Note 1) through (Note 9), refer to page 7. (Note 10) Increase the air purge pressure to a range between 0.3 and 0.6 MPa until immediately before the bellows starts to inflate, and adjust the flow rate using the speed controller.

As a purge medium, use clean, dry air free from compressor oil or other contaminants, conforming to an air filtration rating of 10 μ m or less.

IX-NNW3515[H]

Small SCARA robot, Dustproof/Splash-proof type
 Arm length 350mm, Vertical axis 150mm
 [High-power specification]



Model items	IX — NNW3515[H]	□	T2
Series	Type	Cable length	Applicable controller
Dustproof/Splash-proof type	5L : 5 m (standard)	10L: 10 m	T2: XSEL-PX/QX
Arm length 350mm,			
Vertical axis 150mm			

*For details on the model items, refer to page 8.

Model/Specifications

Model	Axis configuration	Arm length (mm)	Motor capacity (W)	Work envelope	Positioning Repeatability (mm) (Note 1)	PTP operation Maximum operating speed (Note 2)	Standard cycle time (sec) (Note 3)	Load capacity (kg) (Note 4)		Axis 3 (vertical axis) push force (N) (Note 5)		Axis 4 allowable load	
								Rated	Maximum	Maximum limit	Minimum limit	Allowable inertial moment (kg·m ²) (Note 6)	Allowable torque (N·m)
IX-NNW3515[H]-□-T2	Axis 1 Arm 1	225	200	±120°	±0.010 (XY)	3973mm/s [4042mm/s] (Composite speed)	0.59 [0.47]	1	3	90.9 [111.0]	47.5 [58.0]	0.015	1.9
	Axis 2 Arm 2	125	100	±135°									
	Axis 3 Vertical axis	-	100	150mm	±0.010	1106mm/s [1316mm/s]							
	Axis 4 Rotating axis	-	50	±360°	±0.005	1600°/s							

*In the model number above, specify the cable length in □.

[] indicates the high-power specification type

*SCARA robots cannot operate continuously at 100% speed and acceleration. For details on the operating conditions, refer to Reference Acceleration/Deceleration Settings on page 44.

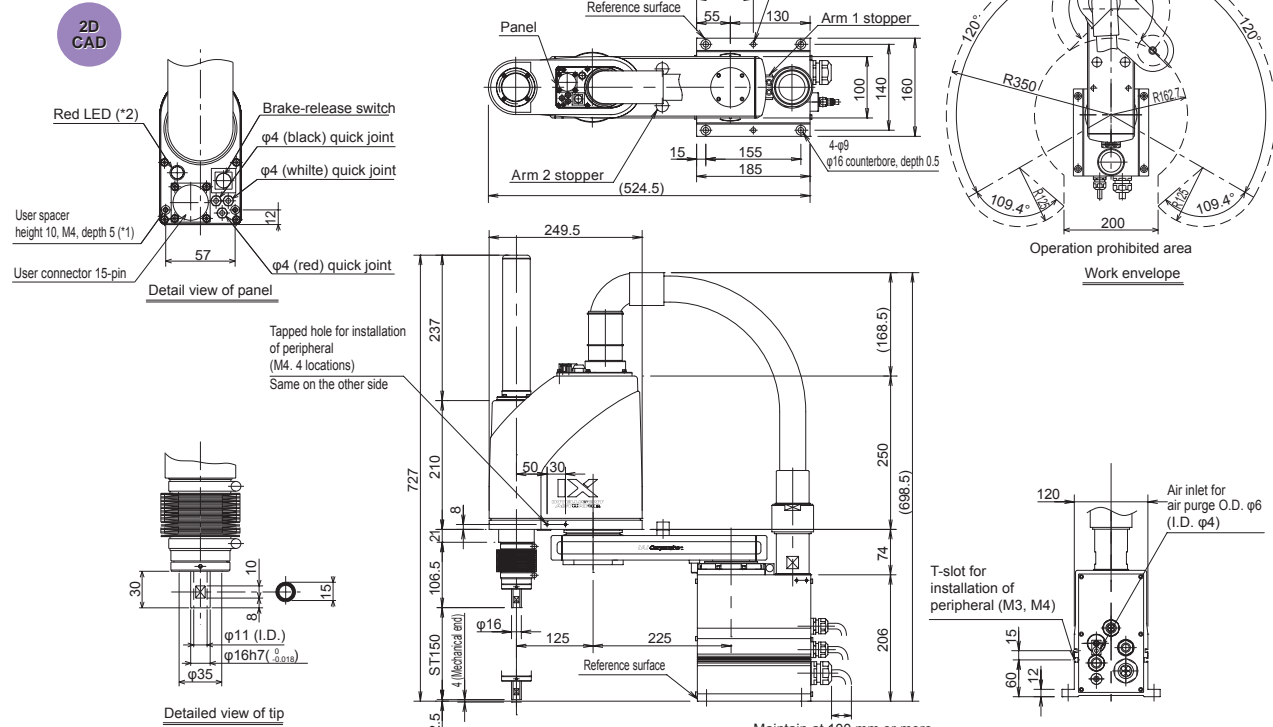
Common Specifications

Encoder type	Absolute
User wiring	15-conductor AWG26 waterproof connector with shield
User tubing	Air tube (O.D. φ4, I.D. φ2.5) x 3 (Normal working pressure 0.8 MPa)
Alarm indicator (Note 7)	Small red LED indicator x 1 (24 V DC must be supplied.)
Brake-release switch (Note 8)	Allows remote release of Z-axis (24 VDC required)

Ambient temperature/humidity	Temperature: 0-40 °C, humidity: 20-85%RH or less (no condensation)
Unit weight	22Kg
Applicable controller	T2: XSEL-PX/QX
Cable length (Note 9)	5L: 5 m (standard), 10L: 10 m (optional)
Protective structure	IP65 or equivalent
Air purge pressure (Note 10)	0.3 MPa or more (0.6 MPa maximum) (Clean, dry air)

Dimensions

The CAD drawings can be downloaded from our Web site.



- *1: The external force applied to a spacer must not exceed 30 N in the axial direction, or 2 N·m in the rotating direction. (for each spacer)
- *2: In order to use the LED, the user must wire it so that it responds to the controller's I/O output signal by supplying 24 V DC to the applicable LED terminal in the user wiring.

- Cables/tubes
- Motor/encoder cable 5m/10m
- Brake power cable 5m/10m
- User Wiring Cable 5m/10m
- Air tube (4 pcs) 0.15m

Applicable Controller Specifications

Applicable Controller	Features	Maximum I/O points (inputs/outputs)	Power-supply voltage	Reference page
XSEL-PX-###-2[3]	Maximum 6 axes, 1600 [2400] W supported	192/192 points	Single-phase [Three-phase] 230 VAC	p. 37
XSEL-QX-###-2[3]	Safety Category 4 supported			

*The SCARA model with high-power specification [H] needs a 2.4 kW three-phase type controller XSEL-PX/QX-###-3.

Caution

For explanations of (Note 1) through (Note 9), refer to page 7.
 (Note 10) Increase the air purge pressure to a range between 0.3 and 0.6 MPa until immediately before the bellows starts to inflate, and adjust the flow rate using the speed controller.
 As a purge medium, use clean, dry air free from compressor oil or other contaminants, conforming to an air filtration rating of 10 μm or less.

IX-NNW50□□[H]

Medium SCARA robot, Dustproof/Splash-proof type
 Arm length 500mm, Vertical axis 200mm (300mm) [High-power specification]



Model items IX — NNW50□□[H] — □ — T2

Series	Type	Cable length	Applicable controller
NNW5020[H]: Arm length 500mm, Vertical axis 200mm		5L : 5 m (standard)	T2: XSEL-PX/QX
NNW5030[H]: Arm length 500mm, Vertical axis 300mm		10L: 10 m	

*For details on the model items, refer to page 8.

Model/Specifications

Model	Axis configuration	Arm length (mm)	Motor capacity (W)	Work envelope	Positioning Repeatability (mm) (Note 1)	PTP operation Maximum operating speed (Note 2)	Standard cycle time (sec) (Note 3)	Load capacity (kg) (Note 4)		Axis 3 (vertical axis) push force (N) (Note 5)		Axis 4 allowable load	
								Rated	Maximum	Maximum limit	Minimum limit	Allowable inertial moment (kg·m ²) (Note 6)	Allowable torque (N·m)
IX-NNW5020[H]-[]-T2 (IX-NNW5030[H]-[]-T2)	Axis 1 Arm 1	250	400	±120°	±0.010 (XY)	6283mm/s [6381mm/s] (Composite speed)	0.49 [0.43]	2	10	152 [181]	78 [93]	0.06	3.3 [3.7]
	Axis 2 Arm 2	250	200	±145°									
	Axis 3 Vertical axis	-	200	200mm (300mm)	±0.010	1393mm/s [1473mm/s]							
	Axis 4 Rotating axis	-	100	±360°	±0.005	1200°/s [1857°/s]							

*In the model number above, specify the cable length in [].

[] indicates the high-power specification type

*SCARA robots cannot operate continuously at 100% speed and acceleration. For details on the operating conditions, refer to Reference Acceleration/Deceleration Settings on page 44.

Common Specifications

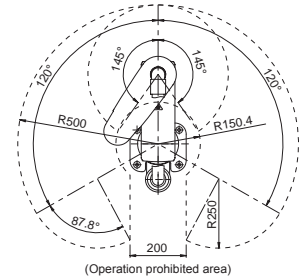
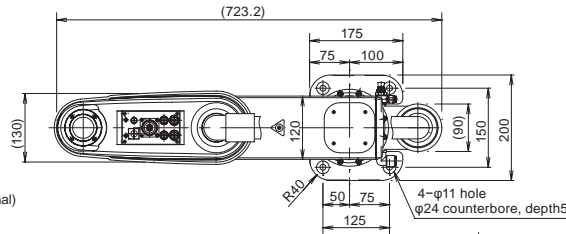
Encoder type	Absolute
User wiring	23-conductor AWG26 waterproof connector with shield
User tubing	Air tube (O.D. ø6, I.D. ø4) x 2 (Normal working pressure 0.8 MPa)
	Air tube (O.D. ø4, I.D. ø2.5) x 2 (Normal working pressure 0.8 MPa)
Alarm indicator (Note 7)	Small red LED indicator x 1 (24 V DC must be supplied.)
Brake-release switch (Note 8)	Allows remote release of Z-axis (24 VDC required)

Ambient temperature/humidity	Temperature: 0–40 °C, humidity: 20–85%RH or less (no condensation)
Unit weight	32.5Kg
Applicable controller	T2: XSEL-PX/QX
Cable length (Note 9)	5L: 5 m (standard), 10L: 10 m (optional)
Protective structure	IP65 or equivalent
Air purge pressure (Note 10)	0.3 MPa or more (0.6 MPa maximum) (Clean, dry air)

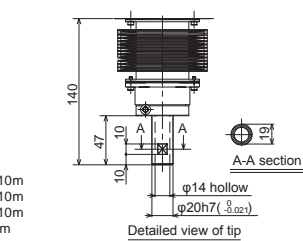
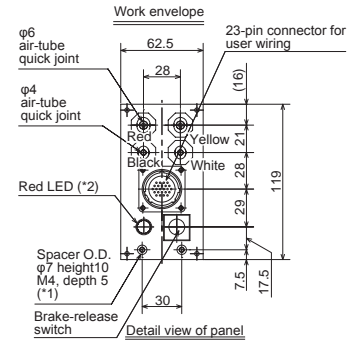
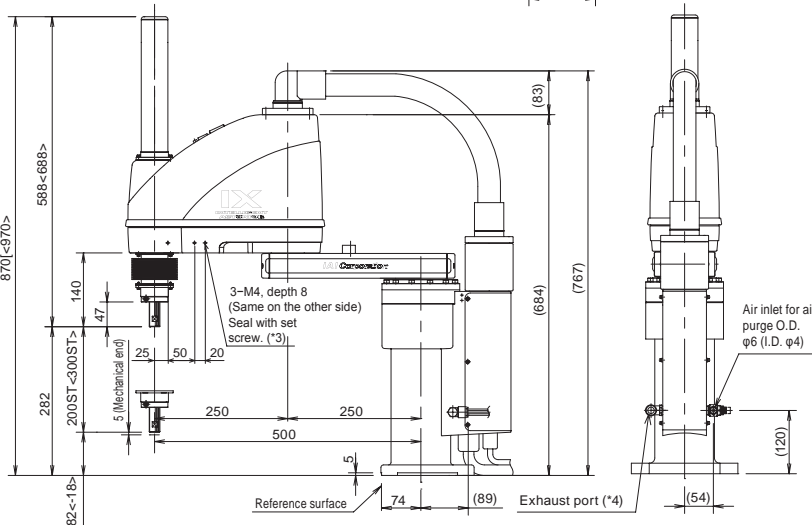
Dimensions

The CAD drawings can be downloaded from our Web site.

2D CAD



*< > indicates vertical axis 300mm (optional) specifications.



- *1: The external force applied to a spacer must not exceed 30 N in the axial direction, or 2 N·m in the rotating direction. (for each spacer)
- *2: In order to use the LED, the user must wire it so that it responds to the controller's I/O output signal by supplying 24 V DC to the applicable LED terminal in the user wiring.
- *3: The prepared hole 3-M4, depth 8 passes through the side panel of the arm. If the mounting screw is long, make sure it does not contact internal components. In addition, be sure to seal screws with tape.
- *4: Insert a tube O.D. φ12 into the exhaust port and extend the tube to a location away from water.

- Cables/tubes
- Motor/encoder cable 5m/10m
- Brake power cable 5m/10m
- User Wiring Cable 5m/10m
- Air tube (4 pcs) 0.15m

Applicable Controller Specifications

Applicable Controller	Features	Maximum I/O points (inputs/outputs)	Power-supply voltage	Reference page
XSEL-PX-###-2[3]	Maximum 6 axes, 1600 [2400] W supported	192/192 points	Single-phase [Three-phase] 230 VAC	p. 37
XSEL-QX-###-2[3]	Safety Category 4 supported			

*The SCARA model with high-power specification [H] needs a 2.4 kW three-phase type controller XSEL-PX/QX-###-3.



Caution

For explanations of (Note 1) through (Note 9), refer to page 7.

(Note 10) Increase the air purge pressure to a range between 0.3 and 0.6 MPa until immediately before the bellows starts to inflate, and adjust the flow rate using the speed controller.

As a purge medium, use clean, dry air free from compressor oil or other contaminants, conforming to an air filtration rating of 10 μm or less.

IX-NNW60□□[H]

Medium SCARA robot, Dustproof/Splash-proof type
 Arm length 600mm, Vertical axis 200mm (300mm) [High-power specification]



Model items	IX — NNW60□□[H] — □ — T2		
Series	Type	Cable length	Applicable controller
NNW6020[H]: Arm length 600mm, Vertical axis 200mm NNW6030[H]: Arm length 600mm, Vertical axis 300mm		5L : 5 m (standard) 10L: 10 m	T2: XSEL-PX/QX

*For details on the model items, refer to page 8.

Model/Specifications

Model	Axis configuration	Arm length (mm)	Motor capacity (W)	Work envelope	Positioning Repeatability (mm) (Note 1)	PTP operation Maximum operating speed (Note 2)	Standard cycle time (sec) (Note 3)	Load capacity (kg) (Note 4)		Axis 3 (vertical axis) push force (N) (Note 5)		Axis 4 allowable load	
								Rated	Maximum	Maximum limit	Minimum limit	Allowable inertial moment (kg·m ²) (Note 6)	Allowable torque (N·m)
IX-NNW6020[H]-□-T2 (IX-NNW6030[H]-□-T2)	Axis 1 Arm 1	350	400	±120°	±0.010 (XY)	7121mm/s [7232mm/s] (Composite speed)	0.55 [0.47]	2	10	152 [181]	78 [93]	0.06	3.3 [3.7]
	Axis 2 Arm 2	250	200	±145°									
	Axis 3 Vertical axis	-	200	200mm (300mm)	±0.010	1393mm/s [1473mm/s]							
	Axis 4 Rotating axis	-	100	±360°	±0.005	1200°/s [1857°/s]							

*In the model number above, specify the cable length in □.

□ indicates the high-power specification type

*SCARA robots cannot operate continuously at 100% speed and acceleration. For details on the operating conditions, refer to Reference Acceleration/Deceleration Settings on page 44.

Common Specifications

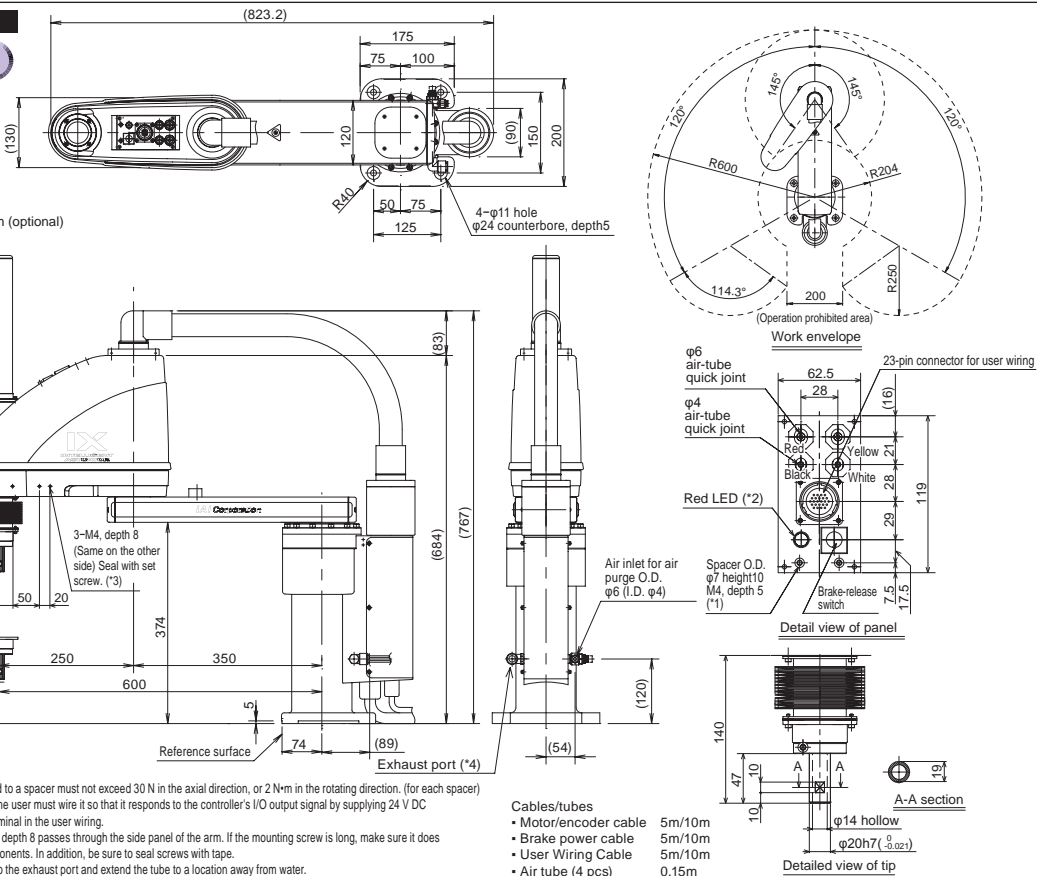
Encoder type	Absolute
User wiring	23-conductor AWG26 waterproof connector with shield
User tubing	Air tube (O.D. ø6, I.D. ø4) x 2 (Normal working pressure 0.8 MPa) Air tube (O.D. ø4, I.D. ø2.5) x 2 (Normal working pressure 0.8 MPa)
Alarm indicator (Note 7)	Small red LED indicator x 1 (24 V DC must be supplied.)
Brake-release switch (Note 8)	Allows remote release of Z-axis (24 VDC required)

Ambient temperature/humidity	Temperature: 0-40 °C, humidity: 20-85%RH or less (no condensation)
Unit weight	34.5Kg
Applicable controller	T2: XSEL-PX/QX
Cable length (Note 9)	5L: 5 m (standard), 10L: 10 m (optional)
Protective structure	IP65 or equivalent
Air purge pressure (Note 10)	0.3 MPa or more (0.6 MPa maximum) (Clean, dry air)

Dimensions

The CAD drawings can be downloaded from our Web site.

2D CAD



* < > indicates vertical axis 300mm (optional) specifications.

- *1: The external force applied to a spacer must not exceed 30 N in the axial direction, or 2 N·m in the rotating direction. (for each spacer)
- *2: In order to use the LED, the user must wire it so that it responds to the controller's I/O output signal by supplying 24 V DC to the applicable LED terminal in the user wiring.
- *3: The prepared hole 3-M4, depth 8 passes through the side panel of the arm. If the mounting screw is long, make sure it does not contact internal components. In addition, be sure to seal screws with tape.
- *4: Insert a tube O.D. φ12 into the exhaust port and extend the tube to a location away from water.

Applicable Controller Specifications

Applicable Controller	Features	Maximum I/O points (inputs/outputs)	Power-supply voltage	Reference page
XSEL-PX-###-2[3]	Maximum 6 axes, 1600 [2400] W supported	192/192 points	Single-phase [Three-phase] 230 VAC	p. 37
XSEL-QX-###-2[3]	Safety Category 4 supported			

*The SCARA model with high-power specification [H] needs a 2.4 kW three-phase type controller XSEL-PX/QX-###-3.



Caution

For explanations of (Note 1) through (Note 9), refer to page 7.
 (Note 10) Increase the air purge pressure to a range between 0.3 and 0.6 MPa until immediately before the bellows starts to inflate, and adjust the flow rate using the speed controller.
 As a purge medium, use clean, dry air free from compressor oil or other contaminants, conforming to an air filtration rating of 10 μm or less.

IX-NNW70□□[H]

Large SCARA robot, Dustproof/Splash-proof type
 Arm length 700mm, Vertical axis 200mm (400mm) [High-power specification]



Model items	IX — NNW70□□[H] — □ — T2		
Series	Type	Cable length	Applicable controller
NNW7020[H]: Arm length 700mm, Vertical axis 200mm		5L : 5 m (standard)	T2: XSEL-PX/QX
NNW7040[H]: Arm length 700mm, Vertical axis 400mm		10L : 10 m	

*For details on the model items, refer to page 8.

Model/Specifications

Model	Axis configuration	Arm length (mm)	Motor capacity (W)	Work envelope	Positioning Repeatability (mm) (Note 1)	PTP operation Maximum operating speed (Note 2)	Standard cycle time (sec) (Note 3)	Load capacity (kg) (Note 4)		Axis 3 (vertical axis) push force (N) (Note 5)		Axis 4 allowable load		
								Rated	Maximum	Maximum limit	Minimum limit	Allowable inertial moment (kg·m ²) (Note 6)	Allowable torque (N·m)	
IX-NNW7020[H]-□-T2 (IX-NNW7040[H]-□-T2)	Axis 1	Arm 1	350	750	±125°	6597mm/s [7010mm/s] (Composite speed)	0.52 [0.45]	5	20	265 [304]	127.3 [146.0]	0.1	6.7 [11.7]	
	Axis 2	Arm 2	350	400	±145°									
	Axis 3	Vertical axis	-	400	200mm (400mm)	±0.010								1583mm/s [1614mm/s]
	Axis 4	Rotating axis	-	200	±360°	±0.005								1200°/s [1266°/s]

*In the model number above, specify the cable length in □. *[] indicates the high-power specification type *SCARA robots cannot operate continuously at 100% speed and acceleration. For details on the operating conditions, refer to Reference Acceleration/Deceleration Settings on page 44.

Common Specifications

Encoder type	Absolute
User wiring	23-conductor AWG26 waterproof connector with shield
User tubing	Air tube (O.D. ø6, I.D. ø4) x 2 (Normal working pressure 0.8 MPa)
	Air tube (O.D. ø4, I.D. ø2.5) x 2 (Normal working pressure 0.8 MPa)
Alarm indicator (Note 7)	Small red LED indicator x 1 (24 V DC must be supplied.)
Brake-release switch (Note 8)	Allows remote release of Z-axis (24 VDC required)

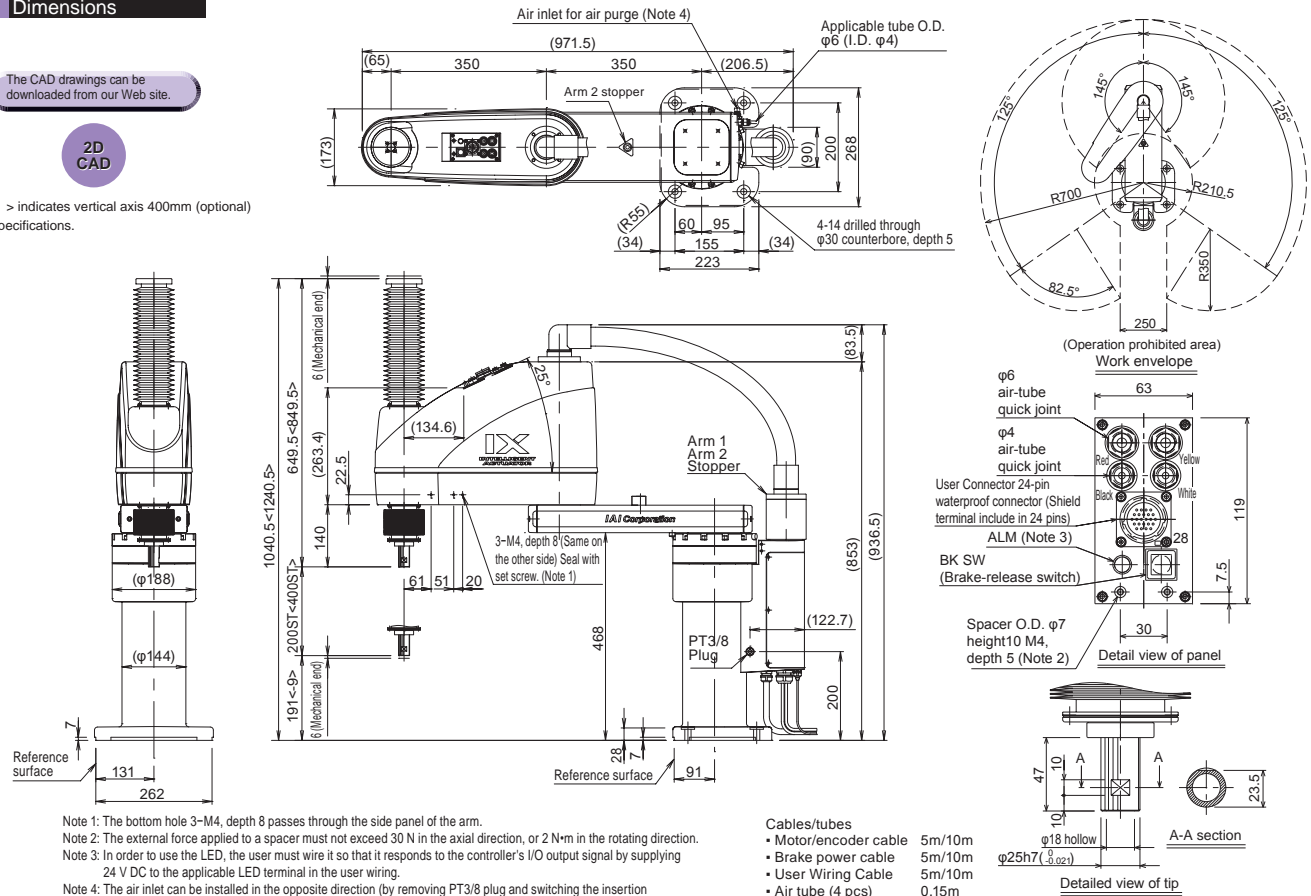
Ambient temperature/humidity	Temperature: 0–40 °C, humidity: 20–85%RH or less (no condensation)
Unit weight	60Kg
Applicable controller	T2: XSEL-PX/QX
Cable length (Note 9)	5L: 5 m (standard), 10L: 10 m (optional)
Protective structure	IP65 or equivalent
Air purge pressure (Note 10)	0.3 MPa or more (0.6 MPa maximum) (Clean, dry air)

Dimensions

The CAD drawings can be downloaded from our Web site.



* < > indicates vertical axis 400mm (optional) specifications.



Applicable Controller Specifications

Applicable Controller	Features	Maximum I/O points (inputs/outputs)	Power-supply voltage	Reference page
XSEL-PX-###-2[3]	Maximum 5 axes, 1600 [2400] W supported	192/192 points	Single-phase [Three-phase] 230 VAC	p. 37
XSEL-QX-###-2[3]	Safety Category 4 supported			

*The SCARA model with high-power specification [H] needs a 2.4 kW three-phase type controller XSEL-PX/QX-###-3.



Caution

For explanations of (Note 1) through (Note 9), refer to page 7.
 (Note 10) Increase the air purge pressure to a range between 0.3 and 0.6 MPa until immediately before the bellows starts to inflate, and adjust the flow rate using the speed controller.
 As a purge medium, use clean, dry air free from compressor oil or other contaminants, conforming to an air filtration rating of 10 μm or less.

IX-NNW80□□[H]

Large SCARA robot, Dustproof/Splash-proof type
 Arm length 800mm, Vertical axis 200mm (400mm) [High-power specification]



■ Model items IX — NNW80□□[H] — □ — T2

Series	Type	Cable length	Applicable controller
NNW8020[H]: Arm length 800mm, Vertical axis 200mm NNW8040[H]: Arm length 800mm, Vertical axis 400mm		5L : 5 m (standard) 10L : 10 m	T2: XSEL-PX/QX

*For details on the model items, refer to page 8.

Model/Specifications

Model	Axis configuration	Arm length (mm)	Motor capacity (W)	Work envelope	Positioning Repeatability (mm) (Note 1)	PTP operation Maximum operating speed (Note 2)	Standard cycle time (sec) (Note 3)	Load capacity (kg) (Note 4)		Axis 3 (vertical axis) push force (N) (Note 5)		Axis 4 allowable load	
								Rated	Maximum	Maximum limit	Minimum limit	Allowable inertial moment (kg·m ²) (Note 6)	Allowable torque (N·m)
IX-NNW8020[H]-□-T2 (IX-NNW8040[H]-□-T2)	Axis 1 Arm 1	450	750	±125°	±0.015 (XY)	7121mms [7586mm/s] (Composite speed)	0.52 [0.46]	5	20	265 [304]	127.3 [146.0]	0.1	6.7 [11.7]
	Axis 2 Arm 2	350	400	±145°									
	Axis 3 Vertical axis	-	400	200mm (400mm)	±0.010	1583mm/s [1614mm/s]							
	Axis 4 Rotating axis	-	200	±360°	±0.005	1200°/s [1266°/s]							

*In the model number above, specify the cable length in □.

[] indicates the high-power specification type

*SCARA robots cannot operate continuously at 100% speed and acceleration. For details on the operating conditions, refer to Reference Acceleration/Deceleration Settings on page 44.

Common Specifications

Encoder type	Absolute
User wiring	23-conductor AWG26 waterproof connector with shield
User tubing	Air tube (O.D. φ6, I.D. φ4) x 2 (Normal working pressure 0.8 MPa) Air tube (O.D. φ4, I.D. φ2.5) x 2 (Normal working pressure 0.8 MPa)
Alarm indicator (Note 7)	Small red LED indicator x 1 (24 V DC must be supplied.)
Brake-release switch (Note 8)	Allows remote release of Z-axis (24 VDC required)

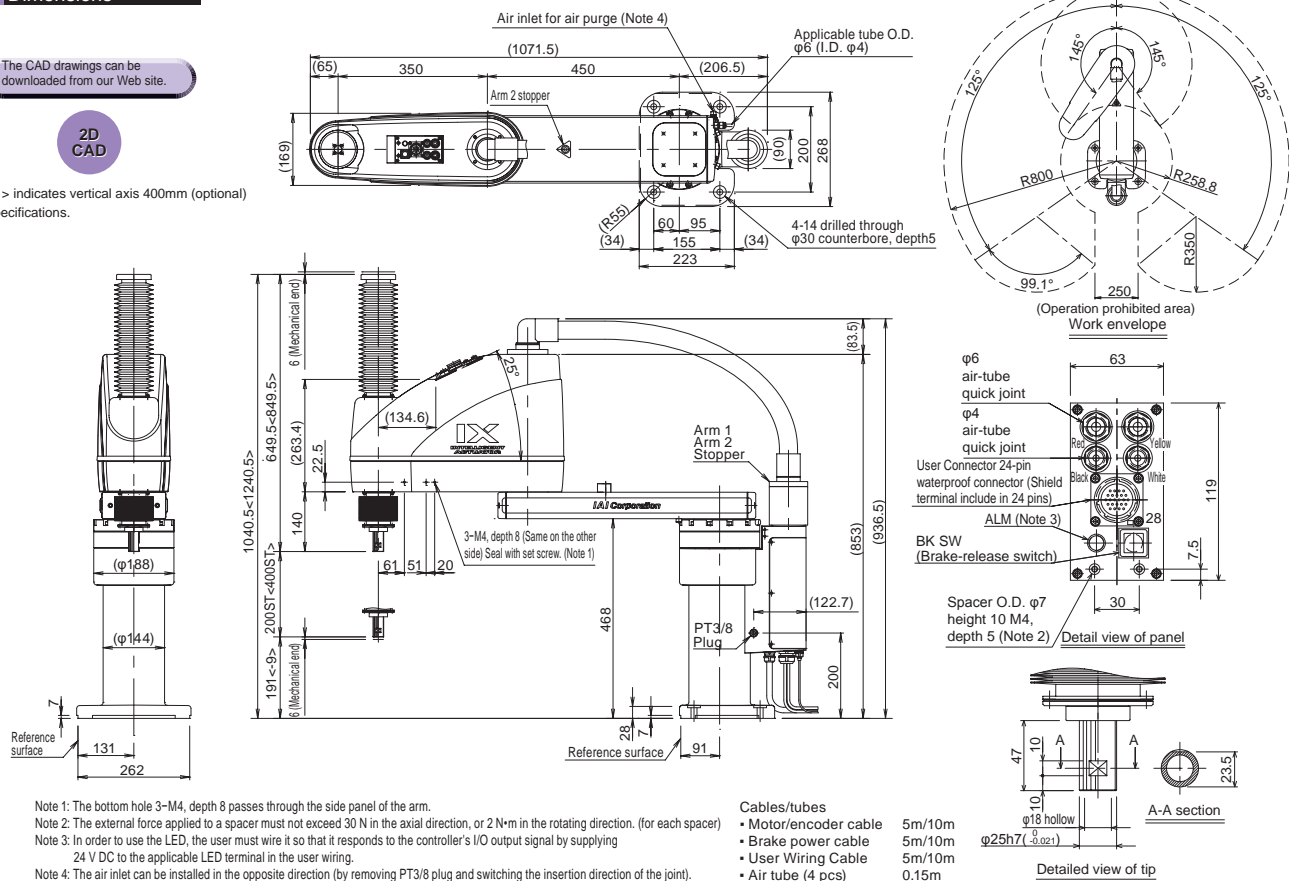
Ambient temperature/humidity	Temperature: 0-40 °C, humidity: 20-85%RH or less (no condensation)
Unit weight	62Kg
Applicable controller	T2: XSEL-PX/QX
Cable length (Note 9)	5L: 5 m (standard), 10L: 10 m (optional)
Protective structure	IP65 or equivalent
Air purge pressure (Note 10)	0.3 MPa or more (0.6 MPa maximum) (Clean, dry air)

Dimensions

The CAD drawings can be downloaded from our Web site.

2D CAD

< > indicates vertical axis 400mm (optional) specifications.



- Note 1: The bottom hole 3-M4, depth 8 passes through the side panel of the arm.
 Note 2: The external force applied to a spacer must not exceed 30 N in the axial direction, or 2 N·m in the rotating direction. (for each spacer)
 Note 3: In order to use the LED, the user must wire it so that it responds to the controller's I/O output signal by supplying 24 V DC to the applicable LED terminal in the user wiring.
 Note 4: The air inlet can be installed in the opposite direction (by removing PT3/8 plug and switching the insertion direction of the joint).
- | Cables/tubes | |
|-----------------------|--------|
| • Motor/encoder cable | 5m/10m |
| • Brake power cable | 5m/10m |
| • User Wiring Cable | 5m/10m |
| • Air tube (4 pcs) | 0.15m |

Applicable Controller Specifications

Applicable Controller	Features	Maximum I/O points (inputs/outputs)	Power-supply voltage	Reference page
XSEL-PX-###-2[3]	Maximum 5 axes, 1600 [2400] W supported	192/192 points	Single-phase [Three-phase] 230 VAC	p. 37
XSEL-QX-###-2[3]	Safety Category 4 supported			

*The SCARA model with high-power specification [H] needs a 2.4 kW three-phase type controller XSEL-PX/QX-###-3.



Caution

For explanations of (Note 1) through (Note 9), refer to page 7.
 (Note 10) Increase the air purge pressure to a range between 0.3 and 0.6 MPa until immediately before the bellows starts to inflate, and adjust the flow rate using the speed controller.
 As a purge medium, use clean, dry air free from compressor oil or other contaminants, conforming to an air filtration rating of 10 μm or less.

IX-TNN3015[H]	Small SCARA robot, Wall-mount type Arm length 300mm, Vertical axis 150mm [High-power specification]
IX-UNN3015[H]	Small SCARA robot, Wall-mount inverse type Arm length 300mm, Vertical axis 150mm [High-power specification]
Model items IX — □ NN3015[H] — □ — T2	
Series TNN3015[H] : Wall-mount type Arm length 300mm, Vertical axis 150mm UNN3015[H] : Wall-mount inverse type Arm length 300mm, Vertical axis 150mm	Type Cable length Applicable controller 5L : 5 m (standard) T2: XSEL-PX/QX 10L: 10 m



*For details on the model items, refer to page 8.

Model/Specifications

Model	Axis configuration	Arm length (mm)	Motor capacity (W)	Work envelope	Positioning Repeatability (mm) (Note 1)	PTP operation Maximum operating speed (Note 2)	Standard cycle time (sec) (Note 3)	Load capacity (kg) (Note 4)		Axis 3 (vertical axis) push force (N) (Note 5)		Axis 4 allowable load	
								Rated	Maximum	Maximum limit	Minimum limit	Allowable inertial moment (kg·m ²) (Note 6)	Allowable torque (N·m)
IX-TNN3015[H]-□-T2 IX-UNN3015[H]-□-T2	Axis 1 Arm 1	175	200	±120°	±0.010 (XY)	3560mm/s [3616mm/s] (Composite speed)	0.49 [0.41]	1	3	90.9 [111.0]	47.5 [58.0]	0.015	1.9
	Axis 2 Arm 2	125	100	±130°									
	Axis 3 Vertical axis	-	100	150mm	±0.010	1106mm/s [1316mm/s]							
	Axis 4 Rotating axis	-	50	±360°	±0.005	1600°/s							

*In the model number above, specify the cable length in □.

[] indicates the high-power specification type

*SCARA robots cannot operate continuously at 100% speed and acceleration. For details on the operating conditions, refer to Reference Acceleration/Deceleration Settings on page 44.

Common Specifications

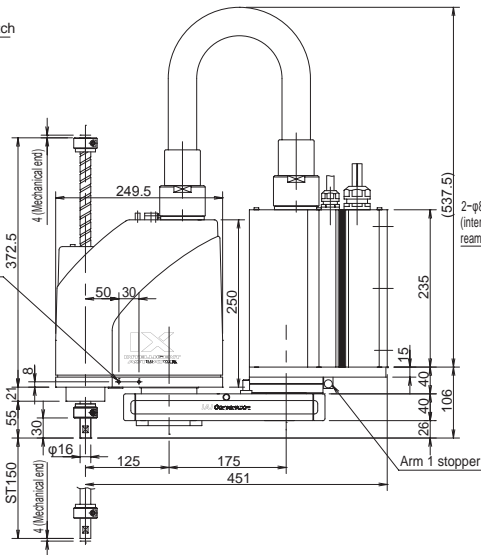
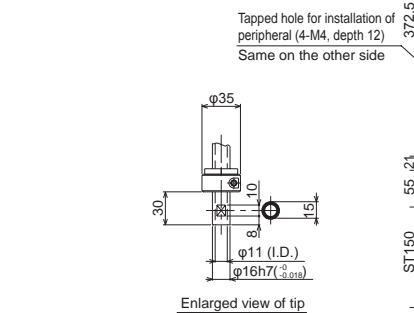
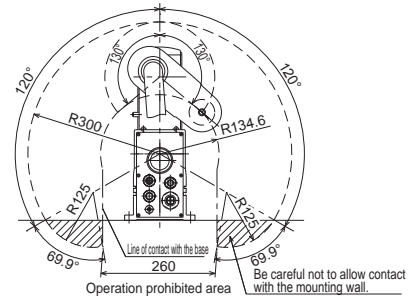
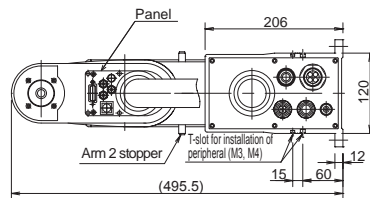
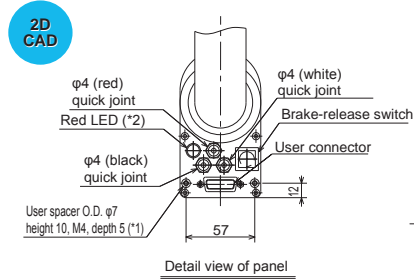
Encoder type	Absolute
User wiring	15-conductor AWG26 D-sub/15-pin connector with shield (socket)
User tubing	Air tube (O.D. ø4, I.D. ø2.5) x 3 (Normal working pressure 0.8 MPa)
Alarm indicator (Note 7)	Small red LED indicator x 1 (24 V DC must be supplied.)
Brake-release switch (Note 8)	Allows remote release of Z-axis (24 VDC required)

Ambient temperature/humidity	Temperature: 0–40 °C, humidity: 20–85%RH or less (no condensation)
Unit weight	20.8Kg
Applicable controller	T2: XSEL-PX/QX
Cable length (Note 9)	5L: 5 m (standard), 10L: 10 m (optional)

Dimensions

*For the inverse type, the following illustrations should be turned upside down. (See page 2.)

The CAD drawings can be downloaded from our Web site.



- Cables/tubes
- Motor/encoder cable 5m/10m
 - Brake power cable 5m/10m
 - User Wiring Cable 5m/10m
 - Air tube (4 pcs) 0.15m

*1: The external force applied to a spacer must not exceed 30 N in the axial direction, or 2 N·m in the rotating direction. (for each spacer)
 *2: In order to use the LED, the user must wire it so that it responds to the controller's I/O output signal by supplying 24 V DC to the applicable LED terminal in the user wiring.

Applicable Controller Specifications

Applicable Controller	Features	Maximum I/O points (inputs/outputs)	Power-supply voltage	Reference page
XSEL-PX-##-2[3]	Maximum 6 axes, 1600 [2400] W supported	192/192 points	Single-phase [Three-phase] 230 VAC	p. 37
XSEL-QX-##-2[3]	Safety Category 4 supported			

*The SCARA model with high-power specification [H] needs a 2.4 kW three-phase type controller XSEL-PX/QX-##-3.

Caution For explanations of (Note 1) through (Note 9), refer to page 7.

IX-TNN3515[H]	Small SCARA robot, Wall-mount type Arm length 350mm, Vertical axis 150mm [High-power specification]
IX-UNN3515[H]	Small SCARA robot, Wall-mount inverse type Arm length 350mm, Vertical axis 150mm [High-power specification]

Model items IX — □ NN3515[H] — □ — T2

Series	Type	Cable length	Applicable controller
TNN3515[H] : Wall-mount type Arm length 350mm, Vertical axis 150mm UNN3515[H] : Wall-mount inverse type Arm length 350mm, Vertical axis 150mm		5L : 5 m (standard) 10L : 10 m	T2: XSEL-PX/QX



*For details on the model items, refer to page 8.

Model/Specifications

Model	Axis configuration	Arm length (mm)	Motor capacity (W)	Work envelope	Positioning Repeatability (mm) (Note 1)	PTP operation Maximum operating speed (Note 2)	Standard cycle time (sec) (Note 3)	Load capacity (kg) (Note 4)		Axis 3 (vertical axis) push force (N) (Note 5)		Axis 4 allowable load	
								Rated	Maximum	Maximum limit	Minimum limit	Allowable inertial moment (kg·m ²) (Note 6)	Allowable torque (N·m)
IX-TNN3515[H]-□-T2 IX-UNN3515[H]-□-T2	Axis 1 Arm 1 Axis 2 Arm 2 Axis 3 Vertical axis Axis 4 Rotating axis	225 125 - -	200 100 100 50	±120° ±130° 150mm ±360°	±0.010 (XY) ±0.010 ±0.005	3979mm/s [4042mm/s] (Composite speed) 1106mm/s [1316mm/s] 1600°/s	0.53 [0.42]	1	3	90.9 [111.0]	47.5 [58.0]	0.015	1.9

*In the model number above, specify the cable length in □.

[] indicates the high-power specification type

*SCARA robots cannot operate continuously at 100% speed and acceleration. For details on the operating conditions, refer to Reference Acceleration/Deceleration Settings on page 44.

Common Specifications

Encoder type	Absolute
User wiring	15-conductor AWG26 D-sub/15-pin connector with shield (socket)
User tubing	Air tube (O.D. φ4, I.D. φ2.5) x 3 (Normal working pressure 0.8 MPa)
Alarm indicator (Note 7)	Small red LED indicator x 1 (24 V DC must be supplied.)
Brake-release switch (Note 8)	Allows remote release of Z-axis (24 VDC required)

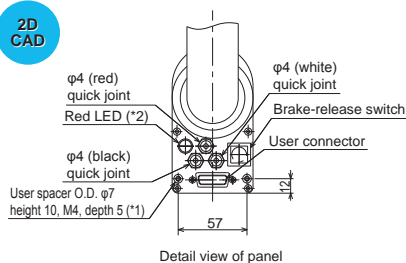
Ambient temperature/humidity	Temperature: 0–40 °C, humidity: 20–85%RH or less (no condensation)
Unit weight	21.9Kg
Applicable controller	T2: XSEL-PX/QX
Cable length (Note 9)	5L: 5 m (standard), 10L: 10 m (optional)

Dimensions

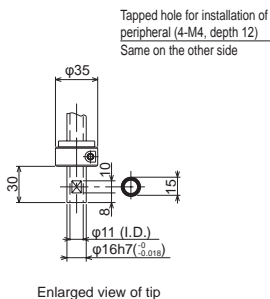
*For the inverse type, the following illustrations should be turned upside down. (See page 2.)

The CAD drawings can be downloaded from our Web site.

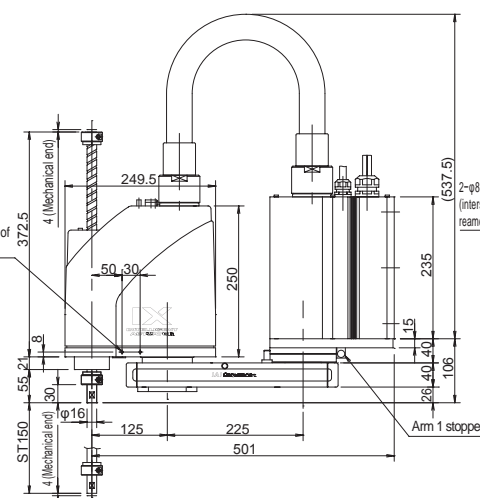
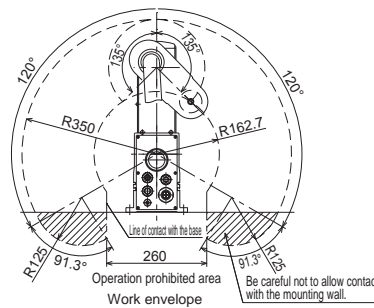
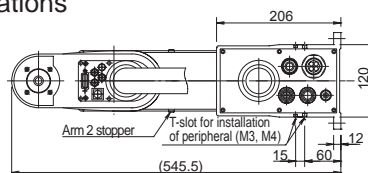
2D CAD



Detail view of panel



Enlarged view of tip



- Cables/tubes
- Motor/encoder cable 5m/10m
- Brake power cable 5m/10m
- User Wiring Cable 5m/10m
- Air tube (4 pcs) 0.15m

*1: The external force applied to a spacer must not exceed 30 N in the axial direction, or 2 N·m in the rotating direction. (for each spacer)
*2: In order to use the LED, the user must wire it so that it responds to the controller's I/O output signal by supplying 24 V DC to the applicable LED terminal in the user wiring.

Applicable Controller Specifications

Applicable Controller	Features	Maximum I/O points (inputs/outputs)	Power-supply voltage	Reference page
XSEL-PX-###-2[3]	Maximum 6 axes, 1600 [2400] W supported	192/192 points	Single-phase [Three-phase]	p. 37
XSEL-QX-###-2[3]	Safety Category 4 supported		230 VAC	

*The SCARA model with high-power specification [H] needs a 2.4 kW three-phase type controller XSEL-PX/QX-###-3.

Caution

For explanations of (Note 1) through (Note 9), refer to page 7.

IX-HNN6020[H] Medium SCARA robot, Ceiling-mount type
 Arm length 600mm, Vertical axis 200mm [High-power specification]
IX-INN6020[H] Medium SCARA robot, Ceiling-mount inverse type
 Arm length 600mm, Vertical axis 200mm [High-power specification]



■ Model items IX — □ NN6020[H] — □ — T2

Series	Type	Cable length	Applicable controller
HNN6020[H] : Ceiling-mount type Arm length 600mm, Vertical axis 200mm INN6020[H] : Ceiling-mount inverse type Arm length 600mm, Vertical axis 200mm		5L : 5 m (standard) 10L: 10 m	T2: XSEL-PX/QX

*For details on the model items, refer to page 8.

Model/Specifications

Model	Axis configuration	Arm length (mm)	Motor capacity (W)	Work envelope	Positioning Repeatability (mm) (Note 1)	PTP operation Maximum operating speed (Note 2)	Standard cycle time (sec) (Note 3)	Load capacity (kg) (Note 4)		Axis 3 (vertical axis) push force (N) (Note 5)		Axis 4 allowable load	
								Rated	Maximum	Maximum limit	Minimum limit	Allowable inertial moment (kg·m ²) (Note 6)	Allowable torque (N·m)
IX-HNN6020[H]-□-T2 IX-INN6020[H]-□-T2	Axis 1 Arm 1 Axis 2 Arm 2 Axis 3 Vertical axis Axis 4 Rotating axis	350 250 - -	400 200 200 100	±120° ±135° 200mm ±360°	±0.010 (XY) ±0.010 ±0.005	7121mm/s [7232mm/s] (Composite speed) 1393mm/s [1473mm/s] 1200°/s [1857°/s]	0.52 [0.43]	2 10	152.0 [181.0]	78.1 [93.0]	0.06	3.3 [3.7]	

*In the model number above, specify the cable length in □.

*] indicates the high-power specification type

*SCARA robots cannot operate continuously at 100% speed and acceleration. For details on the operating conditions, refer to Reference Acceleration/Deceleration Settings on page 44.

Common Specifications

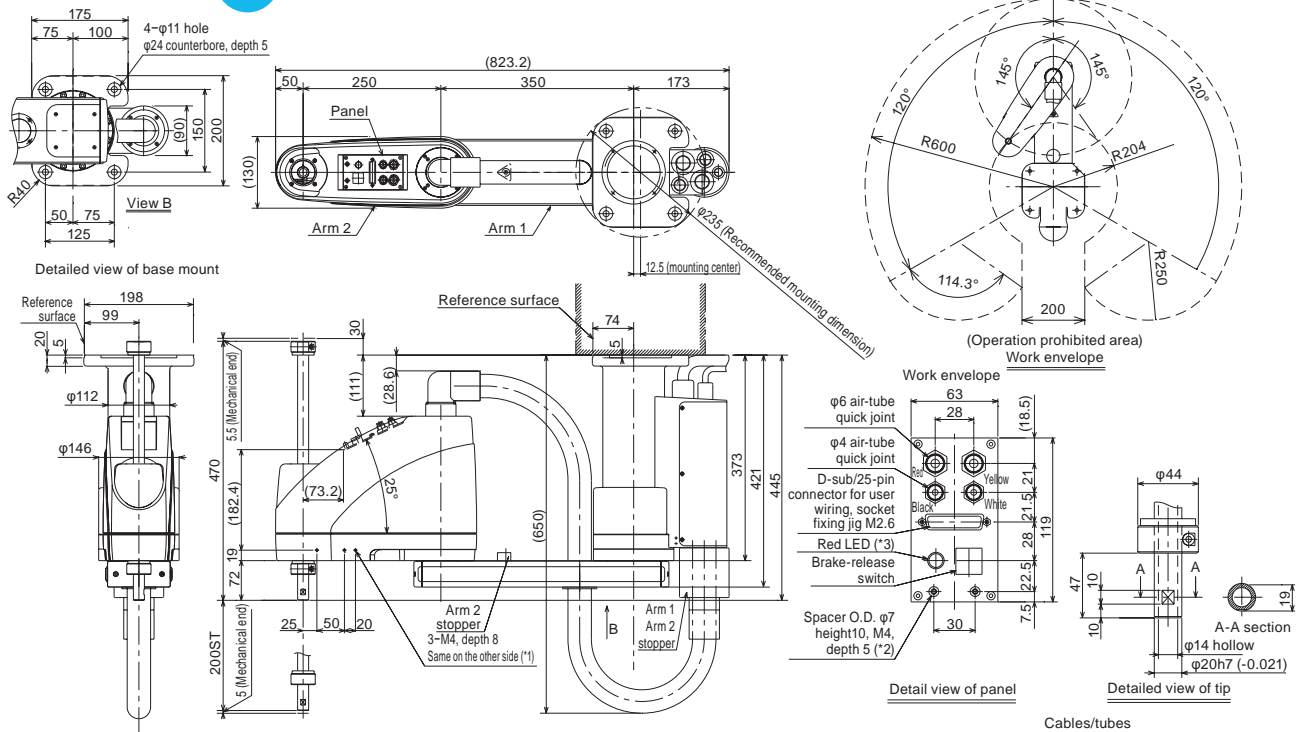
Encoder type	Absolute
User wiring	25-conductor AWG26 D-sub/25-pin connector with shield (socket)
User tubing	Air tube (O.D. ø6, I.D. ø4) x 2 (Normal working pressure 0.8 MPa) Air tube (O.D. ø4, I.D. ø2.5) x 2 (Normal working pressure 0.8 MPa)
Alarm indicator (Note 7)	Small red LED indicator x 1 (24 V DC must be supplied.)
Brake-release switch (Note 8)	Allows remote release of Z-axis (24 VDC required)

Ambient temperature/humidity	Temperature: 0-40 °C, humidity: 20-85%RH or less (no condensation)
Unit weight	31.5Kg
Applicable controller	T2: XSEL-PX/QX
Cable length (Note 9)	5L: 5 m (standard), 10L: 10 m (optional)

Dimensions

*For the inverse type, the following illustrations should be turned upside down. (See page 2.)

The CAD drawings can be downloaded from our Web site.



- *1: The prepared hole 3-M4, depth 8 passes through the side panel of the arm. If the mounting screw is long, make sure it does not contact internal components.
- *2: The external force applied to a spacer must not exceed 30 N in the axial direction, or 2 N·m in the rotating direction. (for each spacer)
- *3: In order to use the LED, the user must wire it so that it responds to the controller's I/O output signal by supplying 24 V DC to the applicable LED terminal in the user wiring.

- Cables/tubes
- Motor/encoder cable 5m/10m
 - Brake power cable 5m/10m
 - User Wiring Cable 5m/10m
 - Air tube (4 pcs) 0.15m

Applicable Controller Specifications

Applicable Controller	Features	Maximum I/O points (inputs/outputs)	Power-supply voltage	Reference page
XSEL-PX-###-2[3]	Maximum 6 axes, 1600 [2400] W supported	192/192 points	Single-phase [Three-phase] 230 VAC	p. 37
XSEL-QX-###-2[3]	Safety Category 4 supported			

*The SCARA model with high-power specification [H] needs a 2.4 kW three-phase type controller XSEL-PX/QX-###-3.

Caution For explanations of (Note 1) through (Note 9), refer to page 7.

IX-HNN70□□[H]	Large SCARA robot, Ceiling-mount type, Arm length 700mm Vertical axis 200mm (400mm) [High-power specification]		
IX-INN70□□[H]	Large SCARA robot, Ceiling-mount inverse type, Arm length 700mm Vertical axis 200mm (400mm) [High-power specification]		
Model items IX —□NN70□□[H] — □ — T2			
Series	Type	Cable length	Applicable controller
HNN7020(7040)[H]: Ceiling-mount type Arm length 700mm, Vertical axis 200mm (400mm)	INN7020(7040)[H]: Ceiling-mount inverse type Arm length 700mm, Vertical axis 200mm (400mm)	5L : 5 m (standard) 10L: 10 m	T2: XSEL-PX/QX



*For details on the model items, refer to page 8.

Model/Specifications

Model	Axis configuration	Arm length (mm)	Motor capacity (W)	Work envelope	Positioning Repeatability (mm) (Note 1)	PTP operation Maximum operating speed (Note 2)	Standard cycle time (sec) (Note 3)	Load capacity (kg) (Note 4)		Axis 3 (vertical axis) push force (N) (Note 5)		Axis 4 allowable load		
								Rated	Maximum	Maximum limit	Minimum limit	Allowable inertial moment (kg·m ²) (Note 6)	Allowable torque (N·m)	
IX-HNN7020[H]-□-T2 (IX-HNN7040[H]-□-T2) IX-INN7020[H]-□-T2 (IX-INN7040[H]-□-T2)	Axis 1	Arm 1	350	750	±125°	6597mm/s [7010mm/s] (Composite speed)	0.50 [0.42]	5	20	265 [304]	127.3 [146.0]	0.1	6.7 [11.7]	
	Axis 2	Arm 2	350	400	±145°									±0.015 (XY)
	Axis 3	Vertical axis	-	400	200mm (400mm)	±0.010								1583mm/s [1614mm/s]
	Axis 4	Rotating axis	-	200	±360°	±0.005								1200°/s [1266°/s]

*In the model number above, specify the cable length in □. [] indicates the high-power specification type. *SCARA robots cannot operate continuously at 100% speed and acceleration. For details on the operating conditions, refer to Reference Acceleration/Deceleration Settings on page 44.

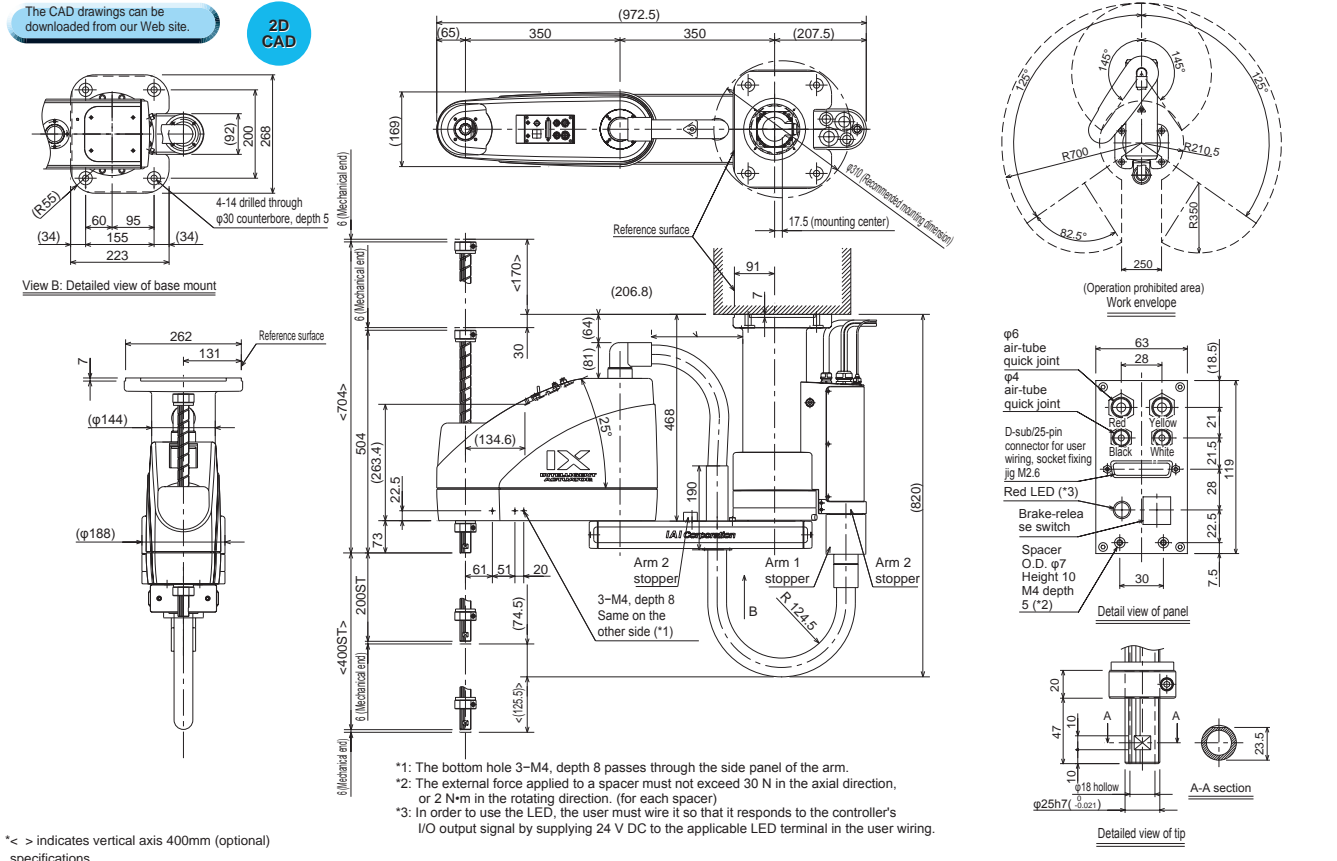
Common Specifications

Encoder type	Absolute
User wiring	25-conductor AWG26 D-sub/25-pin connector with shield (socket)
User tubing	Air tube (O.D. ø6, I.D. ø4) x 2 (Normal working pressure 0.8 MPa) Air tube (O.D. ø4, I.D. ø2.5) x 2 (Normal working pressure 0.8 MPa)
Alarm indicator (Note 7)	Small red LED indicator x 1 (24 V DC must be supplied.)
Brake-release switch (Note 8)	Allows remote release of Z-axis (24 VDC required)

Ambient temperature/humidity	Temperature: 0–40 °C, humidity: 20–85%RH or less (no condensation)
Unit weight	58Kg
Applicable controller	T2: XSEL-PX/QX
Cable length (Note 9)	5L: 5 m (standard), 10L: 10 m (optional)

Dimensions

*For the inverse type, the following illustrations should be turned upside down. (See page 2.)



*< > indicates vertical axis 400mm (optional) specifications.

Applicable Controller Specifications

Applicable Controller	Features	Maximum I/O points (inputs/outputs)	Power-supply voltage	Reference page
XSEL-PX-##-2[3]	Maximum 5 axes, 1600 [2400] W supported	192/192 points	Single-phase [Three-phase] 230 VAC	p. 37
XSEL-QX-##-2[3]	Safety Category 4 supported			

*The SCARA model with high-power specification [H] needs a 2.4 kW three-phase type controller XSEL-PX/QX-##-3.

Caution For explanations of (Note 1) through (Note 9), refer to page 7.

IX-HNN80□□[H] Large SCARA robot, Ceiling-mount type, Arm length 800mm
Vertical axis 200mm (400mm) [High-power specification]

IX-INN80□□[H] Large SCARA robot, Ceiling-mount inverse type, Arm length 800mm
Vertical axis 200mm (400mm) [High-power specification]



Model items **IX** — **□NN80□□[H]** — **□** — **T2**

Series	Type	Cable length	Applicable controller
HNN8020(8040)[H]: Ceiling-mount type Arm length 800mm, Vertical axis 200mm (400)mm INN8020(8040)[H]: Ceiling-mount inverse type Arm length 800mm, Vertical axis 200mm (400)mm		5L : 5 m (standard) 10L: 10 m	T2: XSEL-PX/QX

*For details on the model items, refer to page 8.

Model/Specifications

Model	Axis configuration		Arm length (mm)	Motor capacity (W)	Work envelope	Positioning Repeatability (mm) (Note 1)	PTP operation Maximum operating speed (Note 2)	Standard cycle time (sec) (Note 3)	Load capacity (kg) (Note 4)		Axis 3 (vertical axis) push force (N) (Note 5)		Axis 4 allowable load	
	Axis 1	Axis 2							Rated	Maximum	Maximum limit	Minimum limit	Allowable inertial moment (kg·m ²) (Note 6)	Allowable torque (N·m)
IX-HNN8020[H]-□-T2 (IX-HNN8040[H]-□-T2)	Axis 1	Arm 1	450	750	±125°	±0.015 (XY)	7121mms [7586mm/s] (Composite speed)	0.52 [0.43]	5	20	265 [304]	127.3 [146.0]	0.1	6.7 [11.7]
	Axis 2	Arm 2	350	400	±145°									
IX-INN8020[H]-□-T2 (IX-INN8040[H]-□-T2)	Axis 3	Vertical axis	-	400	200mm (400mm)	±0.010	1583mm/s [1614mm/s]							
	Axis 4	Rotating axis	-	200	±360°	±0.005	1200°/s [1266°/s]							

*In the model number above, specify the cable length in □.

[] indicates the high-power specification type

*SCARA robots cannot operate continuously at 100% speed and acceleration. For details on the operating conditions, refer to Reference Acceleration/Deceleration Settings on page 44.

Common Specifications

Encoder type	Absolute
User wiring	25-conductor AWG26 D-sub/25-pin connector with shield (socket)
User tubing	Air tube (O.D. ø6, I.D. ø4) x 2 (Normal working pressure 0.8 MPa)
	Air tube (O.D. ø4, I.D. ø2.5) x 2 (Normal working pressure 0.8 MPa)
Alarm indicator (Note 7)	Small red LED indicator x 1 (24 V DC must be supplied.)
Brake-release switch (Note 8)	Allows remote release of Z-axis (24 VDC required)

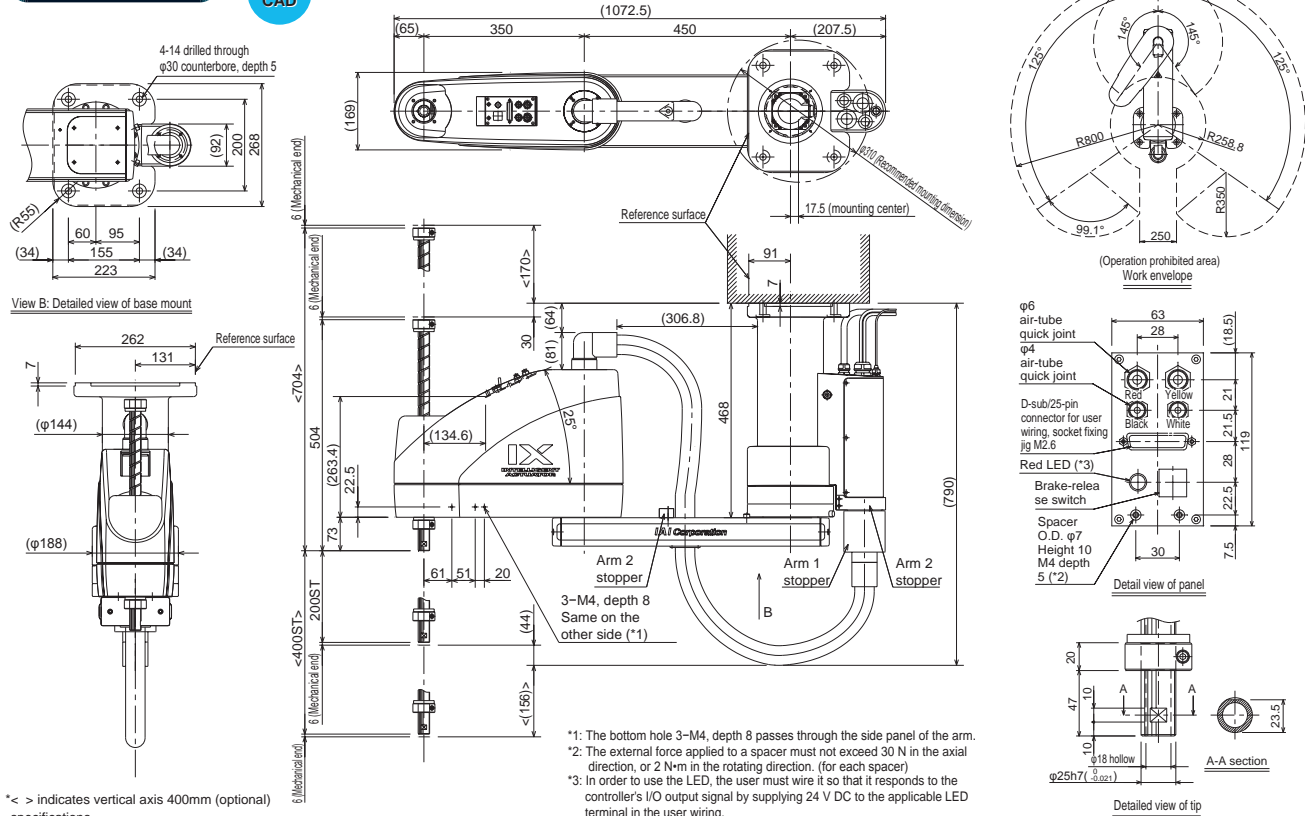
Ambient temperature/humidity	Temperature: 0–40 °C, humidity: 20–85%RH or less (no condensation)
Unit weight	58Kg
Applicable controller	T2: XSEL-PX/QX
Cable length (Note 9)	5L: 5 m (standard), 10L: 10 m (optional)

Dimensions

*For the inverse type, the following illustrations should be turned upside down. (See page 2.)

The CAD drawings can be downloaded from our Web site.

2D CAD



* < > indicates vertical axis 400mm (optional) specifications.

Applicable Controller Specifications

Applicable Controller	Features	Maximum I/O points (inputs/outputs)	Power-supply voltage	Reference page
XSEL-PX-###-2[3]	Maximum 5 axes, 1600 [2400] W supported	192/192 points	Single-phase [Three-phase] 230 VAC	p. 37
XSEL-QX-###-2[3]	Safety Category 4 supported			

*The SCARA model with high-power specification [H] needs a 2.4 kW three-phase type controller XSEL-PX/QX-###-3.



Caution

For explanations of (Note 1) through (Note 9), refer to page 7.

IX-NNC2515[H]

Small SCARA robot, Cleanroom type
 Arm length 250mm, Vertical axis 150mm
 [High-power specification]



Model items	IX — NNC2515[H] — — T2		
Series	Type	Cable length	Applicable controller
Cleanroom type		5L : 5 m (standard)	T2: XSEL-PX/QX
Arm length 250mm		10L: 10 m	
Vertical axis 150mm			

*For details on the model items, refer to page 8.

Model/Specifications

Model	Axis configuration	Arm length (mm)	Motor capacity (W)	Work envelope	Positioning Repeatability (mm) (Note 1)	PTP operation Maximum operating speed (Note 2)	Standard cycle time (sec) (Note 3)	Load capacity (kg) (Note 4)		Axis 3 (vertical axis) push force (N) (Note 5)		Axis 4 allowable load	
								Rated	Maximum	Maximum limit	Minimum limit	Allowable inertial moment (kg·m ²) (Note 6)	Allowable torque (N·m)
IX-NNC2515[H]- -T2	Axis 1 Arm 1	125	200	±120°	±0.010 (XY)	3142mm/s [3191mm/s] (Composite speed)	0.49 [0.44]	1	3	90.9 [111.0]	47.5 [58.0]	0.015	1.9
	Axis 2 Arm 2	125	100	±130°									
	Axis 3 Vertical axis	-	100	150mm	±0.010	1106mm/s [1316mm/s]							
	Axis 4 Rotating axis	-	50	±360°	±0.005	1600°/s							

*In the model number above, specify the cable length in .

[] indicates the high-power specification type

*SCARA robots cannot operate continuously at 100% speed and acceleration. For details on the operating conditions, refer to Reference Acceleration/Deceleration Settings on page 44.

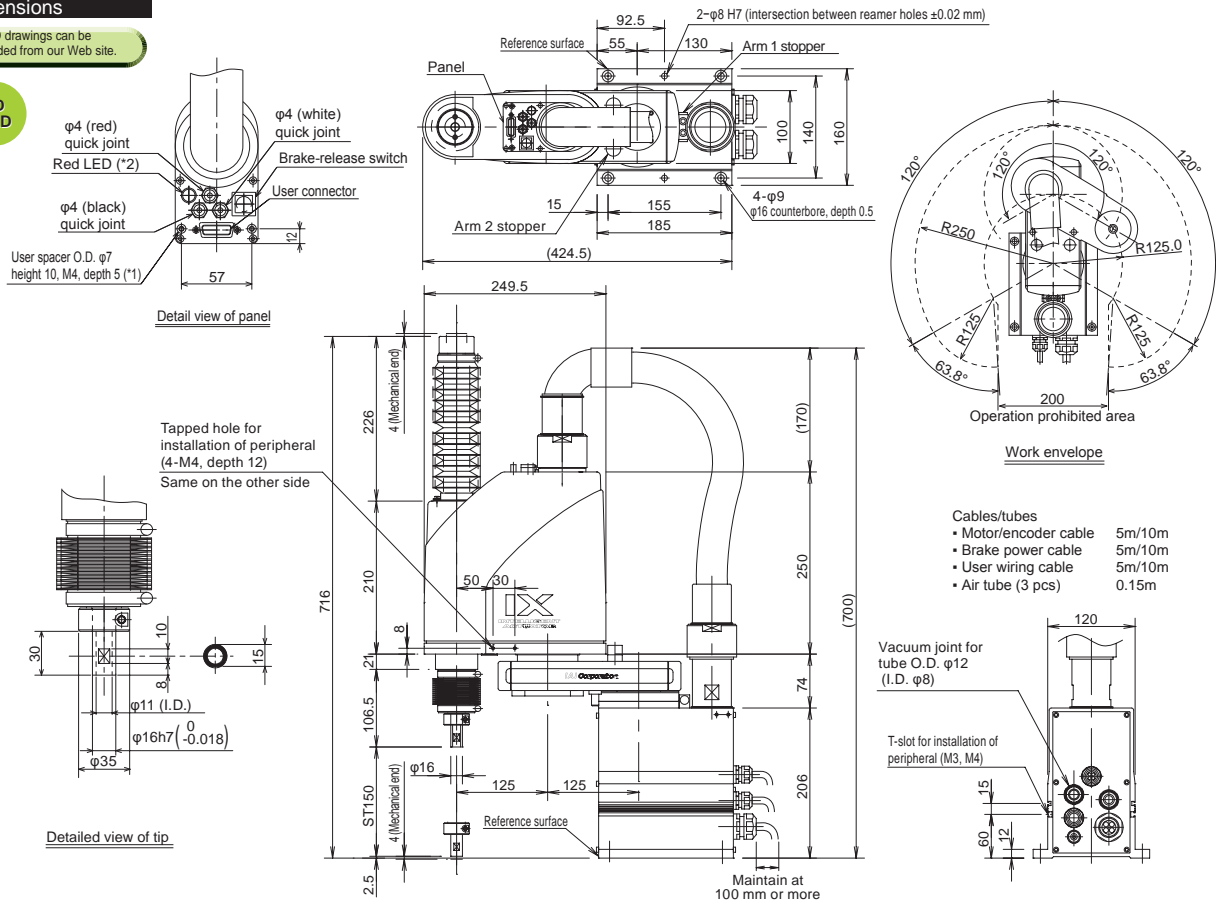
Common Specifications

Encoder type	Absolute	Vacuum joint	Applicable tube O.D. ϕ 12
User wiring	15-conductor AWG26 D-sub/15-pin connector with shield (socket)	Suction rate (Note 10)	60 N-liter/min
User tubing	Air tube (O.D. ϕ 4, I.D. ϕ 2.5) x 3 (Normal working pressure 0.8 MPa)	Cleanliness class	Conforming to ISO cleanliness class 4 (0.1 μ m)
Alarm indicator (Note 7)	Small red LED indicator x 1 (24 V DC must be supplied.)	Ambient temperature/humidity	Temperature: 0–40 °C, humidity: 20–85%RH or less (no condensation)
Brake-release switch (Note 8)	Allows remote release of Z-axis (24 VDC required)	Unit weight	19Kg
		Cable length (Note 9)	5L: 5 m (standard), 10L: 10 m (optional)

Dimensions

The CAD drawings can be downloaded from our Web site.

2D CAD



*1: The external force applied to a spacer must not exceed 30 N in the axial direction, or 2 N·m in the rotating direction, (for each spacer)

*2: In order to use the LED, the user must wire it so that it responds to the controller's I/O output signal by supplying 24 V DC to the applicable LED terminal in the user wiring.

Applicable Controller Specifications

Applicable Controller	Features	Maximum I/O points (inputs/outputs)	Power-supply voltage	Reference page
XSEL-PX-###-2[3]	Maximum 6 axes, 1600 [2400] W supported	192/192 points	Single-Phase [Three-phase] 230 VAC	p. 37
XSEL-QX-###-2[3]	Safety Category 4 supported			

*The SCARA model with high-power specification [H] needs a 2.4 kW three-phase type controller XSEL-PX/QX-###-3.



For explanations of (Note 1) through (Note 9), refer to page 7. (Note 10) In order to use the cleanroom type in an environment with ISO cleanliness class 4, the air inside the robot must be vacuumed from the air suction outlet located at the side (or back) of the robot base. The suction rate listed in the above table is a general estimate. Increase the suction rate according to the actual operating conditions.

IX-NNC3515[H]

Small SCARA robot, Cleanroom type
 Arm length 350mm, Vertical axis 150mm
 [High-power specification]



Model items	IX	—	NNC3515[H]	—	 	—	T2
Series	Cleanroom type	Type	Arm length 350mm	Cable length	5L : 5 m (standard) 10L: 10 m	Applicable controller	T2: XSEL-PX/QX
	Vertical axis 150mm						

*For details on the model items, refer to page 8.

Model/Specifications

Model	Axis configuration	Arm length (mm)	Motor capacity (W)	Work envelope	Positioning Repeatability (mm) (Note 1)	PTP operation Maximum operating speed (Note 2)	Standard cycle time (sec) (Note 3)	Load capacity (kg) (Note 4)		Axis 3 (vertical axis) push force (N) (Note 5)		Axis 4 allowable load	
								Rated	Maximum	Maximum limit	Minimum limit	Allowable inertial moment (kg·m ²) (Note 6)	Allowable torque (N·m)
IX-NN3515[H]- -T2	Axis 1 Arm 1	225	200	±120°	±0.010 (XY)	3979mm/s [4042mm/s] (Composite speed)	0.58 [0.46]	1	3	90.9 [111.0]	47.5 [58.0]	0.015	1.9
	Axis 2 Arm 2	125	100	±135°									
	Axis 3 Vertical axis	-	100	150mm	±0.010	1106mm/s [1316mm/s]							
	Axis 4 Rotating axis	-	50	±360°	±0.005	1600°/s							

*In the model number above, specify the cable length in .

[] indicates the high-power specification type

*SCARA robots cannot operate continuously at 100% speed and acceleration. For details on the operating conditions, refer to Reference Acceleration/Deceleration Settings on page 44.

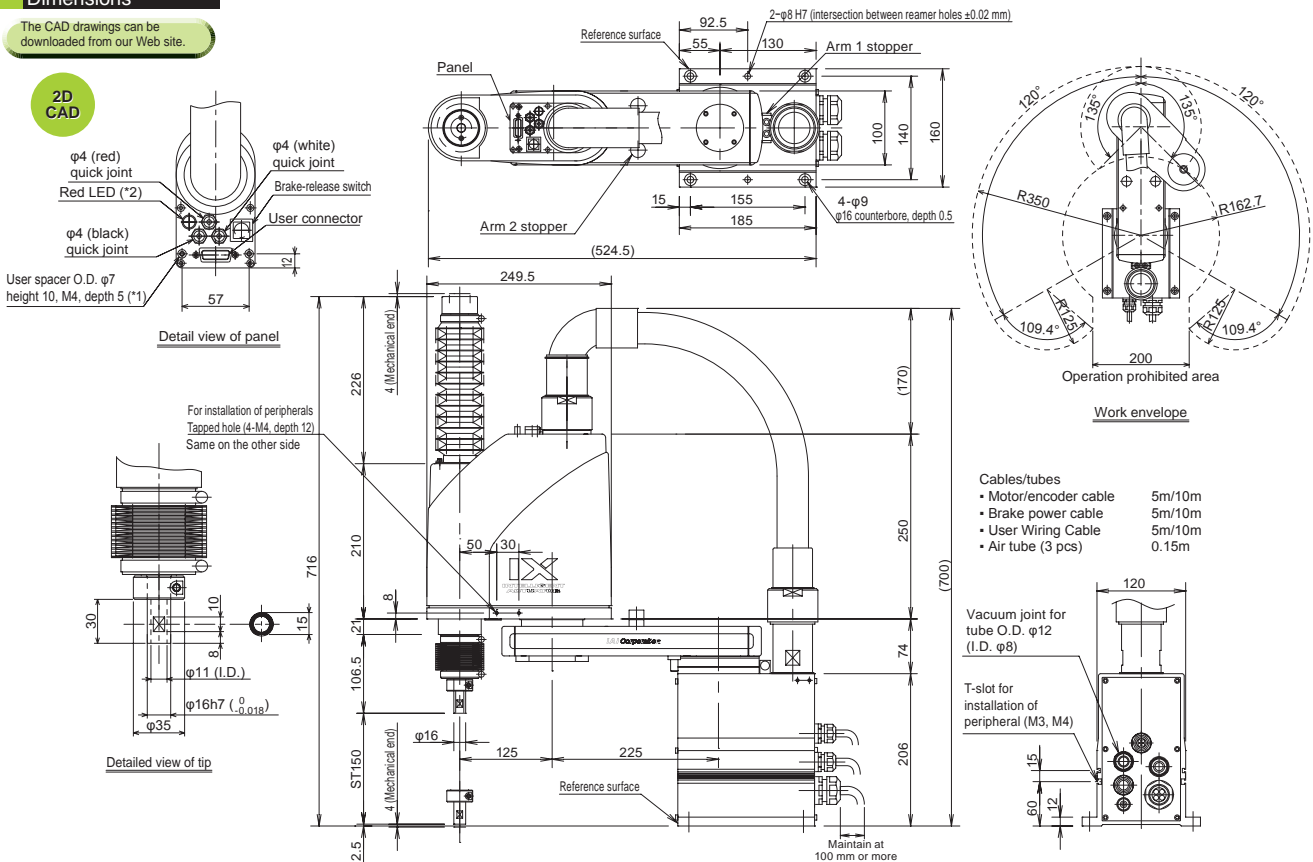
Common Specifications

Encoder type	Absolute	Vacuum joint	Applicable tube O.D. ø12
User wiring	15-conductor AWG26 D-sub/15-pin connector with shield (socket)	Suction rate (Note 10)	60 N-liter/min
User tubing	Air tube (O.D. ø4, I.D. ø2.5) x 3 (Normal working pressure 0.8 MPa)	Cleanliness class	Conforming to ISO cleanliness class 4 (0.1 µm)
Alarm indicator (Note 7)	Small red LED indicator x 1 (24 V DC must be supplied.)	Ambient temperature/humidity	Temperature: 0-40 °C, humidity: 20-85%RH or less (no condensation)
Brake-release switch (Note 8)	Allows remote release of Z-axis (24 VDC required)	Unit weight	20Kg
		Cable length (Note 9)	5L: 5 m (standard), 10L: 10 m (optional)

Dimensions

The CAD drawings can be downloaded from our Web site.

2D CAD



*1: The external force applied to a spacer must not exceed 30 N in the axial direction, or 2 N·m in the rotating direction. (for each spacer)

*2: In order to use the LED, the user must wire it so that it responds to the controller's I/O output signal by supplying 24 V DC to the applicable LED terminal in the user wiring.

Applicable Controller Specifications

Applicable Controller	Features	Maximum I/O points (inputs/outputs)	Power-supply voltage	Reference page
XSEL-PX-###-2[3]	Maximum 6 axes, 1600 [2400] W supported	192/192 points	Single-Phase [Three-phase] 230 VAC	p. 37
XSEL-QX-###-2[3]	Safety Category 4 supported			

*The SCARA model with high-power specification [H] needs a 2.4 kW three-phase type controller XSEL-PX/QX-###-3.



Caution

For explanations of (Note 1) through (Note 9), refer to page 7. (Note 10) In order to use the cleanroom type in an environment with ISO cleanliness class 4, the air inside the robot must be vacuumed from the air suction outlet located at the side (or back) of the robot base. The suction rate listed in the above table is a general estimate. Increase the suction rate according to the actual operating conditions.

IX-NNC60□□[H]

Medium SCARA robot, Cleanroom type
 Arm length 600mm, Vertical axis 200mm (300mm) [High-power specification]



Model items IX — NNC60□□[H] — □ — T2

Series	Type	Cable length	Applicable controller
NNC6020[H]: Arm length 600mm, Vertical axis 200mm NNC6030[H]: Arm length 600mm, Vertical axis 300mm		5L : 5 m (standard) 10L: 10 m	T2: XSEL-PX/QX

*For details on the model items, refer to page 8.

Model/Specifications

Model	Axis configuration	Arm length (mm)	Motor capacity (W)	Work envelope	Positioning Repeatability (mm) (Note 1)	PTP operation Maximum operating speed (Note 2)	Standard cycle time (sec) (Note 3)	Load capacity (kg) (Note 4)		Axis 3 (vertical axis) push force (N) (Note 5)		Axis 4 allowable load	
								Rated	Maximum	Maximum limit	Minimum limit	Allowable inertial moment (kg·m ²) (Note 6)	Allowable torque (N·m)
IX-NNC6020[H]-□-T2 (IX-NNC6030[H]-□-T2)	Axis 1 Arm 1	350	400	±120°	±0.010 (XY)	7121mm/s [7232mm/s] (Composite speed)	0.54 [0.45]	2	10	152 [181]	78 [93]	0.06	3.3 [3.7]
	Axis 2 Arm 2	250	200	±145°									
	Axis 3 Vertical axis	-	200	200mm (300mm)	±0.010	1393mm/s [1473mm/s]							
	Axis 4 Rotating axis	-	100	±360°	±0.005	1200°/s [1857°/s]							

*In the model number above, specify the cable length in □.

[] indicates the high-power specification type

*SCARA robots cannot operate continuously at 100% speed and acceleration. For details on the operating conditions, refer to Reference Acceleration/Deceleration Settings on page 44.

Common Specifications

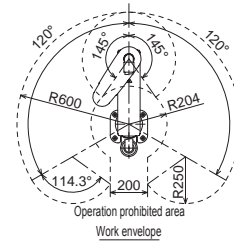
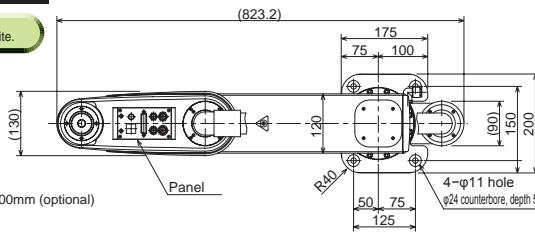
Encoder type	Absolute
User wiring	25-conductor AWG26 D-sub/25-pin connector with shield (socket)
User tubing	Air tube (O.D. ø6, I.D. ø4) x 2 (Normal working pressure 0.8 MPa) Air tube (O.D. ø4, I.D. ø2.5) x 2 (Normal working pressure 0.8 MPa)
Alarm indicator (Note 7)	Small red LED indicator x 1 (24 V DC must be supplied.)
Brake-release switch (Note 8)	Allows remote release of Z-axis (24 VDC required)

Vacuum joint	Quick joint, Applicable tube O.D. ø12
Suction rate (Note 10)	60 N-liter/min
Cleanliness class	Conforming to ISO cleanliness class 4 (0.1 µm)
Ambient temperature/humidity	Temperature: 0–40 °C, humidity: 20–85%RH or less (no condensation)
Unit weight	32.5Kg
Cable length (Note 9)	5L: 5 m (standard), 10L: 10 m (optional)

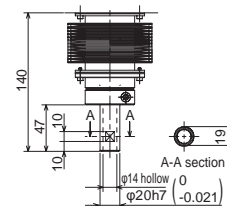
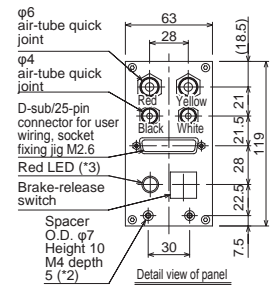
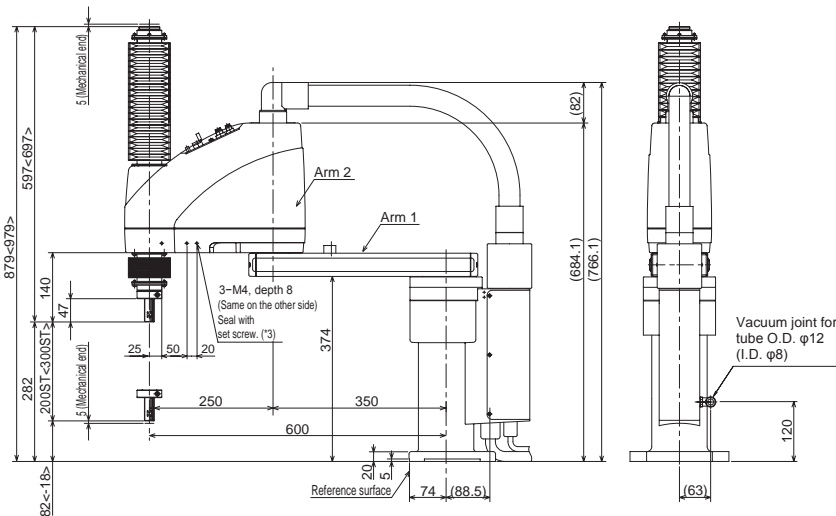
Dimensions

The CAD drawings can be downloaded from our Web site.

2D CAD



* < > indicates vertical axis 300mm (optional) specifications.



- *1: The external force applied to a spacer must not exceed 30 N in the axial direction, or 2 N·m in the rotating direction. (for each spacer)
- *2: In order to use the LED, the user must wire it so that it responds to the controller's I/O output signal by supplying 24 V DC to the applicable LED terminal in the user wiring.
- *3: The prepared hole 3-M4, depth 8 passes through the side panel of the arm. If the mounting screw is long, make sure it does not contact internal components. In addition, be sure to seal screws with tape.

- Cables/tubes
- Motor/encoder cable 5m/10m
- Brake power cable 5m/10m
- User Wiring Cable 5m/10m
- Air tube (4 pcs) 0.15m

Applicable Controller Specifications

Applicable Controller	Features	Maximum I/O points (inputs/outputs)	Power-supply voltage	Reference page
XSEL-PX-###-2[3]	Maximum 6 axes, 1600 [2400] W supported	192/192 points	Single-Phase [Three-phase] 230 VAC	p. 37
XSEL-QX-###-2[3]	Safety Category 4 supported			

*The SCARA model with high-power specification [H] needs a 2.4 kW three-phase type controller XSEL-PX/QX-###-3.



Caution

For explanations of (Note 1) through (Note 9), refer to page 7. (Note 10) In order to use the cleanroom type in an environment with ISO cleanliness class 4, the air inside the robot must be vacuumed from the air suction outlet located at the side (or back) of the robot base. The suction rate listed in the above table is a general estimate. Increase the suction rate according to the actual operating conditions.

IX-NNC70□□[H]

Large SCARA robot, Cleanroom type
 Arm length 700mm, Vertical axis 200mm (400mm) [High-power specification]



Model items	IX — NNC70□□[H] — □ — T2			
Series	Type	Cable length	Applicable controller	
NNC7020[H]: Arm length 700mm, Vertical axis 200mm		5L : 5 m (standard)	T2: XSEL-PX/QX	
NNC7040[H]: Arm length 700mm, Vertical axis 400mm		10L: 10 m		

*For details on the model items, refer to page 8.

Model/Specifications

Model	Axis configuration	Arm length (mm)	Motor capacity (W)	Work envelope	Positioning Repeatability (mm) (Note 1)	PTP operation Maximum operating speed (Note 2)	Standard cycle time (sec) (Note 3)	Load capacity (kg) (Note 4)		Axis 3 (vertical axis) push force (N) (Note 5)		Axis 4 allowable load	
								Rated	Maximum	Maximum limit	Minimum limit	Allowable inertial moment (kg·m ²) (Note 6)	Allowable torque (N·m)
IX-NNC7020[H]-□-T2 (IX-NNC7040[H]-□-T2)	Axis 1 Arm 1	350	750	±125°	±0.010 (XY)	6597mm/s [7010mm/s] (Composite speed)	0.52 [0.45]	5	20	265 [304]	127.3 [146.0]	0.1	6.7 [11.7]
	Axis 2 Arm 2	350	400	±145°									
	Axis 3 Vertical axis	-	400	200mm (400mm)	±0.010	1583mm/s [1614mm/s]							
	Axis 4 Rotating axis	-	200	±360°	±0.005	1200°/s [1266°/s]							

*In the model number above, specify the cable length in □.

*[] indicates the high-power specification type

*SCARA robots cannot operate continuously at 100% speed and acceleration. For details on the operating conditions, refer to Reference Acceleration/Deceleration Settings on page 44.

Common Specifications

Encoder type	Absolute
User wiring	25-conductor AW26 D-sub/25-pin connector with shield (socket)
User tubing	Air tube (O.D. φ6, I.D. φ4) x 2 (Normal working pressure 0.8 MPa)
	Air tube (O.D. φ4, I.D. φ2.5) x 2 (Normal working pressure 0.8 MPa)
Alarm indicator (Note 7)	Small red LED indicator x 1 (24 V DC must be supplied.)
Brake-release switch (Note 8)	Allows remote release of Z-axis (24 VDC required)

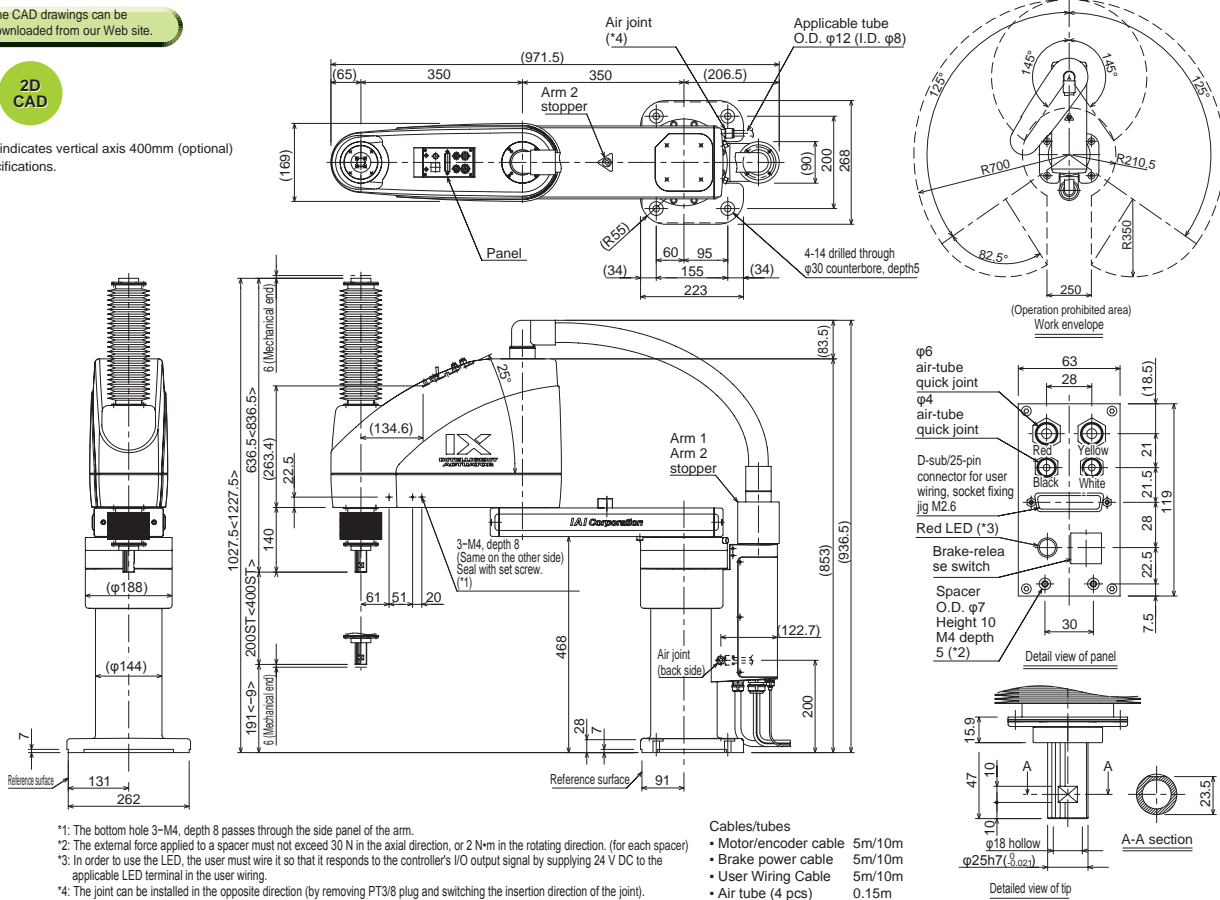
Vacuum joint	Quick joint, Applicable tube O.D. φ12
Suction rate (Note 10)	80 N-liter/min
Cleanliness class	Conforming to ISO cleanliness class 4 (0.1 μm)
Ambient temperature/humidity	Temperature: 0-40 °C, humidity: 20-85%RH or less (no condensation)
Unit weight	60Kg
Cable length (Note 9)	5L: 5 m (standard), 10L: 10 m (optional)

Dimensions

The CAD drawings can be downloaded from our Web site.

2D CAD

* < > indicates vertical axis 400mm (optional) specifications.



Applicable Controller Specifications

Applicable Controller	Features	Maximum I/O points (inputs/outputs)	Power-supply voltage	Reference page
XSEL-PX-##-2[3]	Maximum 6 axes, 1600 [2400] W supported	192/192 points	Single-Phase [Three-phase] 230 VAC	p. 37
XSEL-QX-##-2[3]	Safety Category 4 supported			

*The SCARA model with high-power specification [H] needs a 2.4 kW three-phase type controller XSEL-PX/QX-##-3.



For explanations of (Note 1) through (Note 9), refer to page 7. (Note 10) In order to use the cleanroom type in an environment with ISO cleanliness class 4, the air inside the robot must be vacuumed from the air suction outlet located at the side (or back) of the robot base. The suction rate listed in the above table is a general estimate. Increase the suction rate according to the actual operating conditions.

IX-NNC80□□[H]

Large SCARA robot, Cleanroom type
 Arm length 800mm, Vertical axis 200mm
 (400mm) [High-power specification]



Model items		IX — NNC80□□[H] — □ — T2	
Series	Type	Cable length	Applicable controller
NNC8020[H]: Arm length 800mm, Vertical axis 200mm NNC8040[H]: Arm length 800mm, Vertical axis 400mm		5L : 5 m (standard) 10L: 10 m	T2: XSEL-PX/QX

*For details on the model items, refer to page 8.

Model/Specifications

Model	Axis configuration	Arm length (mm)	Motor capacity (W)	Work envelope	Positioning Repeatability (mm) (Note 1)	PTP operation Maximum operating speed (Note 2)	Standard cycle time (sec) (Note 3)	Load capacity (kg) (Note 4)		Axis 3 (vertical axis) push force (N) (Note 5)		Axis 4 allowable load	
								Rated	Maximum	Maximum limit	Minimum limit	Allowable inertial moment (kg·m ²) (Note 6)	Allowable torque (N·m)
IX-NNC8020[H]-□-T2 (IX-NNC8040[H]-□-T2)	Axis 1 Arm 1	450	750	±125°	±0.010 (XY)	7121mm/s [7586mm/s] (Composite speed)	0.52 [0.46]	5	20	265 [304]	127.3 [146.0]	0.1	6.7 [11.7]
	Axis 2 Arm 2	350	400	±145°									
	Axis 3 Vertical axis	-	400	200mm (400mm)	±0.010	1583mm/s [1614mm/s]							
	Axis 4 Rotating axis	-	200	±360°	±0.005	1200°/s [1266°/s]							

*In the model number above, specify the cable length in □.

[] indicates the high-power specification type

*SCARA robots cannot operate continuously at 100% speed and acceleration. For details on the operating conditions, refer to Reference Acceleration/Deceleration Settings on page 44.

Common Specifications

Encoder type	Absolute
User wiring	25-conductor AW26 D-sub/25-pin connector with shield (socket)
User tubing	Air tube (O.D. φ6, I.D. φ4) x 2 (Normal working pressure 0.8 MPa)
	Air tube (O.D. φ4, I.D. φ2.5) x 2 (Normal working pressure 0.8 MPa)
Alarm indicator (Note 7)	Small red LED indicator x 1 (24 V DC must be supplied.)
Brake-release switch (Note 8)	Allows remote release of Z-axis (24 VDC required)

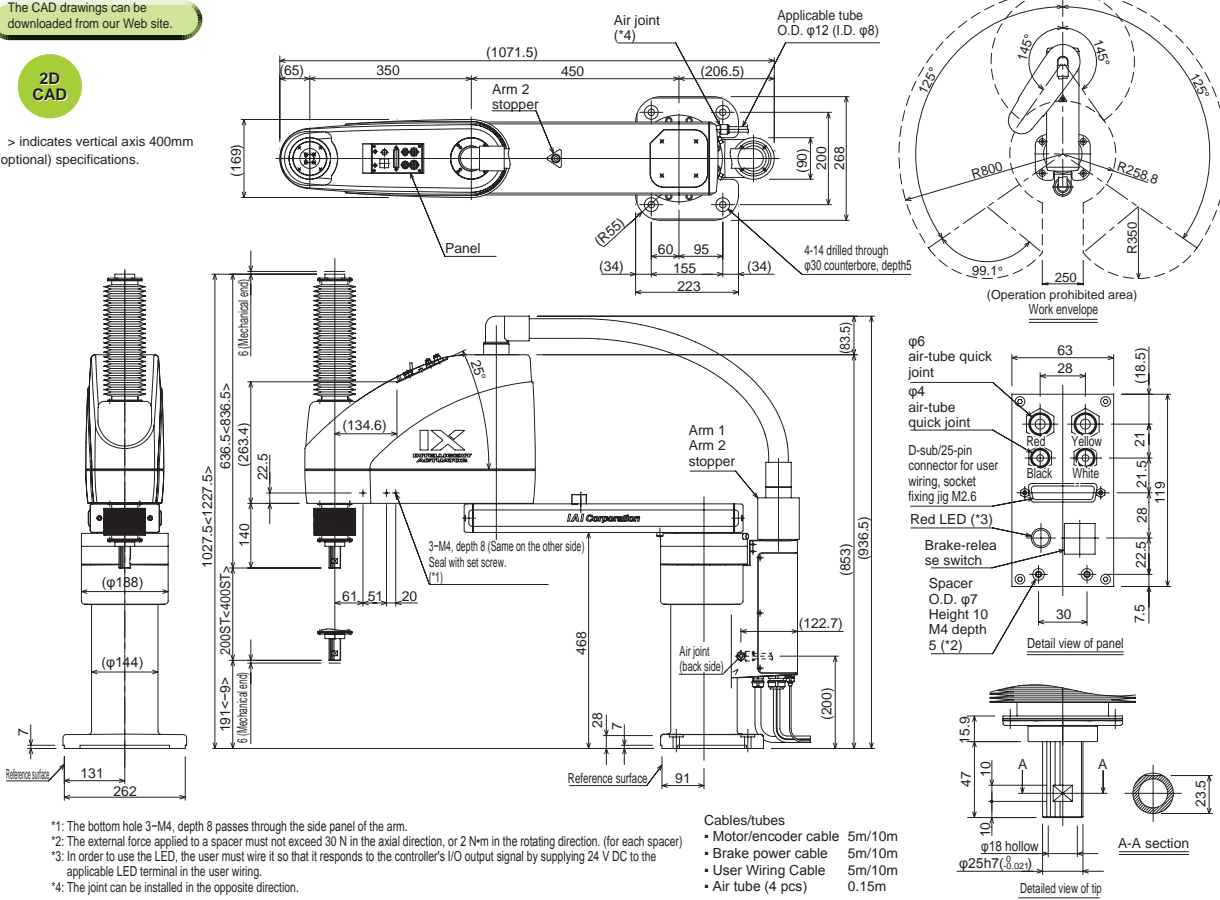
Vacuum joint	Quick joint, Applicable tube O.D. φ12
Suction rate (Note 10)	80 N-liter/min
Cleanliness class	Conforming to ISO cleanliness class 4 (0.1 μm)
Ambient temperature/humidity	Temperature: 0–40 °C, humidity: 20–85%RH or less (no condensation)
Unit weight	62Kg
Cable length (Note 9)	5L: 5 m (standard), 10L: 10 m (optional)

Dimensions

The CAD drawings can be downloaded from our Web site.



* < > indicates vertical axis 400mm (optional) specifications.



- *1: The bottom hole 3-M4, depth 8 passes through the side panel of the arm.
- *2: The external force applied to a spacer must not exceed 30 N in the axial direction, or 2 N·m in the rotating direction. (for each spacer)
- *3: In order to use the LED, the user must wire it so that it responds to the controller's I/O output signal by supplying 24 V DC to the applicable LED terminal in the user wiring.
- *4: The joint can be installed in the opposite direction.

- Cables/tubes
- Motor/encoder cable 5m/10m
 - Brake power cable 5m/10m
 - User Wiring Cable 5m/10m
 - Air tube (4 pcs) 0.15m

Applicable Controller Specifications

Applicable Controller	Features	Maximum I/O points (inputs/outputs)	Power-supply voltage	Reference page
XSEL-PX-###-2[3]	Maximum 6 axes, 1600 [2400] W supported	192/192 points	Single-Phase [Three-phase] 230 VAC	p. 37
XSEL-QX-###-2[3]	Safety Category 4 supported			

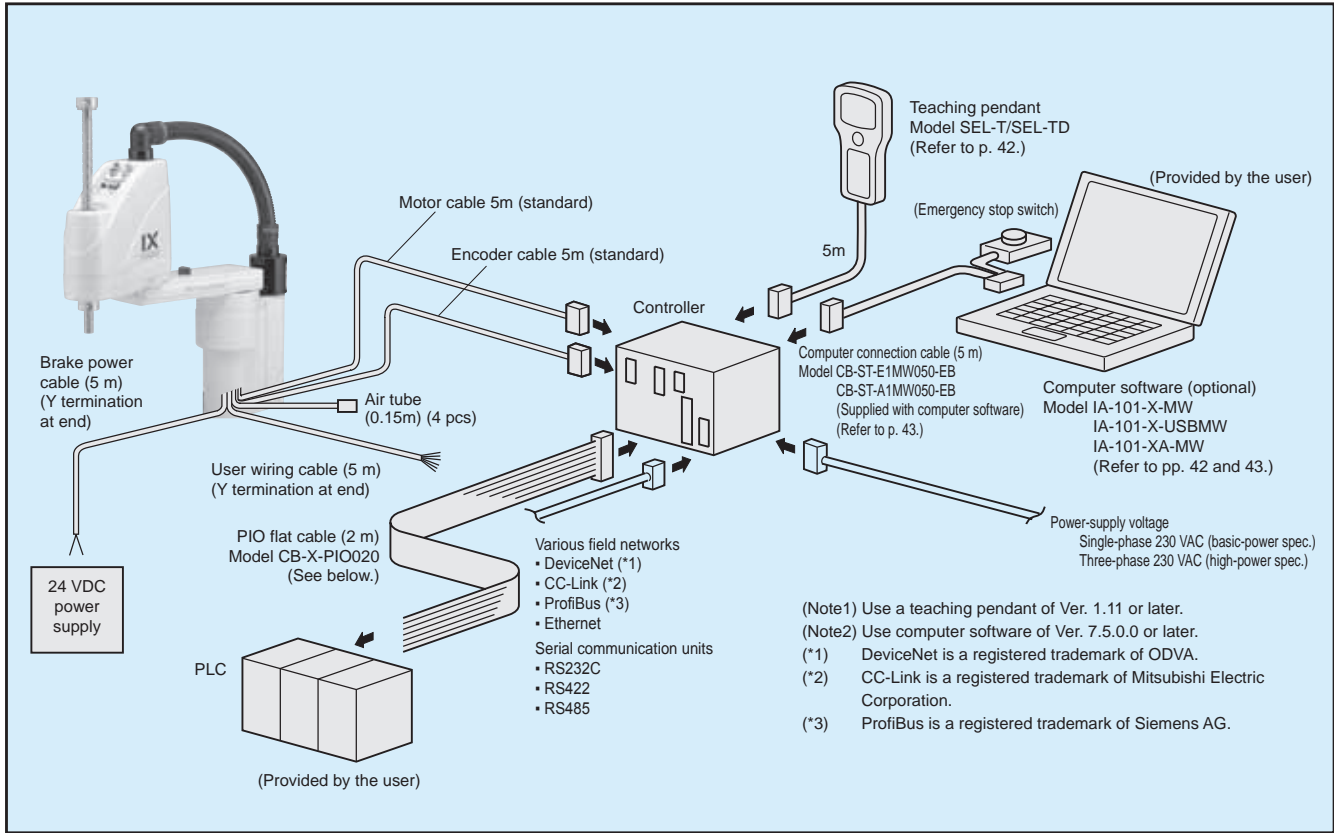
*The SCARA model with high-power specification [H] needs a 2.4 kW three-phase type controller XSEL-PX/QX-###-3.



Caution

For explanations of (Note 1) through (Note 9), refer to page 7. (Note 10) In order to use the cleanroom type in an environment with ISO cleanliness class 4, the air inside the robot must be vacuumed from the air suction outlet located at the side (or back) of the robot base. The suction rate listed in the above table is a general estimate. Increase the suction rate according to the actual operating conditions.

SCARA Robot Series System Configuration Drawing



Robot Accessories

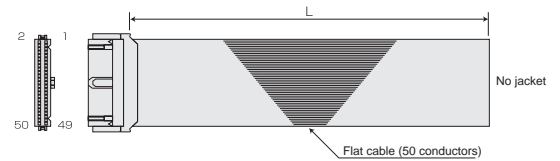
- Caution labels
- Positioning seals
- Eyebolts
- Service connectors



Controller Accessories

- PIO flat cable *□□□ represents the cable length (L); supports up to 10 m. Example: 080 = 8 m

Model **CB-X-PIO□□□□**



Number	Color	Wire	Number	Color	Wire	Number	Color	Wire
1	Brown 1	Flat cable, pressure-welded	18	Gray 2	Flat cable, pressure-welded	35	Green 4	Flat cable, pressure-welded
2	Red 1		19	White 2		36	Blue 4	
3	Orange 1		20	Black 2		37	Purple 4	
4	Yellow 1		21	Brown-3		38	Gray 4	
5	Green 1		22	Red 3		39	White 4	
6	Blue 1		23	Orange 3		40	Black 4	
7	Purple 1		24	Yellow 3		41	Brown-5	
8	Gray 1		25	Green 3		42	Red 5	
9	White 1		26	Blue 3		43	Orange 5	
10	Black 1		27	Purple 3		44	Yellow 5	
11	Brown-2		28	Gray 3		45	Green 5	
12	Red 2		29	White 3		46	Blue 5	
13	Orange 2		30	Black 3		47	Purple 5	
14	Yellow 2		31	Brown-4		48	Gray 5	
15	Green 2		32	Red 4		49	White 5	
16	Blue 2		33	Orange 4		50	Black 5	
17	Purple 2		34	Yellow 4				

Robot Options

Name	Model	Description	Reference page
Absolute data storage battery	AB-3	Battery for storing the encoder's absolute data	p. 36
Absolute reset adjustment jig	JG-1~4	Jig needed to perform an absolute reset	
Flange	IX-FL-1~3	Flange for mounting objects on the tip of the Z-axis	

Controller Options

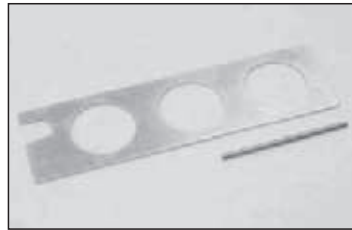
Name	Model	Description	Reference page
Teaching pendant (dustproof)	SEL-T	Compatible with protective structure IP54	p. 42
Teaching pendant (ANSI)	SEL-TD	Complies with CE/ANSI protocols	
Computer software (DOS/V)	IA-101-X-MW	Allows for input and editing of position data, programs, parameters, etc. as well as manual operations.	p. 43
Computer software (USB)	IA-101-X-USBMW	With a USB-compatible computer connection cable	
Computer software (compatible with Safety Category 4)	IA-101-XA-MW	With a communication cable providing a redundant emergency stop circuit	

SCARA Robot Series Robot Options

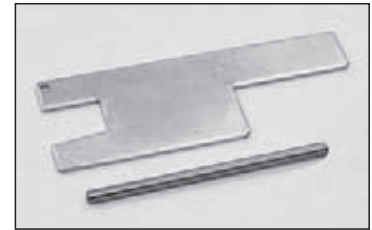
Absolute reset adjustment jig

The adjustment jig is used if it is necessary to perform an absolute reset when the encoder's absolute data is lost.

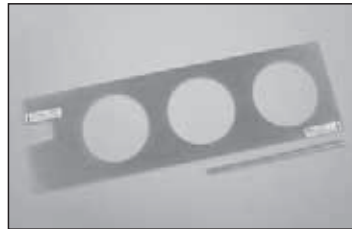
Model	Note
JG-1	For arm length 500/600
JG-2	For arm length 250/350
JG-3	For arm length 700/800
JG-4	For high-speed type, arm length 500/600



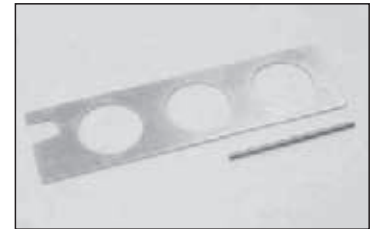
JG-1



JG-2



JG-3



JG-4

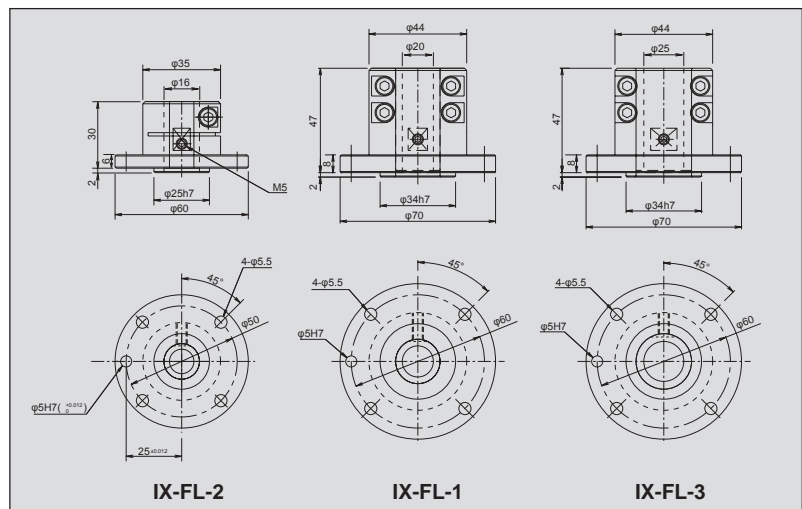
Flange

Use a flange when mounting an object on the tip of the Z-axis arm.

Model	Note
IX-FL-1	For arm length 500/600
IX-FL-2	For arm length 250/350 For high-speed type, arm length 500/600
IX-FL-3	For arm length 700/800

Note

Use IX-FL-2 with arm length 500/600 of the high-speed type.



SCARA Robot Series Maintenance Parts

Absolute data backup battery

This battery is used to store the encoder's absolute data. (Install the battery behind the rear cover of the SCARA robot.)

Model	Note
AB-3	For arm length 250–800

*Four batteries are required for each robot (all SCARA robot models). Since the AB-3 package contains a single battery, be sure to specify the required number when ordering.



AB-3



X-SEL PX/QX

Program controller for SCARA robots

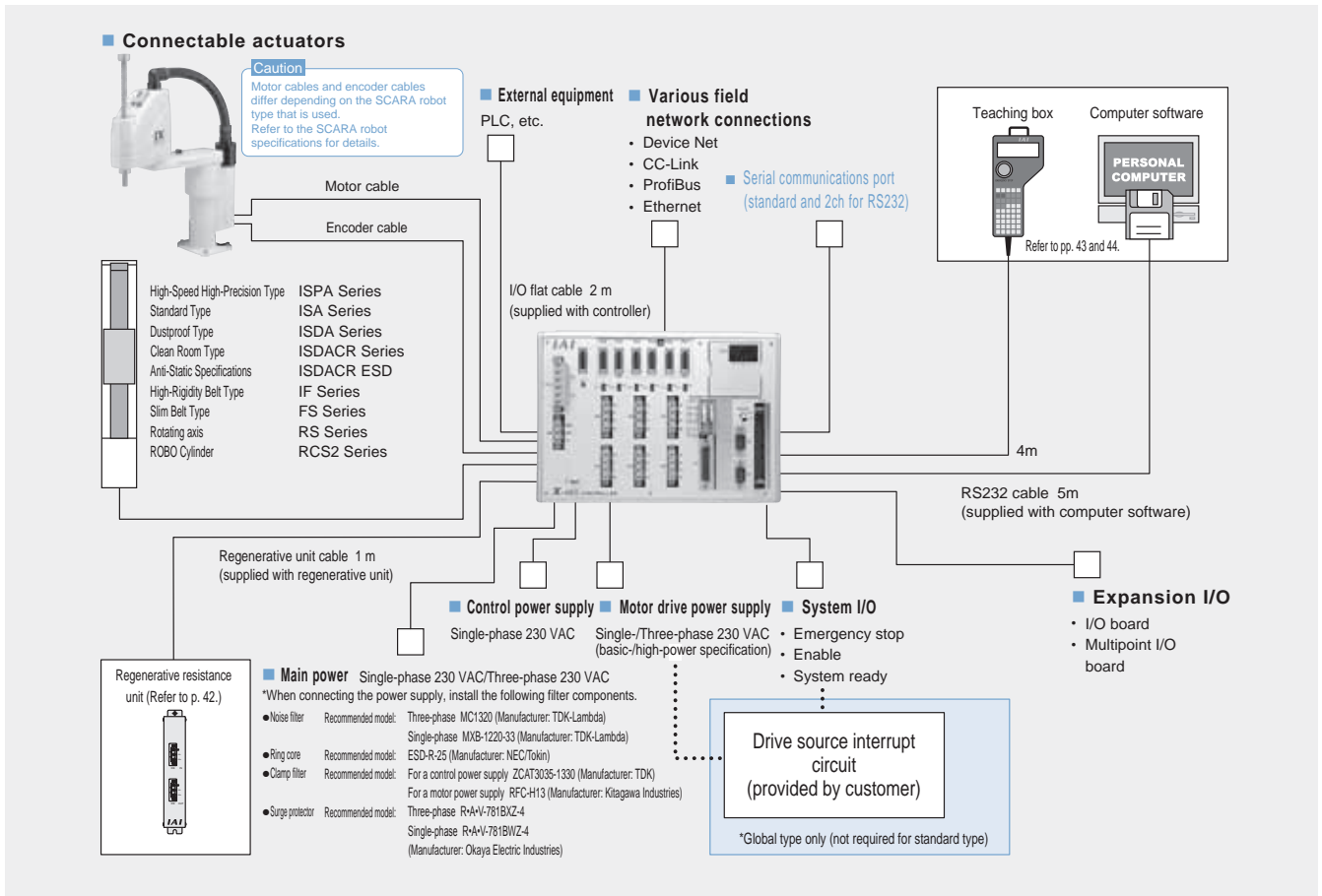


Model List

These multiple-axes program controllers can be used to control SCARA robots. They can control a maximum of 6 axes simultaneously.

Type name	PX	QX
Name	Large-capacity standard type	Large-capacity global type (safety-category-compatible specifications)
External view		
Description	Capable of operating a SCARA robot and 2 single-axis robots	PX type compatible with the Safety Category 4
Maximum number of controlled axes	6 axes	
Number of programs	128 points	
Number of program steps	9999 steps	
Number of positions	20000 positions	
Total wattage for connectable axes	Basic-power type: 1600 W / High-power type: 2400 W	
Power	Basic-power type: Single-phase 230 VAC / High-power type: Three-phase 230 VAC	
Safety category	B	Complies with Category 4
Safety rating	CE	CE, ANSI
ROBO Cylinder gateway function	Standard equipment	Standard equipment

System Configuration



Model

[XSEL-PX/QX type]

*The specifications for axis 5 and axis 6 are entered for models PX5/QX5/PX6/QX6.
 *With arm length 700/800, the maximum number of connected axes is 5 (SCARA + single axis).
 *With the high-speed type, the maximum number of connected axes is 4 (SCARA only).

XSEL - [] - [] - ([] [] []) - ([] [] []) - [] - [] - [] - [] - [] - []

Series Type IX Model (Axis 5 details) (Axis 6 details) (Slot 1) (Slot 2) (Slot 3) (Slot 4) I/O Cable length Power/Voltage

Motor Type Encoder Type Option Motor Type Encoder Type Option Network Slot Standard I/O Expansion I/O

PX4	Large-Capacity 4-Axis Type
PX5	Large-Capacity 5-Axis Type
PX6	Large-Capacity 6-Axis Type
QX4	Large-Capacity Global 4-Axis Type
QX5	Large-Capacity Global 5-Axis Type
QX6	Large-Capacity Global 6-Axis Type

B	Brake
C	Creep Sensor
L	Home Sensor/LS-Compatible
M	Master axis specification
S	Slave Axis Specification

I	Incremental
A	Absolute

B	Brake
C	Creep Sensor
L	Home Sensor/LS-Compatible
M	Master axis specification
S	Slave Axis Specification

2	Single-Phase 230 VAC
3	Three-Phase 230 VAC

0	No Cable
2	2m
3	3m
5	5m

NNN2515[H]-8040[H]	Standard Type
NSN5016[H]-6016[H]	High-Speed Type
NNC2515[H]-8040[H]	Clean Room Type
NNW2515[H]-8040[H]	Splash-proof Type
TNN3015[H]-3515[H]	Wall Mount type
UNN3015[H]-3515[H]	Wall Mount Inverse Type
HNN5020[H]-8040[H]	Ceiling Mount Type
INN5020[H]-8040[H]	Ceiling Mount Inverse type

None	Not Used
DV	DeviceNet Connection Board
CC	CC-Link Connection Board
PR	Profibus Connection Board
ET	Ethernet Connection Board

E	Not Used
N1	Input 32/Output 16 (NPN)
N2	Input 16/Output 32 (NPN)
N3	Input 48/Output 48 (NPN)
P1	Input 32/Output 16 (PNP)
P2	Input 16/Output 32 (PNP)
P3	Input 48/Output 48 (PNP)
S	With Expansion I/O Base

*If no expansion I/O is used, enter "E" (Not Used) for slot 2 to slot 4.
 If an expansion I/O is to be used, enter the expansion I/O code (listed on the left side) at the slot position where it is to be installed.
 If an expansion I/O is specified, the controller chassis must be specified as the one with the expansion I/O base.
 If an expansion I/O will not initially be used, but will be installed later, be sure to order a chassis with an expansion I/O base, and enter "S" for slots 2 through 4.

20	20W Servo Motor	200	200W Servo Motor
30D	RCS2 30W Servo Motor	300	300W Servo Motor
30R	RS 30W Servo Motor	400	400W Servo Motor
60	60W Servo Motor	600	600W Servo Motor
100	100W Servo Motor	750	750W Servo Motor
150	150W Servo Motor		

20	20W Servo Motor	200	200W Servo Motor
30D	RCS2 30W Servo Motor	300	300W Servo Motor
30R	RS 30W Servo Motor	400	400W Servo Motor
60	60W Servo Motor	600	600W Servo Motor
100	100W Servo Motor	750	750W Servo Motor
150	150W Servo Motor		

Example: If an expansion I/O is installed into slot 2 and no other slots are to be used
 If only the expansion I/O base is to be installed and no expansion I/O are to be used

XSEL-PX4-NNN1205-N1-N1EE-2-3
 XSEL-PX4-NNN1205-N1-SSS-2-3

Note

Axis 5 and axis 6 of the XSEL-PX/QX type cannot operate LSA series or RCS2-RA7/SRA7 series actuators.

Table of Specifications

Item	Description	
Controller type	PX	QX
Number of controlled axes	6 axes	
Maximum output of connected axes	1600 W (1-phase) / 2400 W (3-phase)	
Control power input	Single-phase 230 VAC, ±15%+10%	
Motor power input	1.6 kW type: single-phase 230 VAC, -15% +10% / 2.4 kW type: three-phase 230 VAC, ±10%	
Power-supply capacity	Max. 3350 VA (*1)	
Safety circuit configuration	Redundancy not supported	Redundancy supported
Drive source cutoff method	Internal cutoff relay	External cutoff relay
Enable input	B contact input	B contact input (duplex)
Position detection method	Incremental/absolute	
Programming language	Super SEL language	
Number of programs	128 programs	
Number of program steps	9999 steps (total)	
Number of positions	20000 positions	
Multitasking	16 programs	
Standard inputs	32 points (total of dedicated inputs + general-purpose inputs)	
Standard outputs	16 points (total of dedicated outputs + general-purpose outputs)	
Expansion inputs/outputs	Total of 384 input/output points (*2)	
Serial communication	Standard equipment	
Operating temperature/humidity	0–40 °C, 10%–95% (no condensation)	
Unit weight	5.2–5.7 kg	4.5–5 kg

(*1) When only a SCARA robot is operated. (*2) When four multipoint I/O boards have been installed.

External Dimensions

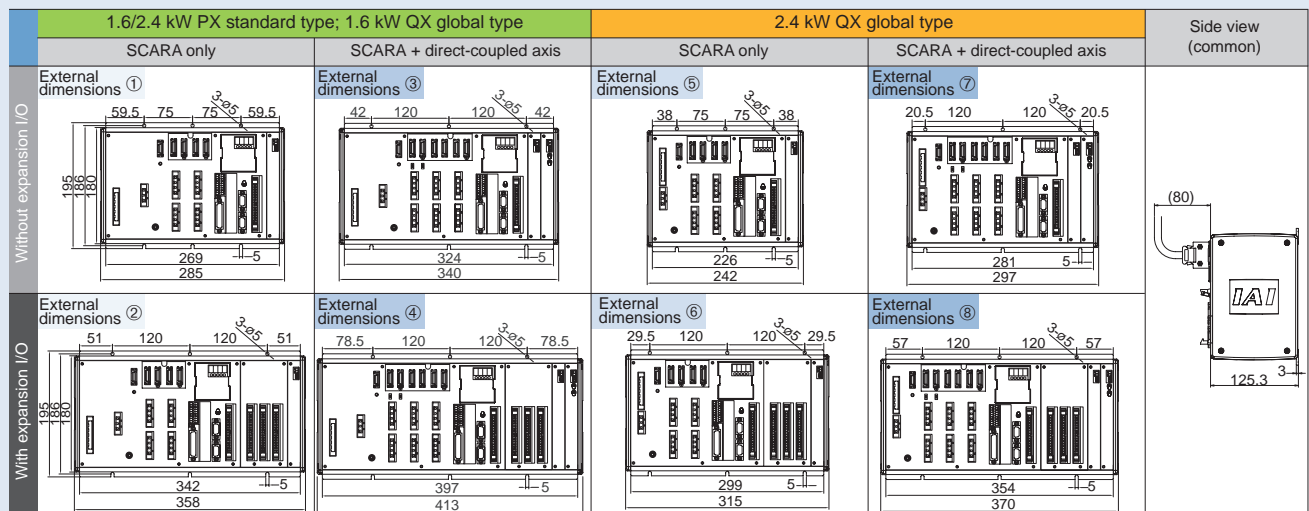
PX large-capacity standard type / QX large-capacity global type

The external dimensions of the X-SEL PX/QX controllers vary depending on the type (arm length) of SCARA robot that is connected, number of axes, whether or not an expansion I/O is installed and the type of direct-coupled axes. Refer to the drawing for the controller with the appropriate number selected from the following table.

SCARA robot		Controller							
Type	Arm length	1.6/2.4 kW (1/3-phase) PX standard type; 1.6 kW (1-phase) QX global type				2.4 kW (3-phase) QX global type			
		SCARA only (PX4; QX4-[.]-2)		SCARA + direct-coupled axis (PX5/PX6; QX5/QX6-[.]-2)		SCARA only (QX4-[.]-3)		SCARA + direct-coupled axis (QX5/QX6-[.]-3)	
		Without expansion I/O	With expansion I/O	Without expansion I/O	With expansion I/O	Without expansion I/O	With expansion I/O	Without expansion I/O	With expansion I/O
Standard type	250–600	Dimensional diagram ①	Dimensional diagram ②	Dimensional diagram ③	Dimensional diagram ④	Dimensional diagram ⑤	Dimensional diagram ⑥	Dimensional diagram ⑦	Dimensional diagram ⑧
Cleanroom type				(*2)	(*2)			(*2)	(*2)
Wall-mount type	700–800	Dimensional diagram ③	Dimensional diagram ④			Dimensional diagram ⑦	Dimensional diagram ⑧		
Ceiling-mount type		(*1)	(*1)			(*1)	(*1)		
High-speed type	500–600			—	—			—	—

(*1) Due to a large motor wattage of the SCARA robot, the external dimensions are for the 6-axes configuration, even though only four axes are installed.

(*2) With arm length 700/800, the maximum number of connected axes is 5 (SCARA + single axis).

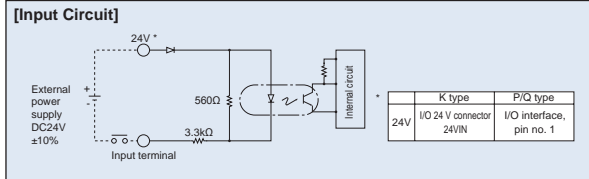


* All controller types have the same height.

I/O Wiring Diagrams

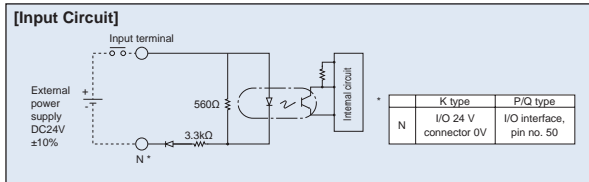
Input section External input specifications (NPN specifications)

Item	Specifications
Input power supply	24 V DC $\pm 10\%$
Input current	7 mA/circuit
On/Off voltage	On voltage...Min. 16.0 V DC, Off voltage...Max. 5.0 V DC
Insulation method	Photocoupler insulation
External devices	① No-voltage contact (with a minimum load of approx. 5 V DC/1 mA) ② Photoelectric/proximity sensor (NPN type) ③ Sequencer transistor output (open-collector type) ④ Sequencer contact output (with a minimum load of approx. 5 V DC/1 mA)



Input section External input specifications (PNP specifications)

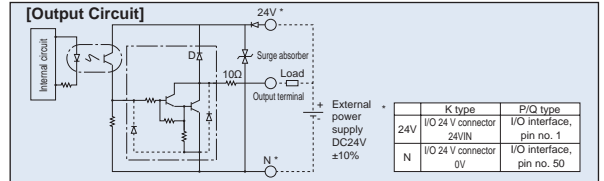
Item	Specifications
Input power supply	24 V DC $\pm 10\%$
Input current	7 mA/circuit
On/Off voltage	On voltage...Min. 8 V DC, Off voltage...Max. 19 V DC
Insulation method	Photocoupler insulation
External devices	① No-voltage contact (with a minimum load of approx. 5 V DC/1 mA) ② Photoelectric/proximity sensor (PNP type) ③ Sequencer transistor output (open-collector type) ④ Sequencer contact output (with a minimum load of approx. 5 V DC/1 mA)



Output section External input specifications (NPN specifications)

Item	Specifications
Load voltage	24 V DC
Maximum load current	100 mA/point, 400 mA peak (total current)
Leak current	Max. 0.1 mA/point
Insulation method	Photocoupler insulation
External devices	① Miniature relay, ② Sequencer input unit

Uses TD62084 (or equivalent).

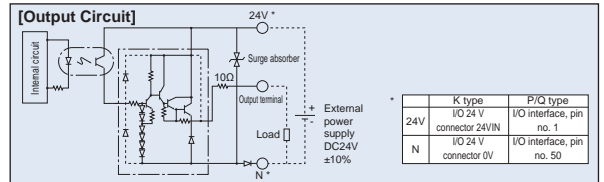


Output section External input specifications (PNP specifications)

Item	Specifications
Load voltage	24 V DC
Maximum load current	100 mA/point 400 mA/8 ports (Note)
Leak current	Max. 0.1 mA/point
Insulation method	Photocoupler insulation
External devices	① Miniature relay, ② Sequencer input unit

Uses TD62784 (or equivalent).

(Note) The maximum total load current for every 8 ports from output port no. 300 is limited to 400 mA. (The total maximum load current for output port no. 300 + n to no. 300 + n + 7 is 400 mA, where n = 0 or a multiple of 8.)



I/O Signal Chart

Standard I/O Signal Chart (if N1 or P1 was selected)

Pin No.	Category	Port No.	Standard Setting
1		—	(P/Q types: 24V connection; K type: NC)
2		000	Program start
3		001	General-purpose input
4		002	General-purpose input
5		003	General-purpose input
6		004	General-purpose input
7		005	General-purpose input
8		006	General-purpose input
9		007	Program specification (PRG No. 1)
10		008	Program specification (PRG No. 2)
11		009	Program specification (PRG No. 4)
12		010	Program specification (PRG No. 8)
13		011	Program specification (PRG No. 10)
14		012	Program specification (PRG No. 20)
15		013	Program specification (PRG No. 40)
16		014	General-purpose input
17	Input	015	General-purpose input
18		016	General-purpose input
19		017	General-purpose input
20		018	General-purpose input
21		019	General-purpose input
22		020	General-purpose input
23		021	General-purpose input
24		022	General-purpose input
25		023	General-purpose input
26		024	General-purpose input
27	025	General-purpose input	
28	026	General-purpose input	
29	027	General-purpose input	
30	028	General-purpose input	
31	029	General-purpose input	
32	030	General-purpose input	
33	031	General-purpose input	
34	300	Alarm output	
35	301	Ready output	
36	302	Emergency stop output	
37	303	General-purpose output	
38	304	General-purpose output	
39	305	General-purpose output	
40	306	General-purpose output	
41	307	General-purpose output	
42	308	General-purpose output	
43	309	General-purpose output	
44	310	General-purpose output	
45	311	General-purpose output	
46	312	General-purpose output	
47	313	General-purpose output	
48	314	General-purpose output	
49	315	General-purpose output	
50		—	(P/Q types: 0 V connection; K type: NC)

Expansion I/O Signal Chart (if N1 or P1 was selected)

Pin No.	Category	Standard Setting
1		(P/Q types: 24V connection; K type: NC)
2		General-purpose input
3		General-purpose input
4		General-purpose input
5		General-purpose input
6		General-purpose input
7		General-purpose input
8		General-purpose input
9		General-purpose input
10		General-purpose input
11		General-purpose input
12		General-purpose input
13		General-purpose input
14		General-purpose input
15		General-purpose input
16		General-purpose input
17	Input	General-purpose input
18		General-purpose input
19		General-purpose input
20		General-purpose input
21		General-purpose input
22		General-purpose input
23		General-purpose input
24		General-purpose input
25		General-purpose input
26		General-purpose input
27	General-purpose input	
28	General-purpose input	
29	General-purpose input	
30	General-purpose input	
31	General-purpose input	
32	General-purpose input	
33	General-purpose input	
34	General-purpose output	
35	General-purpose output	
36	General-purpose output	
37	General-purpose output	
38	General-purpose output	
39	General-purpose output	
40	General-purpose output	
41	General-purpose output	
42	General-purpose output	
43	General-purpose output	
44	General-purpose output	
45	General-purpose output	
46	General-purpose output	
47	General-purpose output	
48	General-purpose output	
49	General-purpose output	
50		(P/Q types: 0 V connection; K type: NC)

Expansion I/O Signal Chart (if N2 or P2 was selected)

Pin No.	Category	Standard Setting
1		(P/Q types: 24V connection; K type: NC)
2		General-purpose input
3		General-purpose input
4		General-purpose input
5		General-purpose input
6		General-purpose input
7		General-purpose input
8		General-purpose input
9	Input	General-purpose input
10		General-purpose input
11		General-purpose input
12		General-purpose input
13		General-purpose input
14		General-purpose input
15		General-purpose input
16		General-purpose input
17		General-purpose input
18		General-purpose output
19	General-purpose output	
20	General-purpose output	
21	General-purpose output	
22	General-purpose output	
23	General-purpose output	
24	General-purpose output	
25	General-purpose output	
26	General-purpose output	
27	General-purpose output	
28	General-purpose output	
29	General-purpose output	
30	General-purpose output	
31	General-purpose output	
32	General-purpose output	
33	General-purpose output	
34	Output	General-purpose output
35		General-purpose output
36		General-purpose output
37		General-purpose output
38		General-purpose output
39		General-purpose output
40		General-purpose output
41		General-purpose output
42		General-purpose output
43		General-purpose output
44	General-purpose output	
45	General-purpose output	
46	General-purpose output	
47	General-purpose output	
48	General-purpose output	
49	General-purpose output	
50		(P/Q types: 0 V connection; K type: NC)

Options

■Regenerative resistance unit

Model **REU-1**

Description

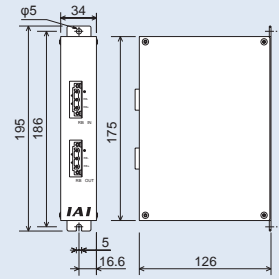
This unit converts to heat the regenerative current generated when the motor decelerates. The controller has a built-in regenerative resistor; however, its capacity is insufficient with a vertically positioned axis and a large load. Therefore, a regenerative unit is required. (Refer to the table at the right.)

Specifications

Item	Specifications
Unit dimensions	34 mm (W) × 195 mm (H) × 126 mm (D)
Unit weight	0.9Kg
Built-in regenerative resistor	220Ω, 80 W
Accessories	Controller connection cable (1 m) (Model CB-ST-REU010)

Installation Standards

Model	Number of regen. resistors	
NNN	1	
NNW		
TNN		
TNN	3	
UNN		
HNN		
INN	4	
NNC		
NSN	5016[H]	3
	6016[H]	



*The required number listed above is for a single SCARA robot. If single-axis robots are connected as axis 5 or axis 6, refer to the regenerative resistor installation standards for the controller, and then add the required number of regenerative resistors for each single-axis robot that is used.

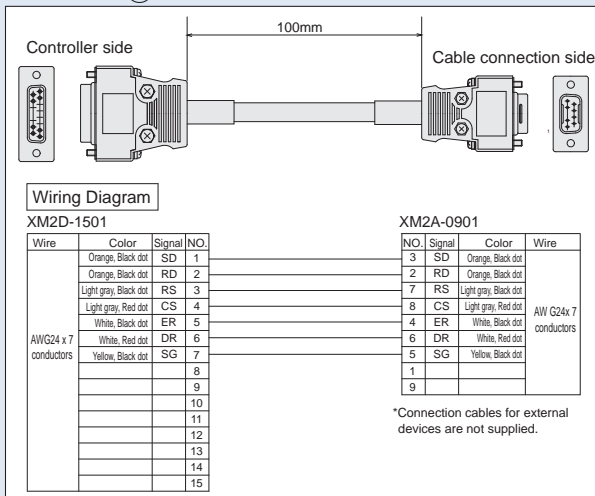
Example) When operating IX-NNN2515H and ISA-MXM (200W): IX-NNN2515[H]; Requires 1 ISA-MXM (200W); Requires 1 Therefore, two regenerative resistance units are required.

■Expansion SIO board (dedicated general-purpose type)

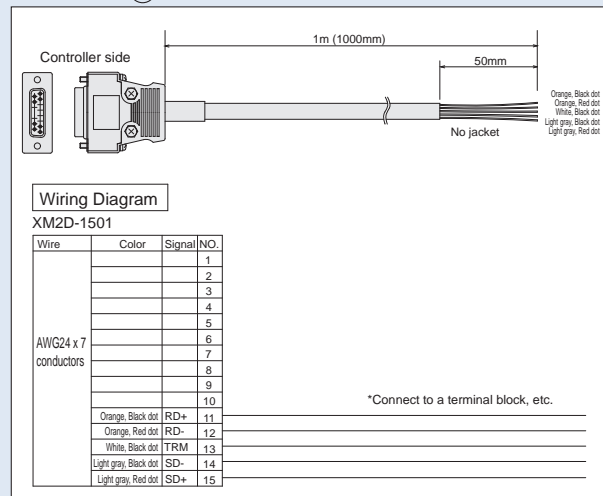
Model/Specifications
IA-105-X-MW-A (for RS232C connections)(main unit + joint cable ①, 2 included)
IA-105-X-MW-B (for RS422 connections)(main unit + joint cable ②, 1 included)
IA-105-X-MW-C (for RS485 connections)(main unit + joint cable ②, 1 included)

Description This board is for serial communications with external devices. This board has two-channel ports, and is compatible with three communication formats using the supplied joint cable.

Joint cable ① Model: CB-ST-232J001



Joint cable ② Model: CB-ST-422J010



■DeviceNet connection board

This is the board for connecting the XSEL controller to DeviceNet.

Item	Specifications
Number of I/O points	1 board: 256 input points/256 output points *Only 1 board can be installed.
Communication standard	Interface module certified under DeviceNet 2.0 (certification to be obtained)
	Group 2 only server
	Insulated node operating on network power supply
Communication specifications	Master/slave connection
	Bit strobe
	Polling
	Cyclic
Baud rate	500 Kbps/250 Kbps/125 Kbps (selectable with DIP switch)
Communication cable length	Baud rate Max. network length Max. branch length Total branch length
	500 Kbps 100m 6m 39m
	250 Kbps 250m 6m 78m
	125 Kbps 500m 6m 156m
Note: When using the thick cable for DeviceNet	
Communication power supply	24 V DC (supplied from DeviceNet)
Communication power supply consumption current	60 mA or more
Number of reserved nodes	1 node
Connector	MSTBA2.5/5-G.08AUM manufactured by Phoenix Contact (*1)

(*1) Cable-side connector (SMSTB2.5/5-ST-5.08AU manufactured by Phoenix Contact) is a standard accessory.

■CC-Link connection board

This is the board for connecting the XSEL controller to CC-Link.

Item	Specifications					
Number of I/O points	1 board: 256 input points/256 output points *Only 1 board can be installed.					
Remote device	1 board: 256 input points/256 output points *Only 1 board can be installed.					
Communication standard	CC-Link Ver. 1.10 (certified)					
Baud rate	10 Mbps/5 Mbps/2.5 Mbps/625 Kbps/156 Kbps (selectable with rotary switch)					
Communication method	Broadcast polling method					
Synchronization method	Frame synchronization method					
Encoding method	NRZI					
Transmission path type	Bus format (EIA-485 (RS485)-compliant)					
Transmission format	HDLC-compliant					
Error control system	CRC (X ¹⁶ +X ¹² +X ⁵ +X ¹)					
Number of reserved stations	1 to 3 stations (remote device stations)					
Communication cable length	Baud rate (bps)	10M	5M	2.5M	625K	156K
	Cable length (m)	100	160	400	900	1200
Connector (controller side)	MSTBA2.5/5-G.08-AUM manufactured by Phoenix Contact (*1)					

(*1) Cable-side connector (SMSTB2.5/5-ST-5.08AU manufactured by Phoenix Contact) is a standard accessory.

Teaching pendant conforming to ANSI standards/CE mark (dedicated general-purpose type)

Model **SEL-T**
SEL-TD (ANSI-compliant)

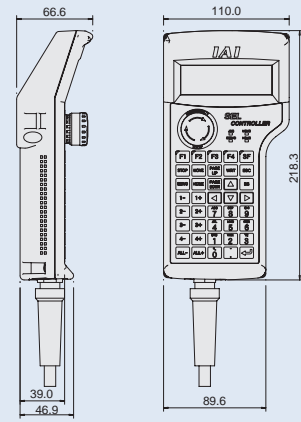
Features The splash-proof type complies to protection rating IP54. Usability has been enhanced by incorporating dedicated keys programmed for each function. In addition, SEL-TD is equipped with a 3-position enable switch and supports ANSI standards.

Specifications

Item	Specifications
Operating temperature/humidity	Temperature: 0-40 °C, humidity: 30-85%RH or less (no condensation)
Protective structure	IP54 (excluding the cable connector)
Weight	400g or less (excluding the cable)
Cable length	5 m
Display	32-character x 8-row LCD display
Safety rating	CE mark, ANSI standards (*)

(*) ANSI standards are supported only by SEL-TD.

Dimensions



Note

* When operating the controller described in this catalog, be sure to use Ver. 1.11 or later.

Computer software (for XSEL-PX, Windows only)

Model **IA-101-X-MW** (DOS/V version)

*Contact us for information about the PC98 version.

Note

*In order to operate the controllers described in this catalog, use software of Ver. 7.5.0.0 or later.
*Use model IA-101-XA-MW when a controller conforming to Safety Category 4 is required.

Features This startup assistance software provides functions for program/position input, test operation and monitoring. The functions needed for debugging have been enhanced significantly to help reduce startup time.

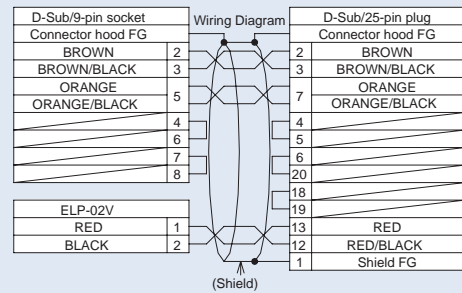
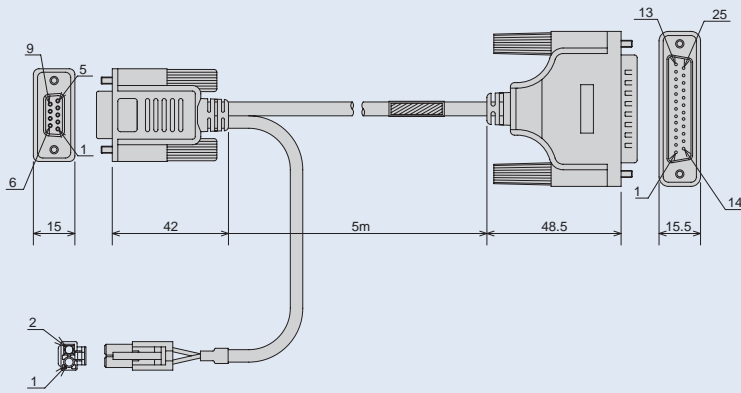
Description

- Software (CD-ROM)
- (Compatible with Windows 98, NT, 2000, ME and XP)
- Computer connection cable (5 m) + emergency stop box (Model CB-ST-E1MW050-EB)

Computer connection cable (Model CB-ST-E1MW050)

Note

When ordering a computer connection cable separately for maintenance purposes, specify model CB-ST-E1MW050 for only the cable. When ordering a computer connection cable and an emergency stop box as a set, specify model CB-ST-E1MW050-EB.



Computer software compatible with Safety Category 4 (for XSEL-QX only)

Model IA-101-XA-MW (DOS/V version)

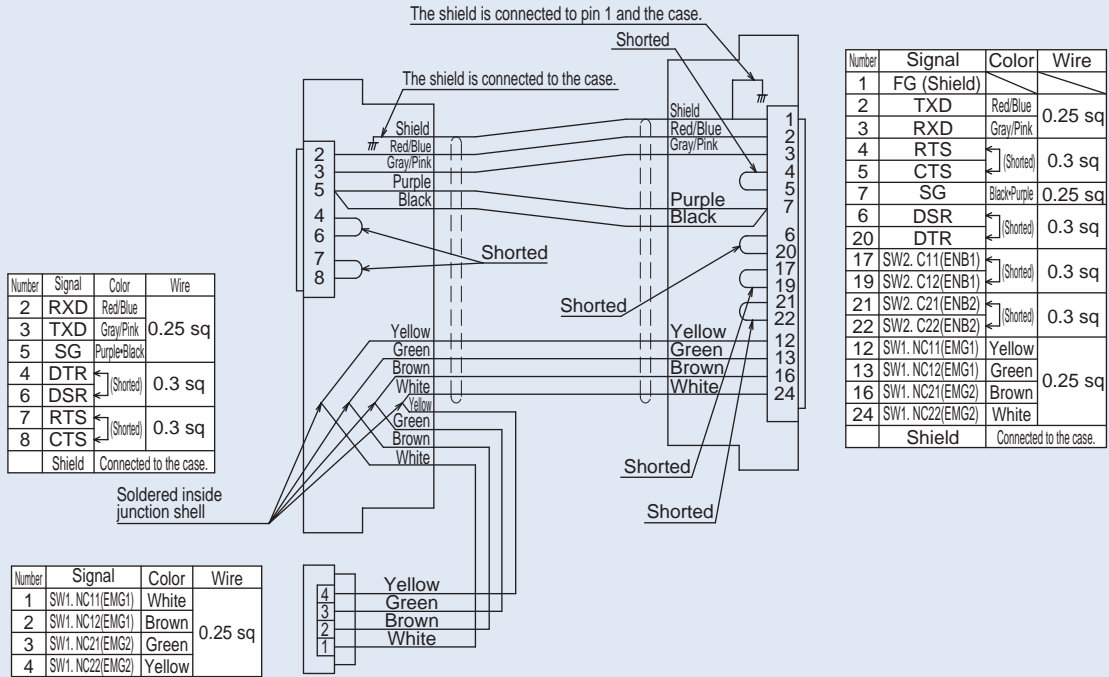
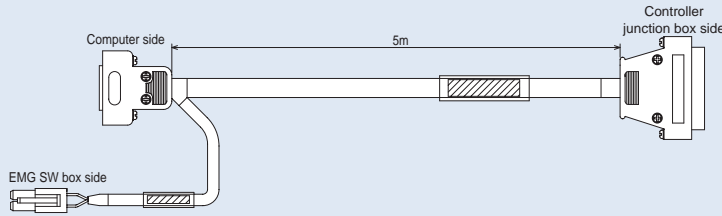
Features This startup assistance software provides functions for program/position input, test operation and monitoring. The functions needed for debugging have been enhanced significantly to help reduce startup time. In addition, the computer connection cable provides a redundant emergency stop circuit, and complies with Safety Category 4.

*Cannot be used with XSEL-PX.

Description Software (CD-ROM)
(Accessories) *Compatible with Windows 98, NT, 2000, ME and XP
 Computer connection cable (5 m) + emergency stop box (Model CB-ST-A1MW050-EB)

Dimensions Computer connection cable (Model CB-ST-A1MW050)

Note
 When ordering a computer connection cable separately for maintenance purposes, specify model CB-ST-A1MW050 for only the cable. When ordering a computer connection cable and an emergency stop box as a set, specify model CB-ST-A1MW050-EB.

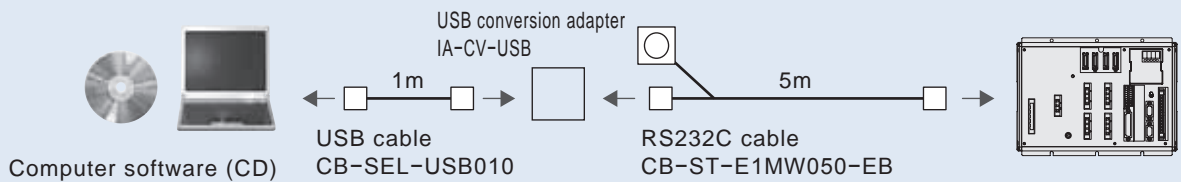


USB computer software

Model IA-101-X-USBMW

Features A USB conversion adapter is connected to the RS232C cable to enable use with a USB port of a computer.

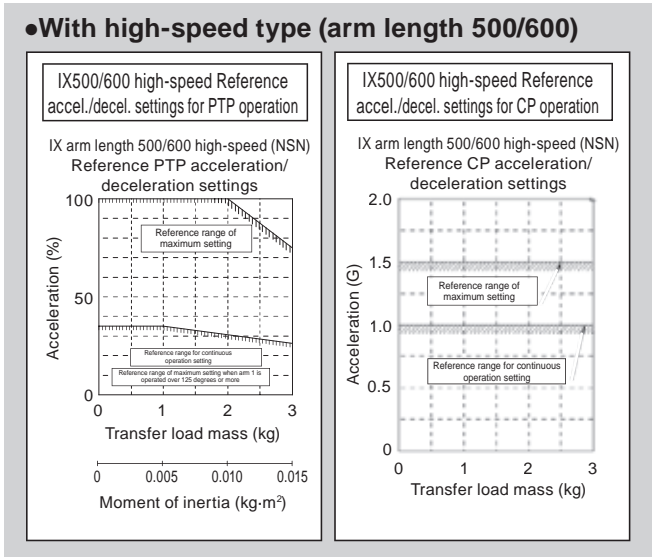
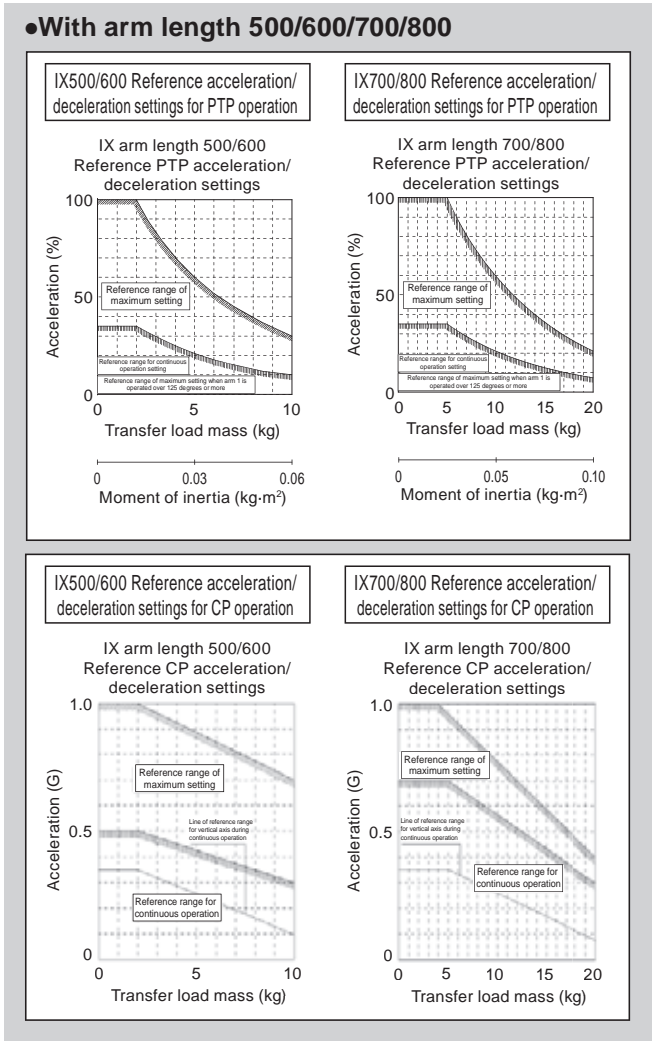
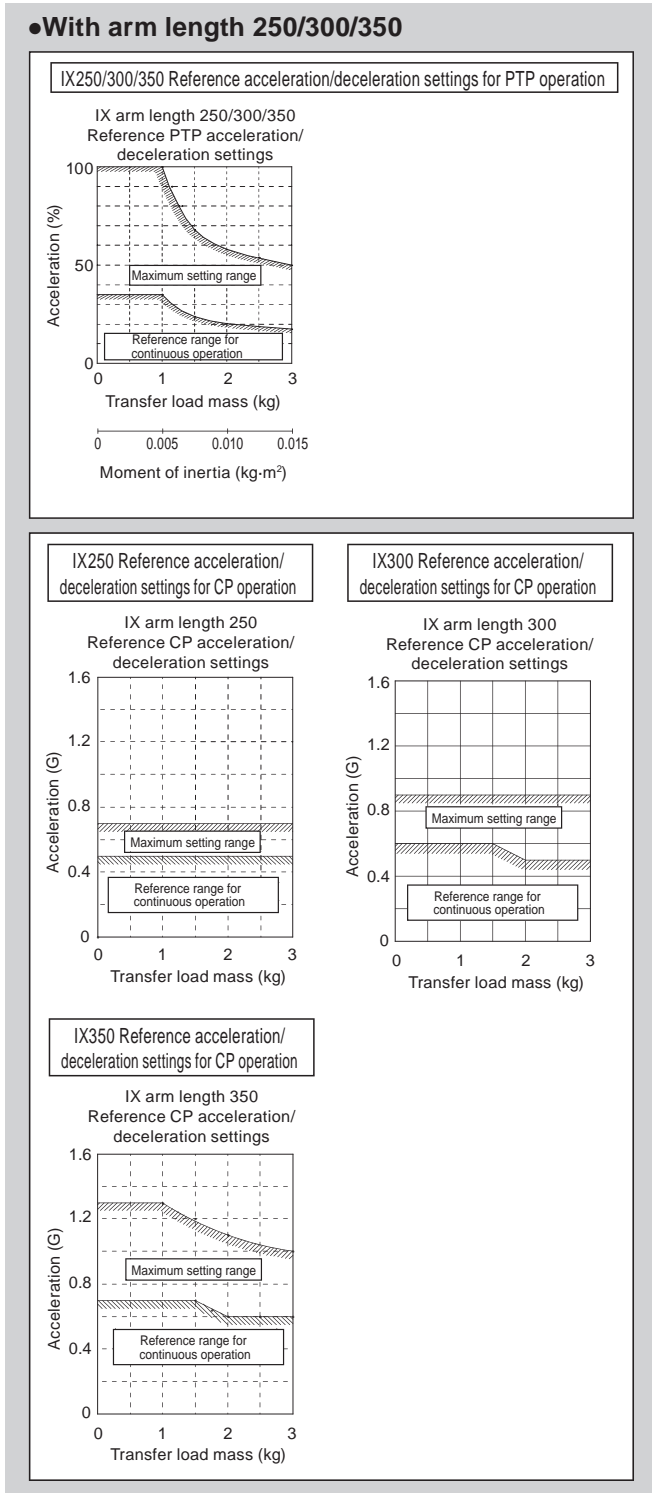
Description Software (CD-ROM)
 *Compatible with Windows 98, NT, 2000, ME and XP
 Computer connection cable (5 m) + emergency stop box + USB conversion adapter + USB cable (1 m) *Cannot be used with XSEL-QX.



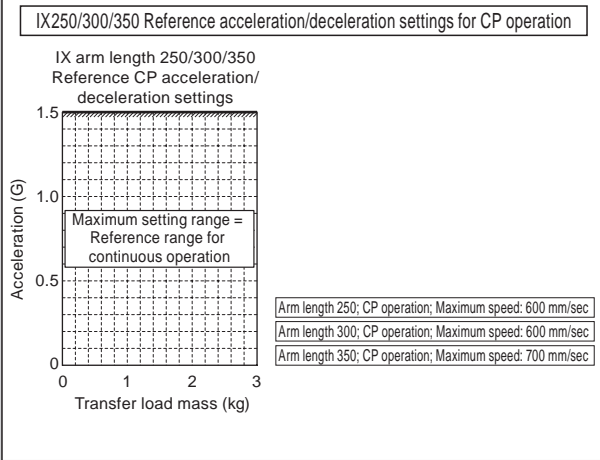
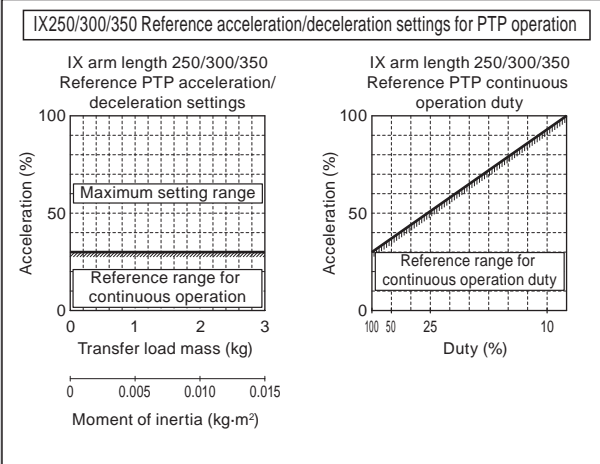
Reference Acceleration/Deceleration Settings

SCARA robots cannot operate continuously at the maximum speed and maximum acceleration mentioned in the catalog. When operating at the maximum acceleration, provide a stopping time based on the reference range for continuous operation duty in the graphs. If the robot must operate continuously, it should operate with an acceleration setting in the reference range for continuous operation in the graphs of reference acceleration/deceleration settings.

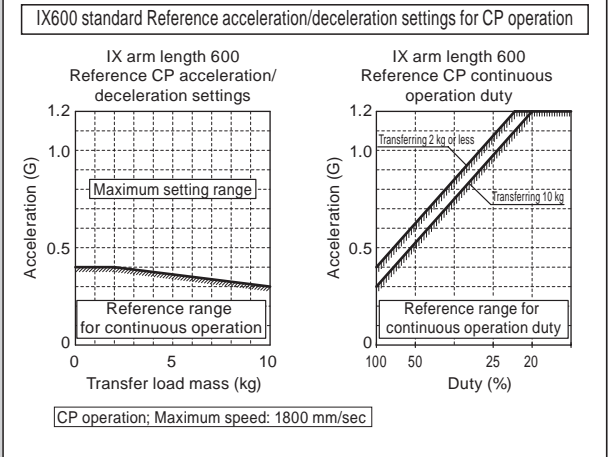
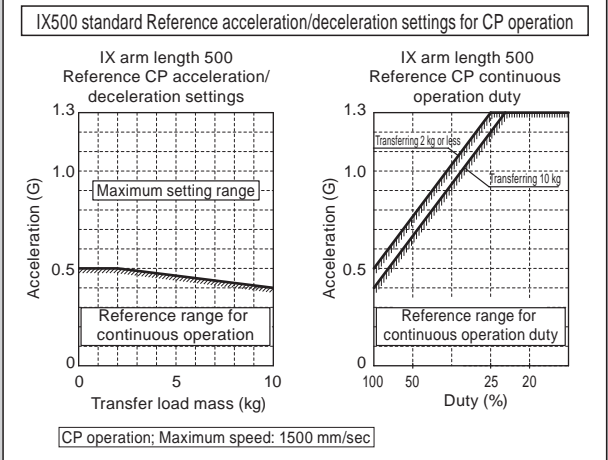
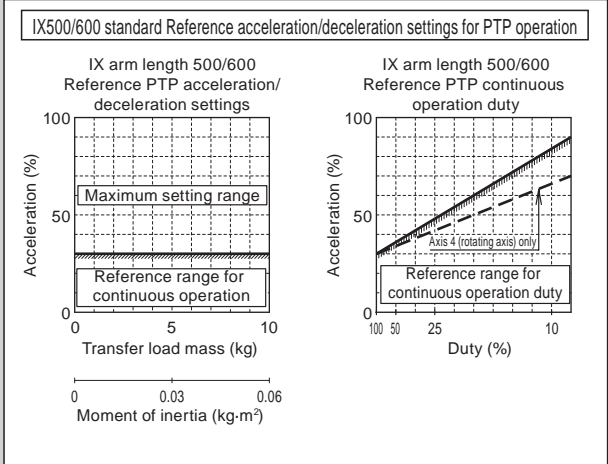
Basic-power specification type: IX 250/300/350, IX 500/600/700/800, IX high-speed 500/600



•With arm length 250/300/350

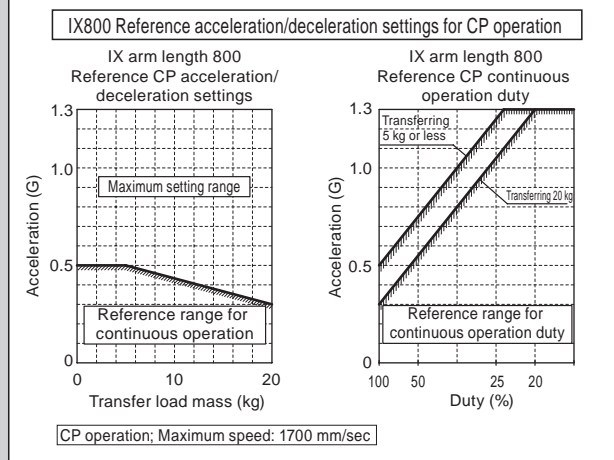
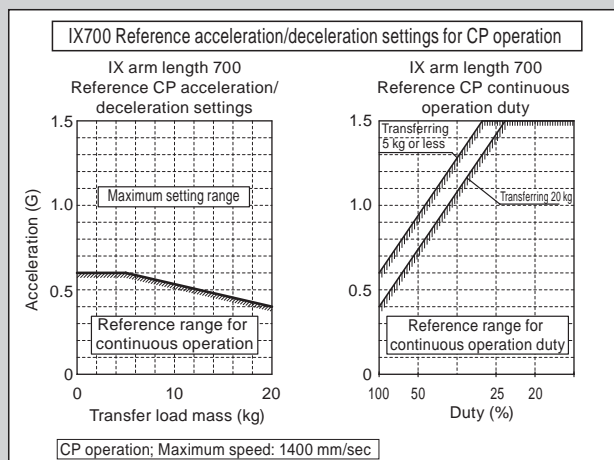
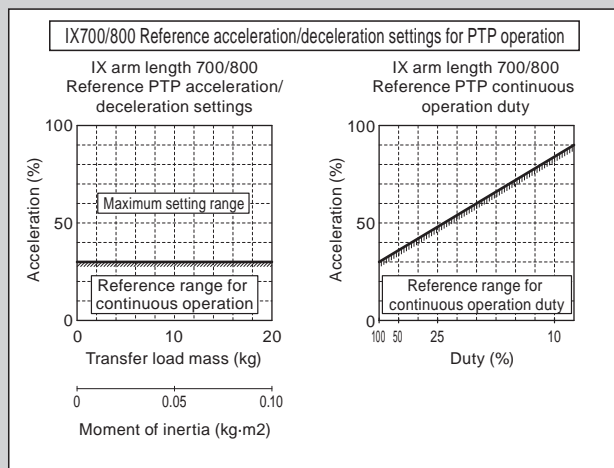


•With arm length 500/600

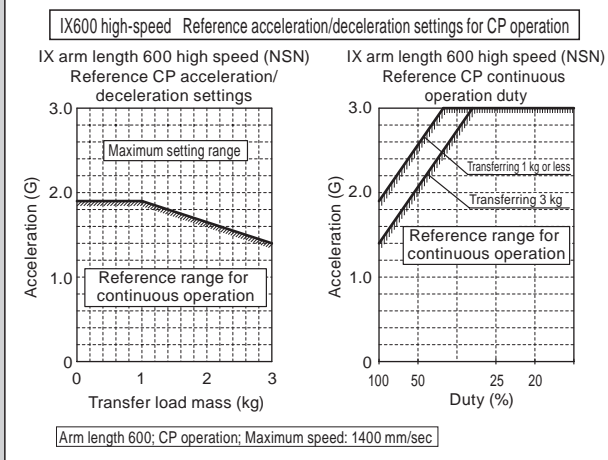
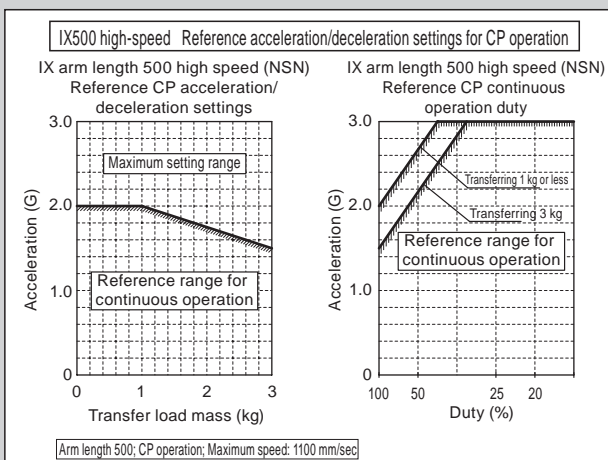
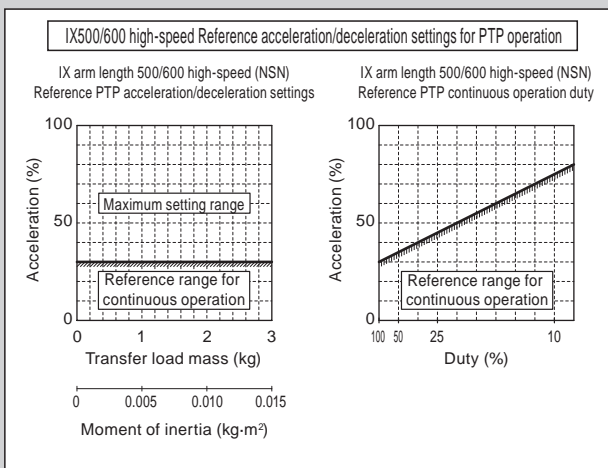


High-power specification type: IX 700/800, IX high-speed 500/600

•With arm length 700/800



•With high-speed type (arm length 500/600)



(Caution)

- 1) With PTP operation, be sure to use the WGHT command in the program, and run the operation with the load and inertial moment specified. SCARA high-power products operate at 100% of the maximum acceleration allowable for operation with each transfer mass. Operating times differ with different transfer masses, even with the same acceleration and speed settings.
- 2) To adjust the acceleration, start from the appropriate reference range for continuous operation, and then gradually raise the setting.
- 3) In an overload error occurs, lower the acceleration setting as appropriate, or provide a stopping time based on the reference for continuous operation duty.
- 4) $Duty (\%) = \frac{\text{Operating time}}{\text{Operating time} + \text{Stopped time}} \times 100$
- 5) When moving the robot horizontally at high speed, operate the vertical axis as close as possible to the top end.
- 6) The inertial moment and transfer mass should not exceed the maximum allowed.
- 7) The transfer load refers to the inertial moment and mass of the center of rotation for axis 4.
- 8) Operate the robot while maintaining an appropriate acceleration for the mass and inertial moment. Failure to do so may cause drive parts to wear prematurely or may result in damage or vibrations.
- 9) If the inertial moment of the load is large, vibrations may occur in the vertical axis, depending on the position of the axis. If vibrations occur, lower the acceleration as appropriate.

**IX SCARA Series
Catalogue No. 0510-E**

The information contained in this catalog is subject to change without notice for the purpose of product improvement



Providing quality products
since 1986



IAI Industrieroboter GmbH

Ober der Röth 4
D-65824 Schwalbach / Frankfurt
Germany

Tel.: +49-6196-8895-0

Fax: +49-6196-8895-24

E-Mail: info@IAI-GmbH.de

Internet: <http://www.eu.IAI-GmbH.de>

IAI America, Inc.

2690 W. 237th Street
Torrance, CA 90505, U.S.A.
Phone: +1-310-891-6015
Fax: +1-310-891-0815

IAI (Shanghai) Co., Ltd.

Shanghai Jiahua B. C. A8404.808
Hongqiao Rd., Shanghai 200030, China
Phone: +86-21-6448-4753
Fax: +86-21-6448-3992

IAI CORPORATION

645-1 Shimizu Hirose
Shizuoka 424-0102, Japan
Phone: +81-543-64-5105
Fax: +81-543-64-5182