



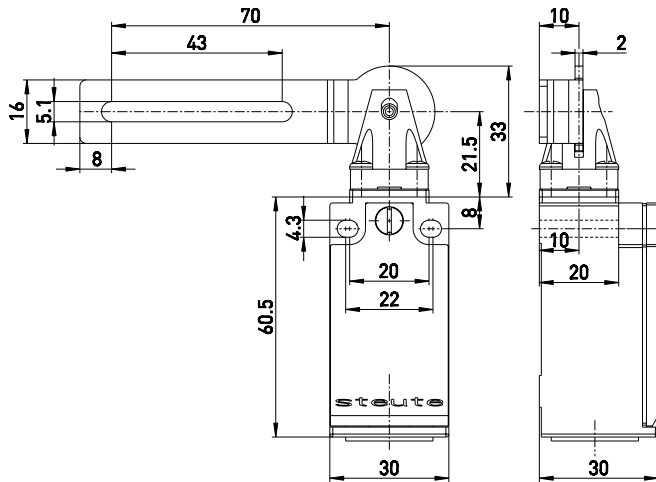
Safety switches for hinged guard doors // ES 95 T5C

Features/Options

- Thermoplastic enclosure
- Double insulated
- Slow action , change-over contact with double break
- Cable entry M20 x 1.5
- Wiring compartment

- Ex-version available
- With gold-plated contacts available on request
- Mounting details to DIN EN 50 047
- Transversely slotted mounting holes
- Actuator heads can be repositioned in 4 x 90° steps

Dimensions



Technical data

Standards	EN ISO 13849-1; IEC/EN 60947-5-1; EN 1088; BG-GS-ET-15
Enclosure	glass-fibre reinforced, shock-proof thermoplastic, self-extinguishing UL 94-V0 stainless steel 1. 4301
Actuator	
Degree of protection	IP 67 to IEC/EN 60529
Contact material	silver
Switching system	slow action, positive break NC contacts
Switching elements	change-over contact with double break Zb or 2 NC contacts, galvanically separated contact bridges
Connection	M3 screw terminals
Cable section	max. 1.5 mm ² (incl. conductor ferrules)
B _{10d} (10% Load)	2 million
T _M	max. 20 years
U _{imp}	4 kV
U _i	400 V
I _{the}	6 A
I _e /U _e	6 A/400 VAC; 0,25 A/230 VDC
Utilisation category	AC-15, DC-13
Max. fuse rating	6 A gL/gG D-fuse
Ambient temperature	-20 °C ... +80 °C
Mechanical life	> 1 million operations
Approvals	

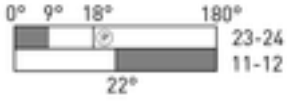
Errors and omissions excepted.



Safety switches for hinged guard doors // ES 95 T5C

Ordering details

Slow action
1 NC/1 NO contact



Type
ES 95 T5C 1Ö/1S

Order no.
95065001

Slow action
2 NC contacts



Type
ES 95 T5C 2Ö

Order no.
95565001

Slow action
1 NC/1 NO contact with overlapping



Type
ES 95 T5C 1S/1Ö UE

Order no.
on request