



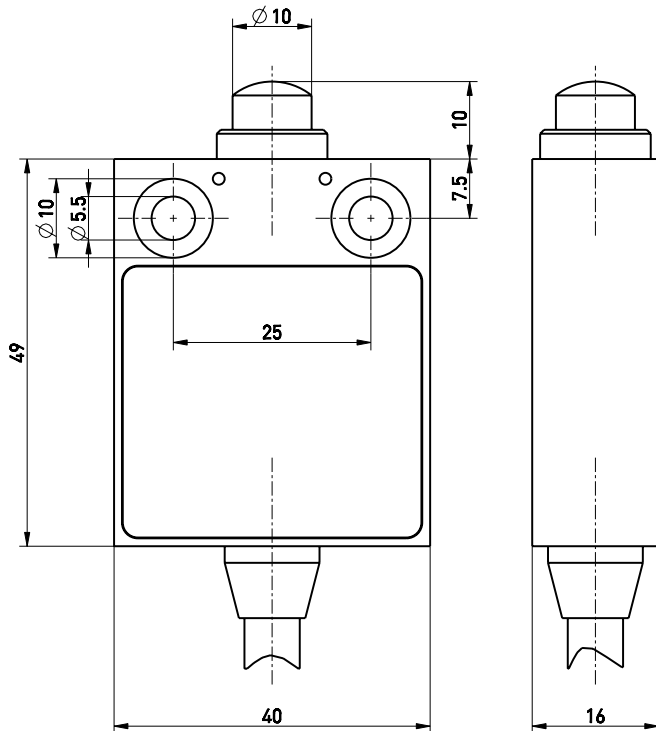
## Position switch // ES 13

### Features/Options

- Thermoplastic enclosure
- Double insulated □
- Slow action ⊖, change-over contact or 2 NC/1 NO contact with double break
- Slow action with overlapping contacts available
- Max. 3 contacts
- Version with 3 contacts has cable on left-hand side

- Suitable for in-line mounting
- With pre-wired cable
- With gold-plated contacts available on request
- Pneumatic version available
- Ex-version available

### Dimensions



### Technical data

<b>Standards</b>	IEC/EN 60947-5-1
<b>Enclosure</b>	glass-fibre reinforced, shock-proof thermoplastic, self-extinguishing UL 94-V0
<b>Degree of protection</b>	IP 67 to IEC/EN 60529
<b>Contact material</b>	Silver
<b>Switching system</b>	slow action, positive break
<b>Switching elements</b>	NC contact ⊖ change-over contact or 2 NC/1 NO contact with double break with galvanically separated contact bridges
<b>Connection</b>	cable: 2 contacts: H05VV-F, 3 contacts: 6 x AWG20
<b>Cable section</b>	2 contacts: 4 x 0.75 mm <sup>2</sup> ; 3 contacts: 6 x 0.56 mm <sup>2</sup>
<b>U<sub>imp</sub></b>	4 kV
<b>U<sub>i</sub></b>	250 V
<b>I<sub>the</sub></b>	6 A
<b>I<sub>e</sub>/U<sub>e</sub></b>	6 A/250 VAC; 0.25 A/230 VDC
<b>Utilisation category</b>	AC-15, DC-13
<b>Max. fuse rating</b>	6 A gL/gG D-fuse
<b>Ambient temperature</b>	-20 °C ... +75 °C
<b>Mechanical life</b>	> 1 million operations
<b>Switching frequency</b>	1800/h
<b>Repeat accuracy of switching points</b>	±0.1 mm
<b>Impact resistance/ Contact opening</b>	2 contacts: max. 2 x 4 mm; 3 contacts: max. 2 x 3.5 mm
<b>Approvals</b>	ES 13 10/1S:



ES 13 20/1S:



Errors and omissions excepted.



## Position switch // ES 13

### Ordering details

Plunger

Type

Order no.  
13001901  
13001922  
130019103  
on request

\* with safety function



Plunger with collar W

Type

Order no.  
13002003  
13002901  
on request  
on request

\* with safety function



Plunger for front mounting F

Type

Order no.  
13047003  
13047901  
on request  
on request

\* with safety function



Ball plunger KU

Type

Order no.  
13003003  
13003904  
on request  
on request

\* with safety function





## Position switch // ES 13

### Ordering details

Ball plunger with collar WKU

Type

Order no.  
13004004  
13004003  
13904901  
on request

\* with safety function



Ball plunger for front mounting FKU

Type

Order no.  
13049905  
13049003  
on request  
on request

\* with safety function



Roller plunger R

Type

Order no.  
13009901  
13009907  
on request  
13009964

\* with safety function



Roller plunger with collar WR

Type

Order no.  
13010910  
13010912  
13910910  
13910915

\* with safety function





## Position switch // ES 13

### Ordering details

Roller plunger for front mounting FR

Type

Order no.

13051901

\* with safety function

13051006

on request

on request



Roller lever with collar WH

Type

Order no.

13014909

\* with safety function

13014922

on request

on request



Long roller lever with collar WHL

Type

Order no.

13016916

\* with safety function

13016909

on request

on request





## Position switch // ES 13

### Ordering details

Rocking roller lever with collar WHK



Type

ES 13 WHK 1Ö/1S - 2m  
ES 13 WHK 1Ö/1S - 5m  
ES 13 WHK-S 2Ö/1S - 2m  
ES 13 WHK-S 2Ö/1S - 5m

Order no.

13018005  
13018901  
on request  
on request

Parallel roller lever with collar WPH

\* with safety function



Type

Order no.  
13020006  
13020007  
on request  
on request

Roller lever D

\* with safety function



Type

Order no.  
13021906  
13021905  
on request  
on request



## Position switch // ES 13

### Ordering details

Long roller lever DL

Type

Order no.  
13023003  
13023002  
on request  
on request

\* with safety function



Adjustable-length roller lever DS

Type

Order no.  
13029003  
13029002  
on request  
on request

ES 13 DS 10/1S - 2m  
ES 13 DS 10/1S - 5m  
ES 13 DS-S 20/1S - 2m  
ES 13 DS-S 20/1S - 5m



Wire lever DD

Type

Order no.  
13025002  
13025003  
on request  
on request

ES 13 DD 10/1S - 2m  
ES 13 DD 10/1S - 5m  
ES 13 DD-S 20/1S - 2m  
ES 13 DD-S 20/1S - 5m





## Position switch // ES 13

### Ordering details

#### Long spring rod TL



#### Type

ES 13 TL 1Ö/1S - 2m  
ES 13 TL 1Ö/1S - 5m  
ES 13 TL-S 2Ö/1S - 2m  
ES 13 TL-S 2Ö/1S - 5m

#### Order no.

13032004  
13032005  
on request  
on request

#### Spring rod with rounded steel tip TF



#### Type

ES 13 TF 1Ö/1S - 2m  
ES 13 TF 1Ö/1S - 5m  
ES 13 TF-S 2Ö/1S - 2m  
ES 13 TF-S 2Ö/1S - 5m

#### Order no.

13034004  
13034002  
on request  
on request

#### Spring rod with plastic tip TK



#### Type

ES 13 TK 1Ö/1S - 2m  
ES 13 TK 1Ö/1S - 5m  
ES 13 TK-S 2Ö/1S - 2m  
ES 13 TK-S 2Ö/1S - 5m

#### Order no.

13036907  
13036903  
on request  
on request



## Position switch // ES 13

### Options

#### Cable on side



#### Cable entry M16 x 1.5



#### Connector M12 x 1, 4-pole

