

IMS 100 NT

Technical data

FEATURES

- ▶ Prevents accidents
- ▶ Prevents damage to elevator doors
- ▶ Offers double safeguarding when combined with light curtain
- ▶ No need to configure the monitored area
- ▶ Automatic door recognition using TOF technology
- ▶ Extremely reliable object detection using TOF technology
- ▶ Ideal for both new facilities and modernization
- ▶ Entrance area monitoring reduces door-opening time



OPTICAL

Detection height	0.6 ... 2.5 m
Detection area at 2 m	200 mm × 900 mm
Min. object detection at 2.5 m	50 mm

MECHANICAL

Dimensions (l × h × w)	132 × 36 × 34 mm
Housing material	Aluminum, PC
Enclosure rating	IP65
Temperature range	-20°C ... +60°C

ELECTRICAL

Supply voltage U _{sp}	24 VDC ±20%
Typ. current consumption at 24 VDC	200 mA
Output	PNP
Max. output load	120 mA, 100 nF
Output logic	LOW = Object HIGH = No object
Response time	350 ms
Max. recalibration time	1.5 s
Indication LED (red):	LED on Object detected LED off No object detected

CONNECTION CABLE AND ELECTRICAL CONNECTION

Length - sensor cable	0.5 m
Length - connection cable	2.8 m
Diameter	Ø 3.5 mm
Material	PVC, black
Connection	M8, 4-pin
Wires	AWG26
• brown	U _{sp}
• blue	GND (0 V)
• black	Output
• white	Time-out selector (18 s or infinity)

GENERAL

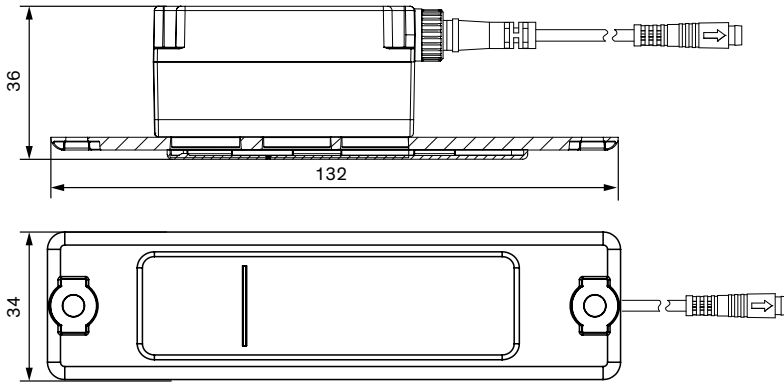
Eye safety	EN 62471:2008
EMC emission	EN 12015:2014
EMC immunity	EN 12016:2013
Vibration	IEC 60068-2-6:2007
Shock	IEC 60068-2-27:2008
Cable durability	IEC 60227-2:2003
RoHS	2011/65/EU
Certificates	CE, CSA



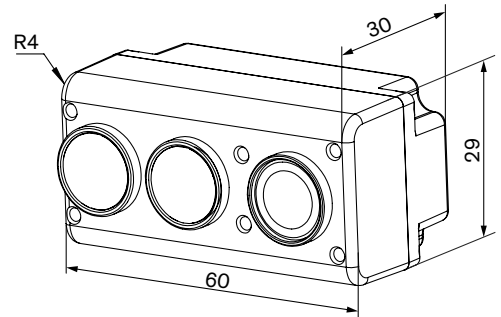
CEDES AG is certified according to ISO 9001: 2015.

Dimensions

All dimensions in mm
Proportions not to scale



Preassembled IMS 100 NT sensor

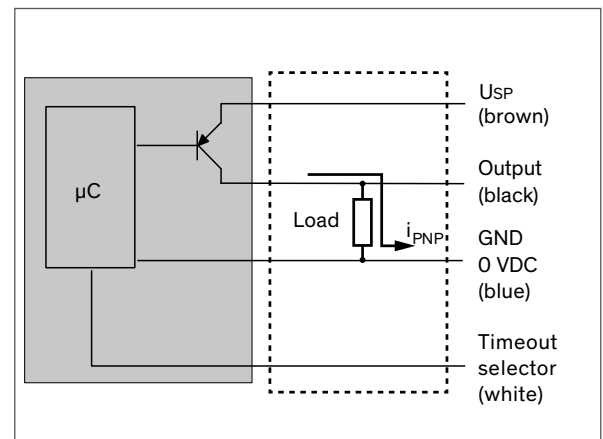


IMS 100 NT sensor body

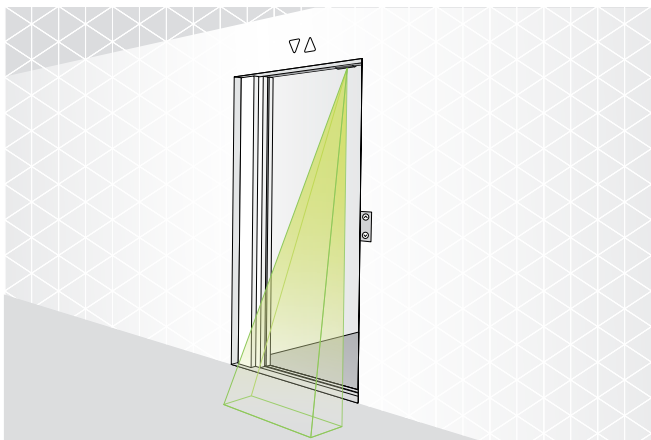
Output logic

Output	USP			
	0 V			
Status	No object	Object detected	Door mode	
Output	24 VDC HIGH	0 VDC LOW	24 VDC HIGH	
Red LED	OFF	ON	Blinking	

Electrical connection



Applications



IMS 100 NT - corner-mounted for side-opening doors



IMS 100 NT - center-mounted for center-opening doors