



## Emergency pull-wire switch ZS 80 2Ö/2S WVD

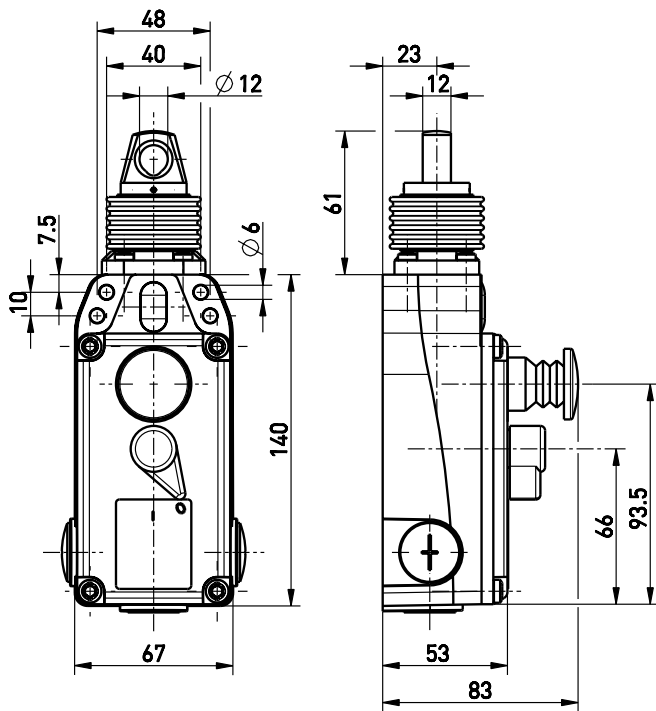
Material number: 1177916 (Material number old: 72942501)

### Features/Options

- Metal enclosure
- 4 contacts
- Position indicator and integrated emergency-stop push-button
- Wire length up to 100 m

- Pretensioning force 100 N
- Lever for release and position indication
- Watertight collar
- Wire pull and breakage detection

### Dimensions



### Technical data

|                       |   |
|-----------------------|---|
| Standards             | EN 60947-5-1, -5;<br>EN ISO 13850; EN ISO 13849-1                 |
| Enclosure             | aluminium die-cast,<br>powder-coated                              |
| Cover                 | glass-fibre reinforced,<br>shock-proof thermoplastic,<br>ultramid |
| Degree of protection  | IP 67 to IEC/EN 60529   |
| Contact material      | silver  |
| Switching elements    | 2 NC/2 NO contacts with double<br>break                           |
| Switching system      | slow action, positive break NC<br>contacts ⊖                      |
| Connection            | 2 x 4 pole terminal block   |
| Cable entry           | 3 x M20 x 1.5   |
| Cable cross-section   | max. 2.5 mm <sup>2</sup> (incl. conductor<br>ferrules)            |
| $B_{10d}$ (10 % Load) | 200 000   |
| $T_M$                 | max. 20 years   |
| $U_{imp}$             | 2.5 kV  |
| $U_i$                 | 250 V   |
| $I_{the}$             | 2 A   |
| Utilisation category  | AC-15; DC-13  |
| $I_e/U_e$             | 2 A/250 VAC; 0.25 A/230 VDC;<br>2 A/24 VDC                        |
| Max. fuse rating      | 2 A gG/gN fuse  |
| Ambient temperature   | -25 °C ... +70 °C   |
| Mechanical life       | > 100 000 operations  |
| Max. wire length      | 100 m   |
| Features              | wire pull and breakage detection                                  |
| Approvals             |   |
| Weight                | 712 g   |

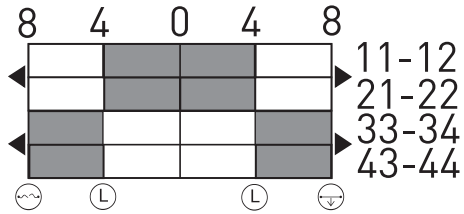
Errors and omissions excepted.



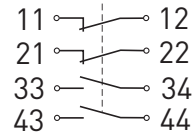
## Emergency pull-wire switch ZS 80 2Ö/2S WVD

Material number: 1177916 (Material number old: 72942501)

Switching diagram



Contact diagram



**Note:**

At 5 m distance intermediate wire supports are required. One wire thimble is provided.