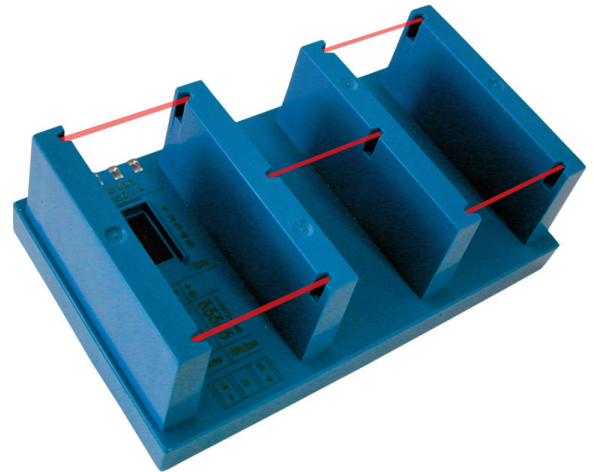


... robust and multi-channel hoistway information sensor



## Features

- High repetitive accuracy of 0.5 mm
- LED visually displays the status of every output
- Extremely precise positioning
- Output logic can be individually selected using the DIP switches
- Short response time
- Five independent channels
- Additional safety output to fault indicator
- Large light reserve of 2,500 %
- Requires less space
- Smoke, dust and vapor proof

## Technical data

### Optical

Light reserve	min. 2,500%
Ambient light	max. 5,000 Lux
Repetitive accuracy	0.5 mm
Wave length IR	950 nm
Number of beams / elements	5

### Cables

Type	AWG26
Diameter	Approx. 6 mm
Length	5 m
Color	Black

### Electrical

Supply voltage $U_{sp}$	10 ... 30 VDC
Ripple voltage $U_{sp}$	$\pm 10\% U_{sp}$
Current consumption	Max. 100 mA (without load)
Outputs (CH1 - CH5, 'Status')	NPN or PNP
Logic	Adjustable with DIP switches
Output current (each channel)	100 mA (each output)
Output current (in total)	600 mA (all simultaneously)
Response and release time	1 ms

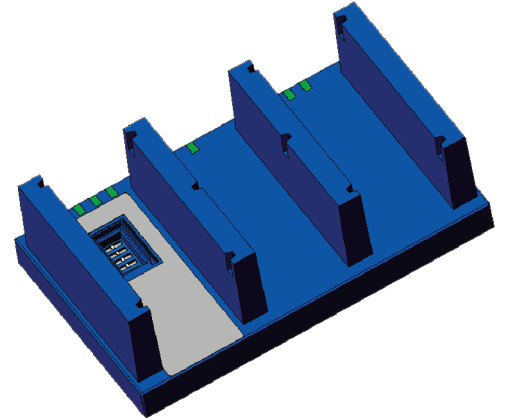
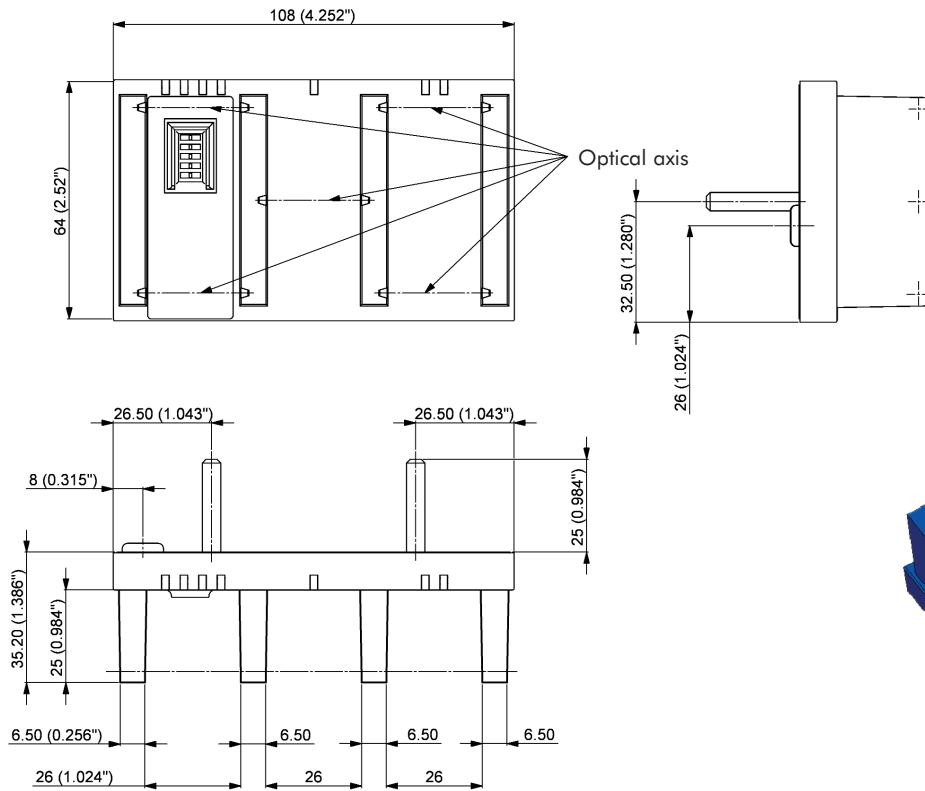
### General

Shock	IEC 60068-2-6
Vibration	IEC 60068-2-29
EMC / EMI	EN 12015 / EN 12016
Fire protection class	UL94 V-0
Certificates	CSA (B44.1.96) UL (ASMEA17.5-1996 ed.)

### Mechanical

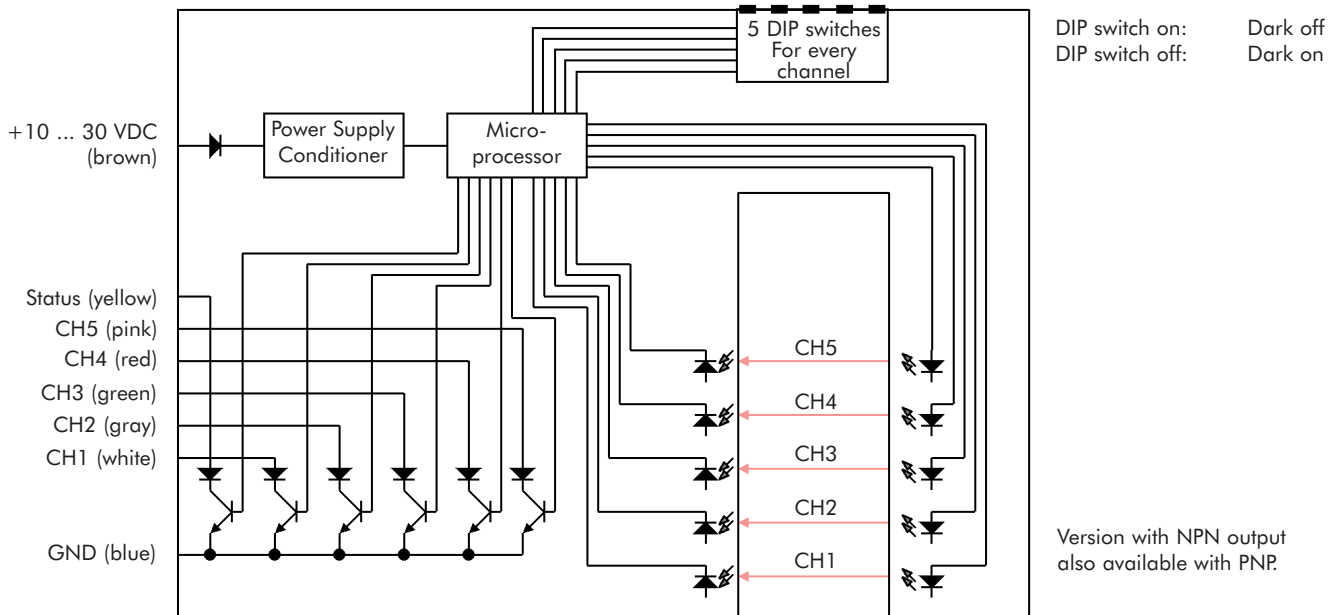
Dimensions	108 x 64 mm
Fork width	26 mm (3x)
Enclosure rating	IP54 (similar to NEMA type 3)
Temperature range	-20 ... +65°C

## Dimensions



(All dimensions in mm and inches)

## Block circuit diagram



## Ordering information

Part no.	Type	Description
104 900	<b>GLS 526 NPN</b>	Complete system, NPN, including 5 m cable
106 075	<b>GLS 526 PNP</b>	Complete system, PNP, including 5 m cable

Other configurations on request

**CEDES AG** / Switzerland • Tel. +41 81 307 2323 • Fax +41 81 307 2325 • info@cedes.com • www.cedes.com

CEDES AG is certified according to ISO 9001: 2008. CEDES AG reserves the right to modify or change technical data without prior notice.