

GLS 126 NT and GLS 151 NT

... exact positioning in a robust design



Features

- Extremely large light reserve of 5,000%
- High repetitive accuracy of 0.5 mm
- LED indicator shows operational status
- Short response time
- Universal semi-conductor output (NPN or PNP)
- High supporting capacity (GLS 126 NT-HCL)
- Precise positioning
- Requires less space
- Wide power range from 12 to 60 VDC (GLS 126 NT-MV)
- Smoke, dust and vapor proof

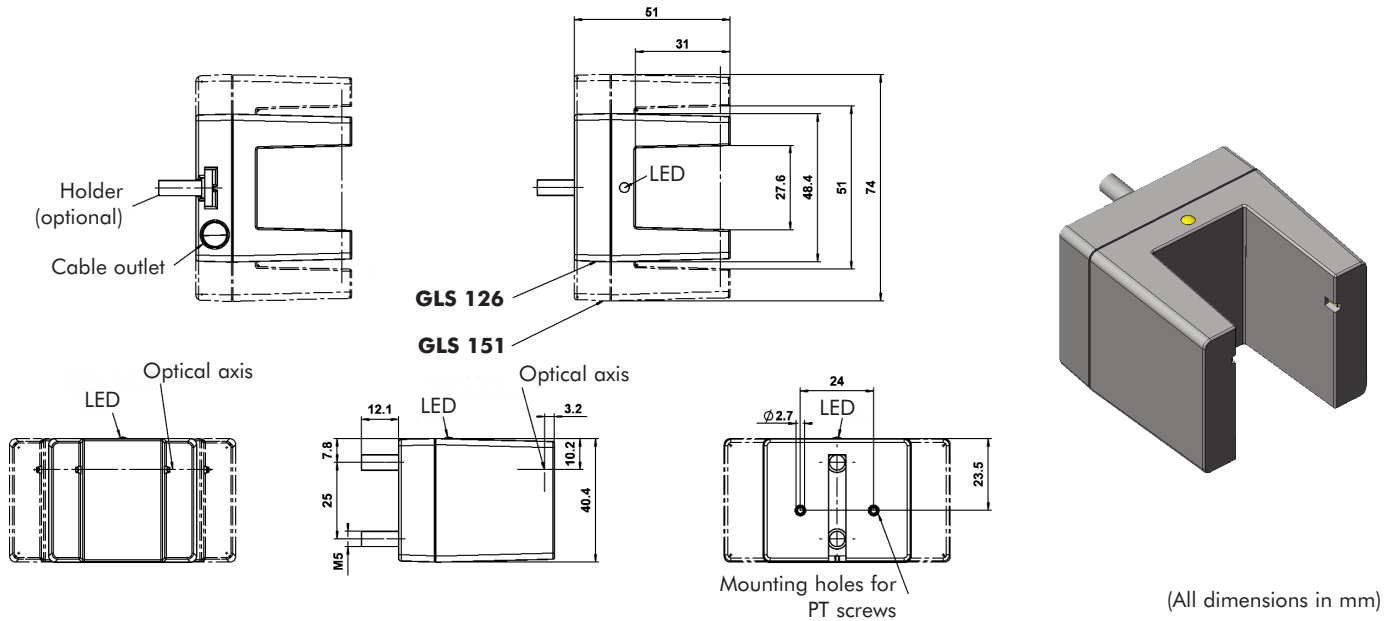
Technical data

GLS	126 NT ¹⁾	126 NT-HCL ²⁾	126 NT-MV ³⁾	151 NT
Fork gap	26 mm	26 mm	26 mm	51 mm
Supply voltage	10 ... 30 VDC	10 ... 30 VDC	12 ... 60 VDC	10 ... 30 VDC
Ripple voltage (U _{SP})	Max. ± 25 x U _{SP}	Max. ± 25 x U _{SP}	Max. ± 25 x U _{SP}	Max. ± 25 x U _{SP}
Current consumption	Max. 40 mA (without load)	Max. 30 mA (without load)	Max. 30 mA (without load)	Max. 40 mA (without load)
Input capacitive load	450 nF	450 nF	47 nF	450 nF
Outputs	NPN / PNP short-circuit-proof	NPN short-circuit-proof	PNP short-circuit-proof	NPN / PNP short-circuit-proof
Output saturation voltage				
- NPN (I _L = 100 mA)	< 0.5 V	< 0.5 V		< 0.5 V
- PNP (I _L = 100 mA)	< 2.0 V		< 0.5 V	< 2.0 V
Capacitive load	Max. 100 nF	Max. 1,000 µF	Max. 10 µF	Max. 100 nF
Response time	Max. 1 ms	Max. 1 ms	Max. 1 ms	Max. 1 ms
Output current	Max. 120 mA	Max. 200 mA	Max. 200 mA	Max. 120 mA
Repetitive accuracy	Max. 0.5 mm	Max. 0.5 mm	Max. 0.5 mm	Max. 0.5 mm
Hysteresis	Max. 1.0 mm	Max. 1.0 mm	Max. 1.0 mm	Max. 1.0 mm
Min. light reserve	5,000%	5,000%	2,500%	2,500%
Ambient light	Max. 100,000 Lux	Max. 100,000 Lux	Max. 100,000 Lux	Max. 100,000 Lux
Temperature range	-20 ... +60°C	-20 ... +60°C	-20 ... +60°C	-20 ... +60°C
Wire type	3 x 0.25 mm ²	3 x 0.25 mm ²	3 x 0.25 mm ²	3 x 0.25 mm ²
Cable length	see ordering information	see ordering information	see ordering information	see ordering information
Enclosure rating	IP65	IP65	IP65	IP65
EMC	EN 12015, EN 12016	EN 12015, EN 12016	EN 12015, EN 12016	EN 12015, EN 12016
Safety category	B, EN 954-1	B, EN 954-1	B, EN 954-1	B, EN 954-1

1) = New Technology 2) = High Capacitive Load 3) = Medium Voltage

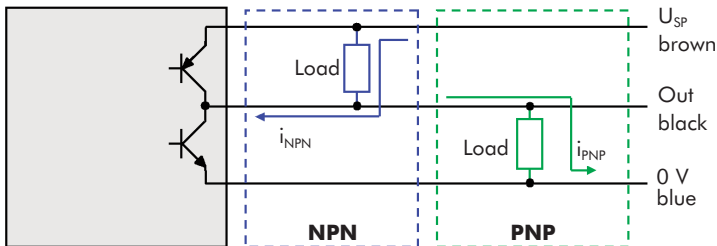
DATASHEET

Dimensions

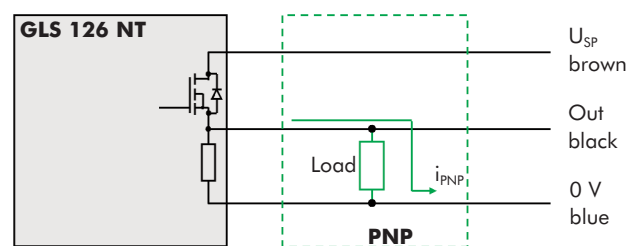


Block circuit diagram

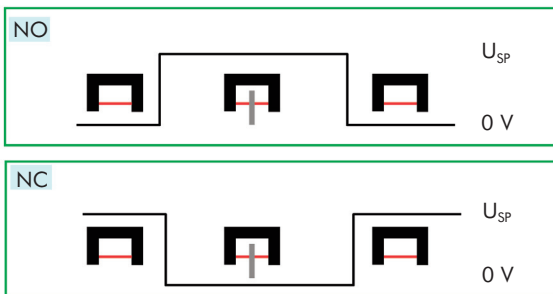
GLS with Push-Pull output (NPN or PNP)



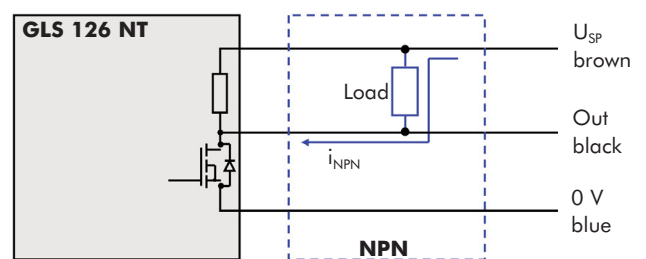
GLS with SmartFET output (PNP)



Output circuit with NO or NC logic



GLS with SmartFET output (NPN)



Ordering information

Part no.	Type	Description
104 002	GLS 126 NT, NO	GLS 126 NT, Push-Pull output, NO logic, 3.5 m connecting cable
104 003	GLS 126 NT, NC	GLS 126 NT, Push-Pull output, NC logic, 3.5 m connecting cable
104 073	GLS 126 NT, NO	GLS 126 NT, Push-Pull output, NO logic, 5 m connecting cable
104 075	GLS 126 NT, NC	GLS 126 NT, Push-Pull output, NC logic, 5 m connecting cable
104 889	GLS 126 NT, NC, HCL	GLS 126 NT-HCL, SmartFET output NPN, NC logic, 3.5 m connecting cable
104 506	GLS 126 NT, NC, HCL	GLS 126 NT-HCL, SmartFET output NPN, NC logic, 5 m connecting cable
104 829	GLS 126 NT, NC, MV	GLS 126 NT-MV, SmartFET output PNP, NC logic, input voltage 12 ... 60 VDC, 0.2 m connecting cable
106 296	GLS 126 NT, NO, MV	GLS 126 NT-MV, SmartFET output PNP, NO logic, input voltage 12 ... 60 VDC, 3.5 m connecting cable
101 315	GLS 126/S, NC, IP67	GLS 126, Push-Pull output, NC logic, 5 m connecting cable
101 518	GLS 126/S, NO, IP67	GLS 126, Push-Pull output, NO logic, 5 m connecting cable
104 281	GLS 151 NT, NC	GLS 151, Push-Pull output, NC logic, 5 m connecting cable
101 188	Accessory	Fixing unit for GLS types

Other configurations on request

CEDES AG / Switzerland • Tel. +41 81 307 2323 • Fax +41 81 307 2325 • info@cedes.com • www.cedes.com

CEDES AG is certified according to ISO 9001: 2008. CEDES AG reserves the right to modify or change technical data without prior notice.