

... for a safe journey in elevator cabins without car doors.



cegard/Lift LX/LY

Safety system for elevator cars without car doors



Description

The protective light curtain **cegard/Lift LX / LY** is designed to be installed in elevators where the lift car has no doors. It is approved by TÜV in Germany according to the TRA 200, which specifies a type 2 ESPS (electro-sensitive protective system with built in self test).

cegard/Lift is an alternative to the extensive work of fitting doors on an existing elevator installation which normally heavily reduces both volume and performance.

As **cegard/Lift** in operation uses up to 70 (optional 46) beams, the optical resolution and consequently safety is thereby heavily increased.

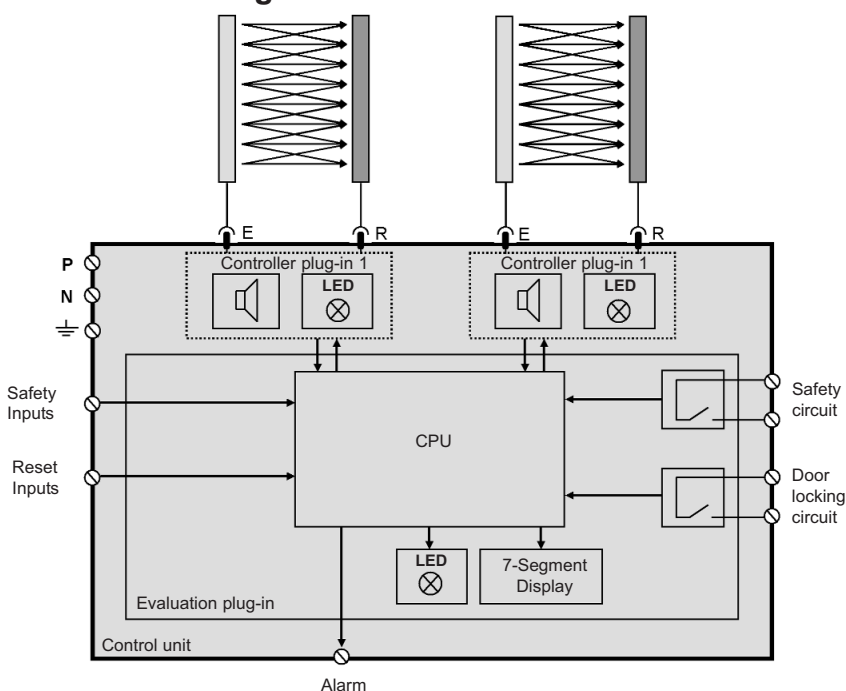
The optional mounting kits can be supplied as either a surface mounted model or as a back wall model. The latter has the advantage that the existing net door width can be maintained. The system is designed to survey one or two lift accesses.

cegard/Lift can be easily connected to almost all existing elevator controllers without the need for additional elevator cables to be installed.

Functions

- According to EN 62061: 2005, EN 61496-1, EN 61496-2: 2006 BWS type 2
- Perfectly suited for modernizations in elevators without car doors
- Simple integration with current elevator controllers
- Safety technical monitoring of light curtain and signals (from / to elevator controller)
- Monitoring of one or two elevator door-ways
- No adjustments or optical alignment necessary
- Simple mounting
- Self-calibrating

Block circuit diagram

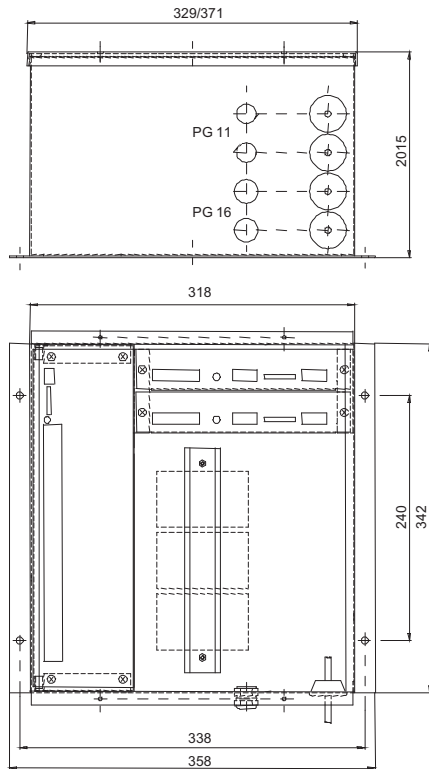


Technical Data

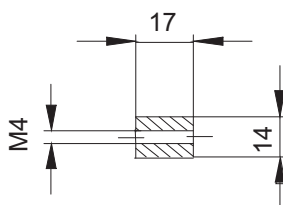
| | |
|-------------------------|---|
| Power supply | 195 ... 265 VAC |
| Current consumption | < 200 mA |
| Outputs | |
| - Alarm | 24V / 100 mA |
| - Safety circuit | two channel Relay 230 VAC / 4 A |
| - Door locking circuit | LX: Door lock contactor 380 VAC / 16 A LY: Rectifier 230 VDC / 3 A |
| Response time output | < 150 ms, typ. 100 ms |
| Inputs | |
| - Safety inputs | 12 ... 380 VAC / DC |
| - Reset inputs | 12 ... 265 VAC / DC |
| Optical edges | |
| Cable length | 6 m |
| Operating range | 0.7 ... 4.0 m |
| No. of light beams | 70 beams |
| Detection zone | 1'908 mm |
| Enclosure rating | |
| - Control unit | IP 54 |
| - Optical edges | IP 65 |
| Temperature range | -20° ... +65°C |

Technical drawing cegard/Lift LX, LY

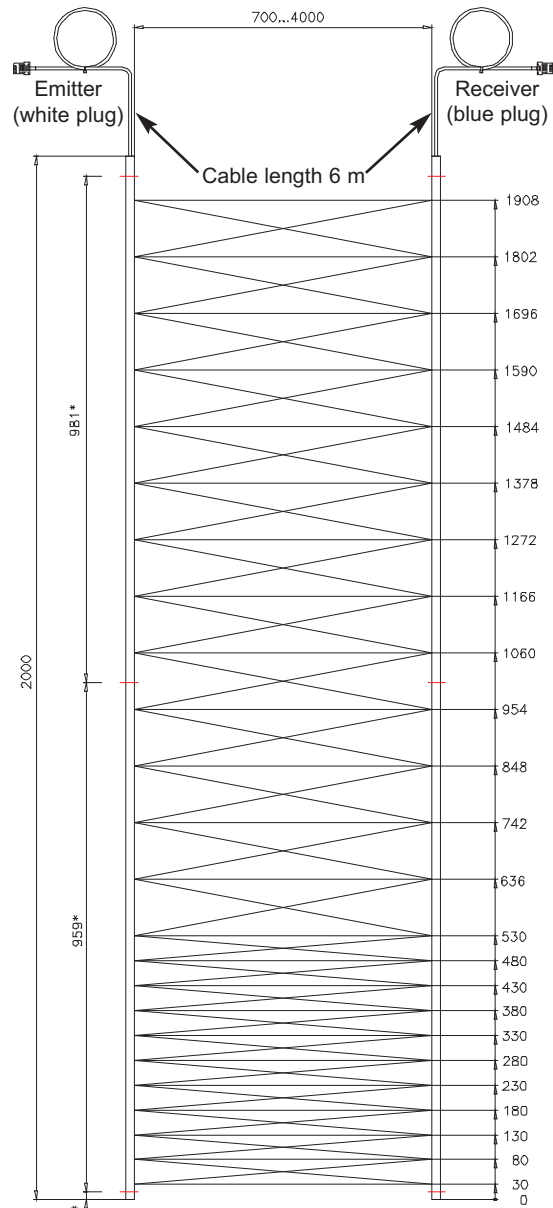
Robust control unit



*Cross section of optical edge



Optional: Through hole



- Optional:
- 46 beams
 - Operating range 4 ... 8 m
 - Protection height 2'012 mm

(All dimensions in mm)

Order Information

| Part No. | Type | Description |
|---|-----------------------|---|
| 102 804 | cegard/Lift LX | Control unit incl. safety interface for one lift car entry with power switch 3 x 380 VAC / 16 A |
| 102 805 | cegard/Lift LX | Control unit incl. safety interface for two lift car entry with power switch 3 x 380 VAC / 16 A |
| upon request | cegard/Lift LY | Control unit incl. safety interface for one lift car entry for DC bolt magnets 230 VDC / 3 A |
| upon request | cegard/Lift LY | Control unit incl. safety interface for two lift car entry for DC bolt magnets 230 VDC / 3 A |
| 102 809 | cegard/Lift | Pair of optical edges, range 0.7 ... 4.0 m |
| upon request | cegard/Lift | Pair of optical edges, range 4.0 ... 8.0 m |
| upon request | Accessory | Mounting kit for back wall mounting, including drill pattern, drill, (stainless steel, painted yellow-black) |
| upon request | Accessory | Mounting kit for surface mounting inside the car, including drill pattern, drill, (stainless steel, painted yellow-black) |
| 100 849 | Accessory | Alarm buzzer for indicating emergency stop, surface mounted |
| Special design i.e. range 0.4 ... 1.5 m, other geometry of the optical edges, higher temperature range on demand! | | |
| 100713 | Part No. 001 128 E | CEDES reserves the right to modify or change technical data without notice. |