

... for a safe journey  
in elevator cars without  
car doors.



## cegard/Lift LI

Testable safety light curtain for  
elevator cars without car doors



## Description

The protective light curtain **cegard/Lift LI** is designed to be installed in elevators where the elevator car has no doors. It is approved by TÜV in Germany according to the TRA 200, which specifies a type 2 ESPS (electro-sensitive protective system with integrated self-testing).

**cegard/Lift** is an alternative to the extensive work of fitting doors on an existing elevator installation which normally heavily reduces both volume and performance.

As **cegard/Lift** in operation uses up to 70 (optional 46) beams, the optical resolution and consequently safety is thereby heavily increased.

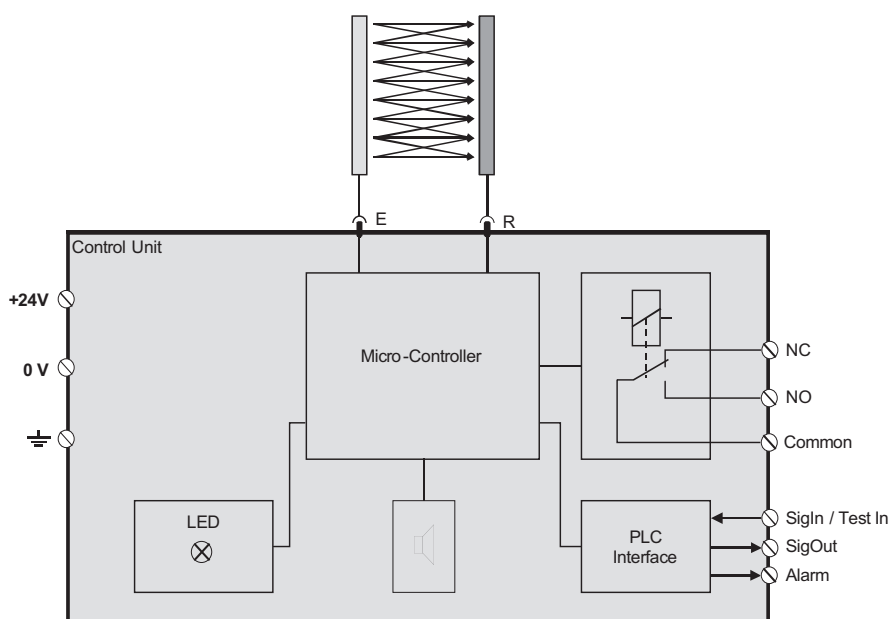
The optional mounting kits can be supplied as either a surface mounted model or as a back wall model. The latter has the advantage that the existing net door width can be maintained. The system is designed to survey one or two lift accesses.

**cegard/Lift** can be easily connected to almost all existing elevator controllers without the need for additional elevator cables to be installed.

## Features

- According to EN 62061: 2005, EN 61496-1, EN 61496-2: 2006 BWS type 2
- Absolutely ideal for use in elevator cabins without car doors
- Simple installation and integration with existing elevator controllers
- Test input enables the testing of the system (EN 954-1)
- No adjustments or optical alignment necessary
- Simple mounting
- Robust and compact design
- Self-calibrating

## Block circuit diagram



## Technical Data

Supply voltage 24 VDC  $\pm$  20 %  
Current consumption < 150 mA

### Outputs by interrupted light beam

- Relay change-over contact **24V / 1 A**
- 2 semiconductor outputs PNP 100 mA, short circuit proof
- Acoustic signal buzzer 4 kHz
- Response time output < 80 ms typ. 50 ms

### Input

- Test 0 ... 3 VDC "Low"  
10 ... 30 VDC "High"

### Optical edges

- Cable length 6 m
- Operating range 0.7 ... 4.0 m
- Active protection field 1'908 mm
- No. of light beams 70 beams

### Enclosure rating

- Control unit IP20
- Optical edges IP65
- Temperature range
- Operation +10° ... +65°C
- Operation below +10°C **cegard/Lift LI, IP67**

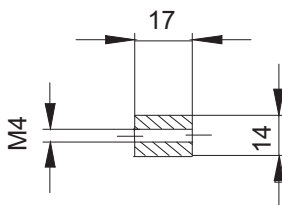
## Technical drawing cegard/Lift LI

### Robust control unit

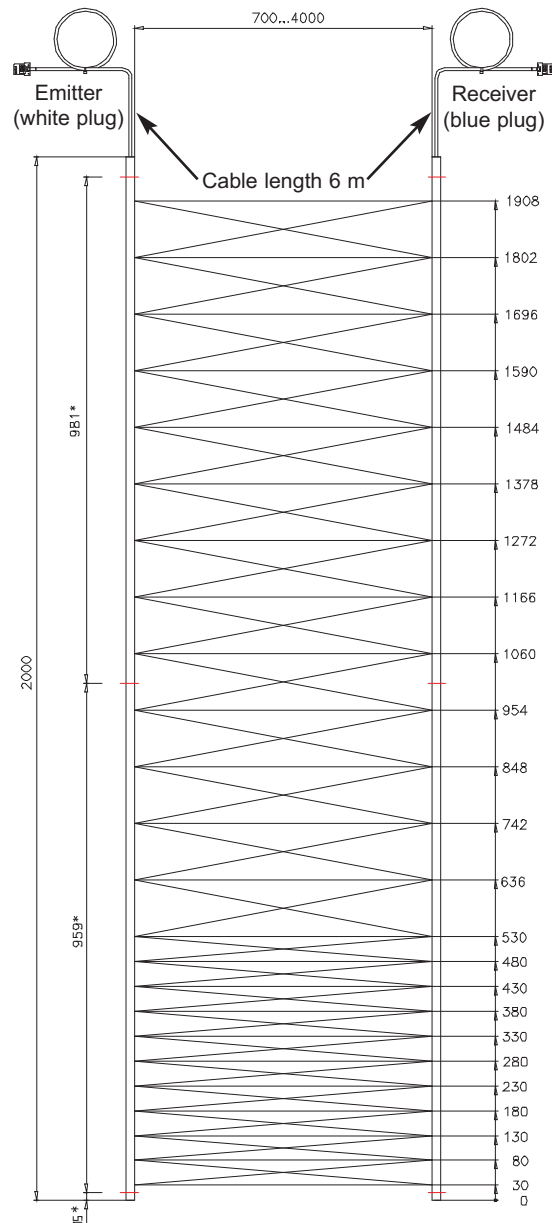
Space required L x W x D = 200 x 120 x 45 mm



### \*Cross section of the opto edge



Optional: Through hole



- Optional:
- 46 beams
  - Operating range 4 ... 8 m
  - Protection height 2'012 mm

(All dimensions in mm)

## Order information

Part No.	Type	Description
102 005	cegard/Lift LI	Control unit cegard/Lift LI, 24 elements
102 809	cegard/Lift LI	Pair of optical edges, range 0.7 ... 4.0 m
upon request	Accessory	Mounting kit for flush mounting, including drill pattern, drill, (stainless steel, painted yellow-black)
upon request	Accessory	Mounting kit for surface mounting inside cabin, including drill pattern, drill, (stainless steel, painted yellow-black)
100 849	Accessory	Alarm unit to indicate emergency stop, surface mounted

Special design i.e. range 0.4 ... 1.5 m, other geometry of the optical edges, higher temperature range on demand!

110721 Part No. 001 129 E

CEDES AG reserves the right to modify or change technical data without notice.