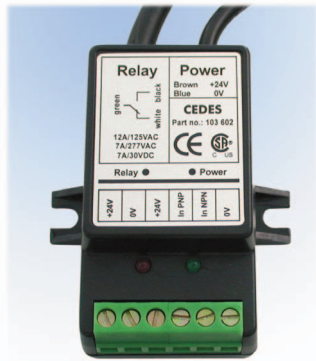


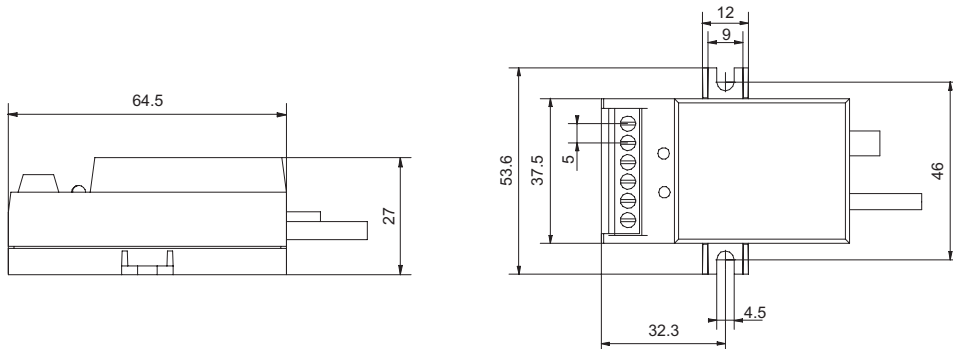
Instruction Manual Relay Module



Technical Data

Supply voltage	20.4 - 27.6 VDC
Ripple	10 % von U_{SP}
Current consumption	max. 20 mA (relay on)
Output	125 VAC / 9 A 277 VAC / 7 A 30 VDC / 7 A
Connection cable	
- Supply voltage	2-wire, 0.25 mm ² , 0.5 m (AWG 23)
- Relay output	3-wire, 1.00 mm ² , 0.5 m (AWG 16)
Connection possibilities	- ELS: 263, 264, 268 and 269 - GLS: 126, 126 NT, 526 and 151 NT - MiniMax - Other sensors with semi conductor output (PNP or NPN)

Drawings



We
CEDES AG, CH-7302 Landquart / Switzerland
 declare conformity in sole responsibility, for the interface modul **Relay**
 according to the following Council Directive



EU EMC 89 / 336 / EWG
 Modified 92 / 31 / EWG

Standards and Specifications
 EN 12015, 12016

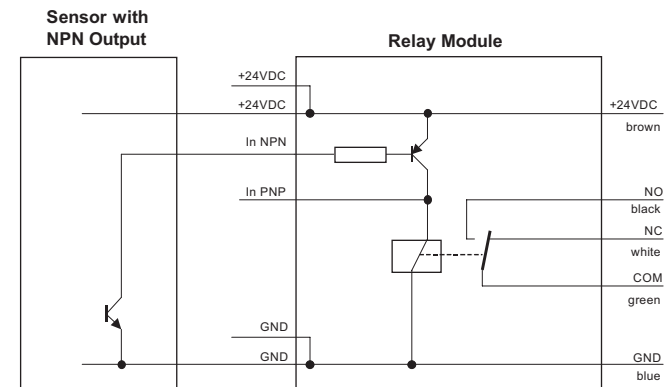
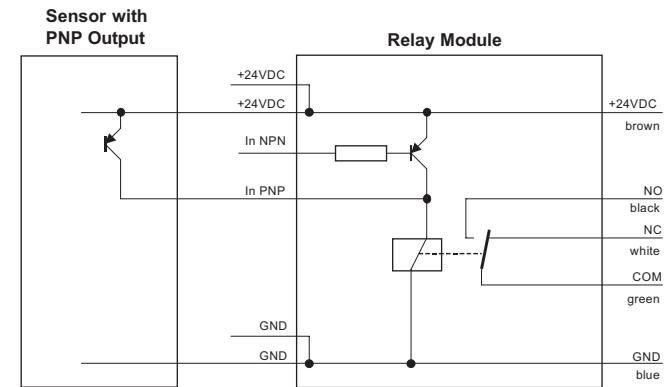
Electromagnetic compatibility - product family standard for elevators, escalators and passenger conveyors - emission / immunity

Use:
 The bringing into service is only permitted after thorough checks are carried out to ensure that the equipment into which these products are built, meets the requirements of the regulations and directives relevant to that equipment.

Landquart, 1st July 2004
 Beat De Coi, Managing Director

Instruction Manual Relay Module

Circuit diagram Relay (PNP / NPN)



Terminal assignment

