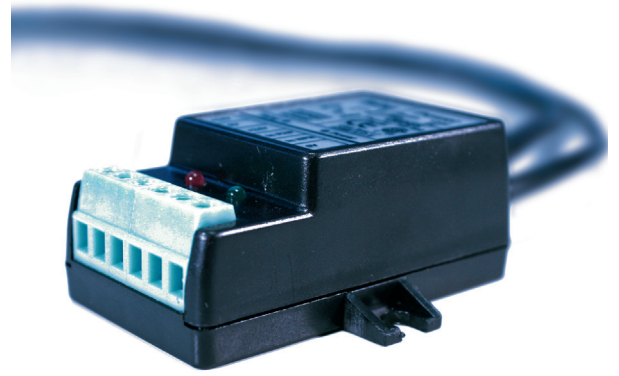


Relay module

... cost-effective interface module



Features

- Potential separation between extra-low voltage and power supply
- Built-in in-line filter for improved EMC stability of the connected sensors
- Extremely cost-effective
- Versatile applications
- Separate terminal for emitter and receiver enables neater wiring
- Robust construction
- Sensors with NPN or PNP outputs can be connected
- Easy to install

Technical data

Electrical

Supply voltage U_{sp}	20.4 ... 27.6 VDC
Ripple	10% of U_{sp}
Current consumption	Max. 20 mA (relay on)
Output	125 VAC / 9 A
	277 VAC / 7 A
	30 VDC / 7 A
LED indicator	Green (power on), orange (relay on)
Polarity protection	@ 24 V input

Cables

Length	Per 1 m
Cable norm	IEC 60227-1
Voltage supply	AWG23, 2-veined 0.25 mm ²
Relay output	AWG16, 3-veined 1.00 mm ²

Mechanical

Dimensions (in mm)	108 x 64
Enclosure rating	IP54 (similar to NEMA type 3)
Temperature range	-20 ... +65°C

Electrical connections

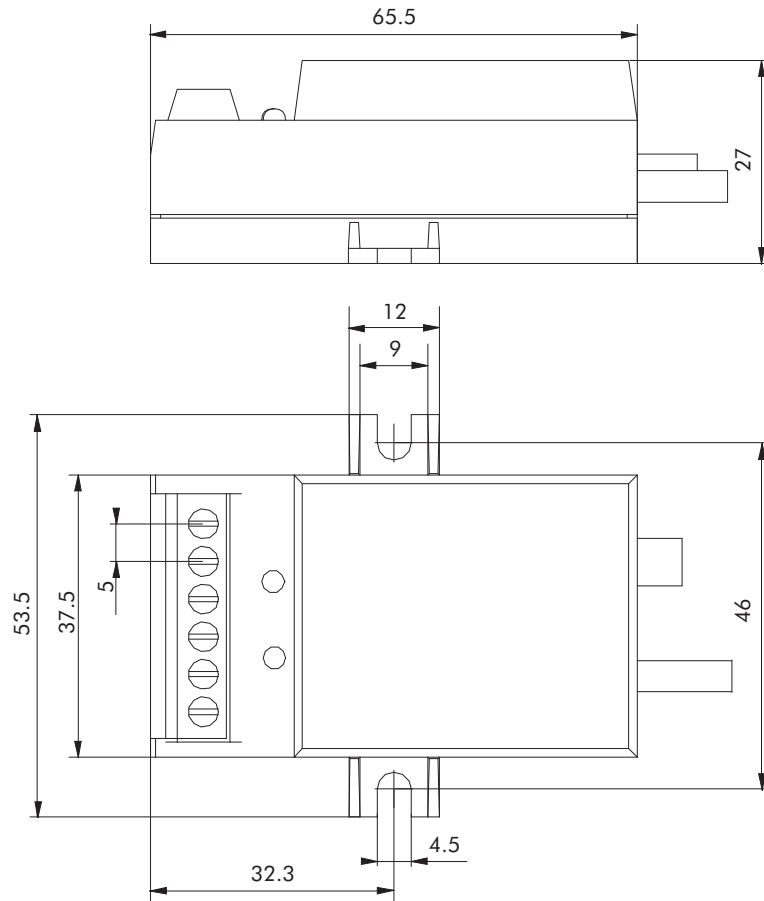
Input		Output (relay)	
+24 V	brown	NO	black
0 V (GND)	blue	NC	white
		COM	green
Sensor input		Sensor input	
Emitter	+24 V, 0 V	Receiver	+24 V, 0 V
			PNP, NPN

General

Fire protection class	UL94 V-0
Shock, vibration	IEC 60068-2-6 / 60068-2-29
Certificates	CE, CSA (CSA-B44.1-96), UL (ASME-A17.5-1996)
	Low voltage and EMC guidelines

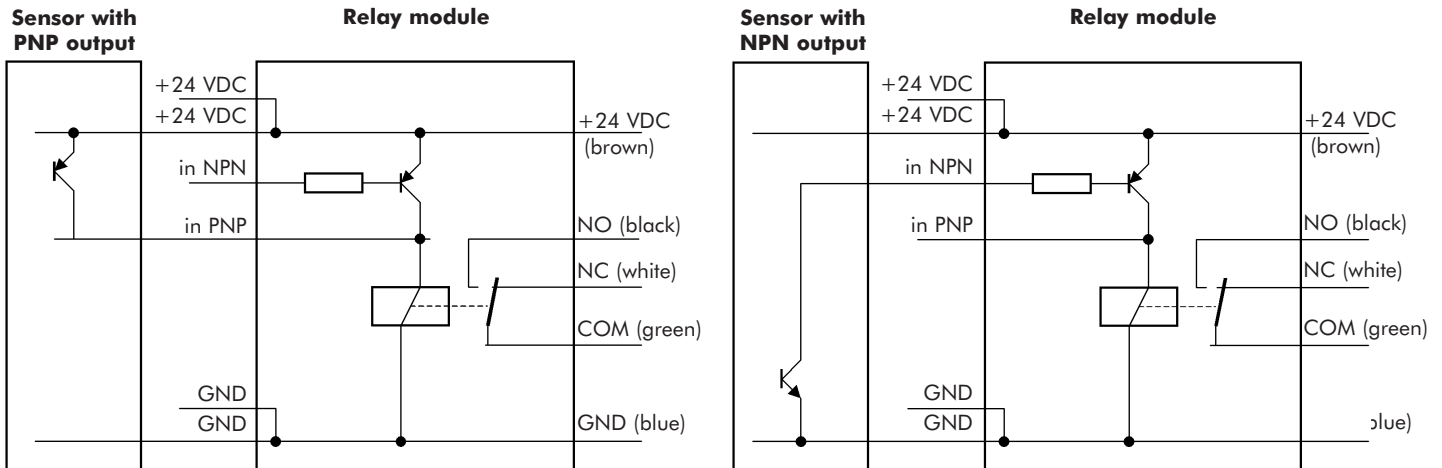
DATASHEET

Dimensions



(All dimensions in mm)

Block circuit diagram



Ordering information

Part no.	Type	Description
103 602	Relay module	Complete, individually packed, with 1 m connection cable

Other configurations on request

CEDES AG / Switzerland • Tel. +41 81 307 2323 • Fax +41 81 307 2325 • info@cedes.com • www.cedes.com

CEDES AG is certified according to ISO 9001: 2008. CEDES AG reserves the right to modify or change technical data without prior notice.