



Wireless position switch

RF 10 H EN868

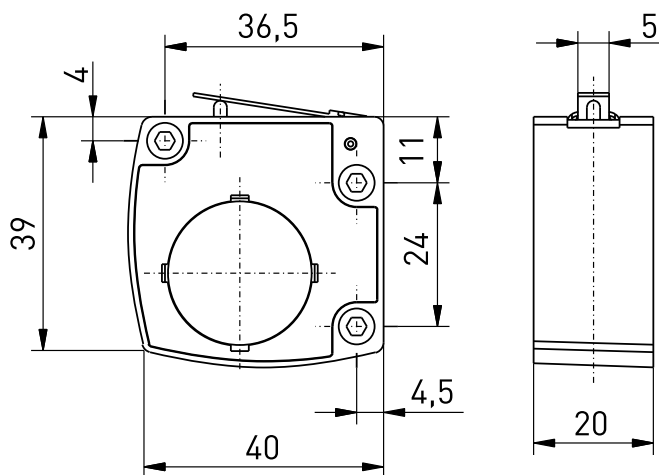
Material number: 1185728 (Material number (old): 10120101)

Features/Options

- Thermoplastic enclosure
- EnOcean wireless technology
- No wiring and pipe laying required
- Power supply by Lithium battery

- Easy programming of receiver
- Multi-network capable
- Output signal can be individually configured at the receiver

Dimensions



Technical data

Standards

EN 60947-5-1; EN 61000-6-2;
EN 301 489-1; EN 301 489-3;
EN 300 220-2; EN 300 220-3

Enclosure

Thermoplastic, Polyamid PA 66
IP 67 to IEC/EN 60529

Degree of protection

Wireless protocol

EnOcean®

Ambient temperature

-20 °C ... +65 °C

Switching frequency

approx. 9000 telegrams at
repetitions/h

Voltage supply

Lithium-battery CR 2032
(replaceable)

Frequency

868.3 MHz

Transmission power

max. 10 mW

Data rate

120 kbps

Channel bandwidth

280 kHz

Sensing range

max. 150 m outside,
max. 30 m inside

Mechanical life

> 1 million operations

Battery life

> 800 000 operations

Actuating time

min. 80 ms

Note

no status signal available

Approvals



Errors and omissions excepted.