



Medical multi-function foot switch MFS-MED GP71 Material no.: on request

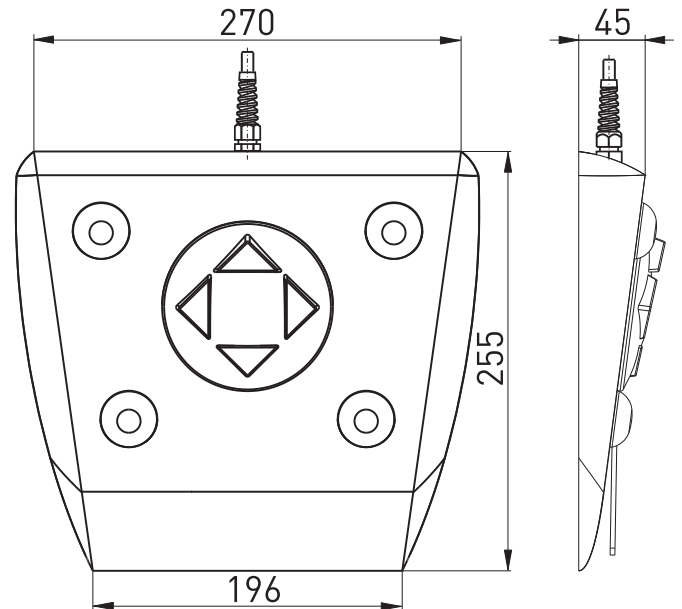
Product features

- Variable aluminium housing for additional functions
- Joypad with joystick function
- Rocker switch for rapid switching between two functions
- Additional push buttons for extra functionality (optional)
- Carrying handle (optional)
- Ergonomic design

Notes

- Photo shows optional accessories

Dimensions



Technical data

Applied standards

IEC 60601-1, ANSI/AAMI ES60601-1, IEC 60529

Enclosure

GD-Al alloy, RAL 7035

Joypad

robust, operating theatre approved silicone, RAL 5005

Rocker switch

GD-Zn alloy, RAL 7035

Actuator

robust, operating theatre approved silicone, RAL 5005

Degree of protection

IPX8 (IEC/EN 60529)

Switching elements

joypad / actuator: micro switch,
Rocker switch: reed contact / micro switch / Hall sensor

Switching system

joypad / actuator: 1 – 2 NO contacts,
Rocker switch: 1 – 2 NO contacts / 1 change-over / analogue
output 0 ... 10 VDC, 0 ... 20 mA, 4 ... 20 mA

Mechanical life

> 1 million operations

Connection

2 m cable, other lengths optionally available

Switching voltage

max. 25 VAC / 60 VDC

Switch-on current

max. 1 A

Switching capacity

Reed contacts: max. 20 VA, micro switch: max. 30 VA