

PNEUMATIC SWITCH



Radioswitch

RADIOSWITCH made by VITECTOR is a pneumatic switch that sends a radio signal to the receiving unit upon activation. The small radio transmitter unit and the pneumatic switch are packaged within the DW

3S-200 case while the receiver is built into a NEMA4 case. For easy connection to a control unit, it is equipped with a NCC (normally closed contact) or NOC (normally open contact) relay outputs.

Article name	Article number	Remark
DW TR-200	10012830-2	Emitter unit with airwave switch
RSW-R 1514, 433MHz NOC/NCC	10021308	Receiver unit, NOC/NCC relay output
DW RS-200 NOC/NCC	10021371	Set consisting of emitter and receiver

Technical Specifications Transmitter DW TR-200

Frequency band	433 MHz, modulated frequency
Coding	Fixed codes, 65,000 different codes available
Protection class	NEMA 4
Temperature range	-20 °C to +60 °C [-4 °F to +140 °F]
Transmitting range	Up to 100 m [330 ft]
Battery	CR2 Lithium Ion, 3 V, 850 mAh, replaceable
Battery lifetime	Up to 300,000 activations, max. 4 years
Status LED	Green
FCC/IC	IC: 11709A-10021371 FCC: 2ABRL10021371

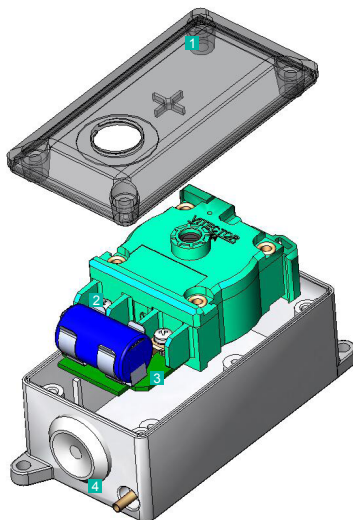
PNEUMATIC SWITCH

Technical specifications receiver RSW-R 1514, 433MHz NOC/NCC

Receiving channels	2	
Response time	Minimum 35 ms (without radio interference)	
Protection class	NEMA4	
Case material	ABS transparent grey, PA6 GF30, TPE	
Dimensions	75 x 40 x 13 mm [2.95 x 1.57 x 0.51 in] without wiring	
Connection	4-core connection wire LIYY 4x0,14 ² Length: 0.9 m [3.28 ft] Cable head 50mm [1.97 in] dismantled, twisted and tinned Isolation stripped 5 mm [0.2 in] Brown: +24 V(AC/DC) White: 0 V (Ground) Green/yellow: NOC relay output Green/black: NCC relay output	
Current Drawn	Max. 30 mA	
Signal Output	NCC (normally closed)	NOC (normally open)
Status OK	Closed	Open
Status LED	Green	

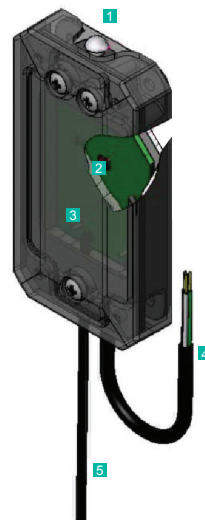
Drawings

Radio transmitter DW TR-200



- 1 Transparent Cover
- 2 Replacable Battery
- 3 Green Status LED
- 4 Pneumatic Connection

Receiver unit RSW-R 1514, 433MHz NOC/NCC



- 1 Programming button
- 2 Green Status LED
- 3 Grey-Transparent Plastic Cover
- 4 Wiring: Brown: +24 V, White 0 V,
Green/Yellow: Relay Output
- 5 Antenna

PNEUMATIC SWITCH

Factory Default Setting

Transmitter with fixed code, receiver non-programmed, upon switching on the receiver the status LED is permanently green, receiver has to be programmed before first use. When receiving a signal from any compatible transmitter, the status LED flashes briefly before going back to green permanently.

Programming

One (1) Transmitter: Press programming button for 3 seconds, LED flashes slowly. Now activate the DW switch within 5 minutes. Upon receiving the DW signal, the receiver LED rapidly flashes 8 times while the code is being saved and then the LED flashes slowly. Press button for 3 seconds¹. After that, the LED goes off.

Two (2) Transmitters: Press programming button for 3 seconds, LED flashes slowly. Now activate the first DW switch within 5 minutes. Upon receiving the DW signal, the receiver LED rapidly flashes 8 times while





the code is being saved and then the LED flashes slowly. Now activate the second DW switch within 5 minutes. Upon receiving the DW signal, the receiver LED again will rapidly flashes 8 times while the code is being saved. After that, the LED goes off.

¹ Any longer than 3 seconds and the Receiver will require reprogramming.






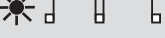
Low battery

If the battery voltage drops below a certain value, the transmitter's LED flashes twice (instead of once and battery replacement should be considered. Additionally, if the battery is not replaced, the receiver's LED will flash continuously. If the voltage drops below a critical level, the receiver LED will flash slower indicating that the relay gate is no longer being set. will flash continuously. If the voltage drops below a critical level, the receiver LED will flash slower indicating that the relay gate is no longer being set.

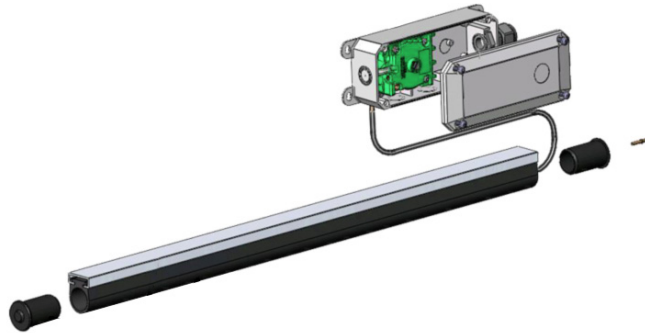
Status LED conditions emitter

Activity	LED	Description
Off		Idle
Flashes once		Activation signal is being transmitted. System OK
Flashes twice		Activation signal is being transmitted with reduced power, battery is low.
Flashes 3 x		Activation signal is being transmitted with heavily reduced power, better is nearly empty, no relay activation. Replace battery immediately!

Status LED conditions receiver

Activity	LED	Description
Off		Idle
Flashing steadily		Ready for being programmed
Rapidly flashes 8 x		Transmitter code is being saved
Flashes once		Relay gate is being set. System OK
Flashes permanently		Relay gate is being set. Transmitter battery low, consider replacing
Blinking permanently		Relay gate is not being set. Transmitter battery very low, Replace immediately

PNEUMATIC SWITCH

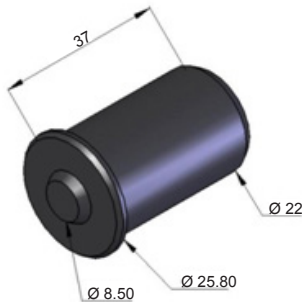


Accessories

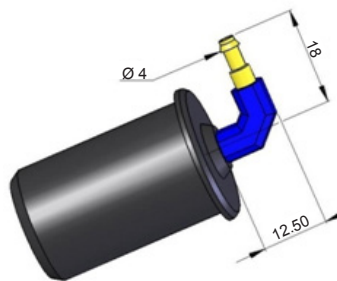
Various accessories can be purchased to complete a pneumatic sensing edge system for almost any application.

Article name	Article number	Description
21 Z 56	79221956-2	End plug
21 Z 60	79221960-2	Straight connector plug
21 Z 59	79221959-2	90° connector plug
Silicone hose	79220001-2	Silicone hose, i.D. 2 mm [0.08 in], o.D. 5 mm [0.2 in] 2 x 5 mm [0.08 x 0.2 in]
21 F 53	79220453-2	90° angle connector
21 F 55	79220455-2	Straight connector

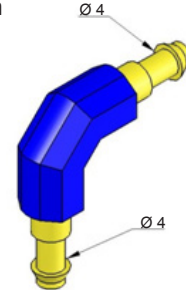
21 Z 56, end plug



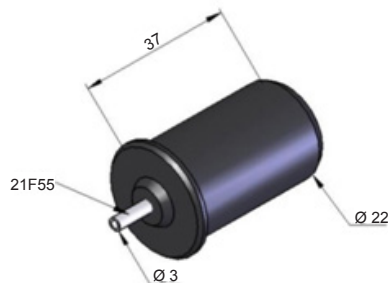
21 Z 59, connector plug



**21 F 53, angle-connector
2 x 4 mm**



21 Z 56, end plug



21 F 55, connectors 2 x 4 mm

