

cegard/Smart

Technical data

BENEFITS

- ▶ Easy installation by any elevator technician (dynamic mounting)
- ▶ Universal IoT enabling across the entire elevator portfolio: different manufacturers, models and age groups of elevators
- ▶ Transparency on the health status of the elevator and especially the elevator doors
- ▶ Enabling data-driven and preventive maintenance while reducing corrective maintenance
- ▶ Enabling insight into people flow in the building
- ▶ Meets the requirements of ASME A17.1-2016 / CSA B44-16 and earlier, ASME A17.5-2019 / CSA B44.1:19 and EN 81-20:2020 standards



OPTICAL - LIGHT CURTAIN

Operating range	0 ... 3 m (0 ... 9.84 ft)
Protection height	1,806 mm (71.1 in)
No. of optical elements	39
No. of beams	115
Max. ambient light	100,000 Lux

MECHANICAL

Dimensions (w × h × l)	
- Light curtain	11.5 × 16 × 2,000 mm (0.453 × 0.63 × 78.74 in)
- Control unit	280 × 200 × 80 mm (11.024 × 7.874 × 3.149 in)
Housing material	
- Light curtain	Aluminum, black powder coated
- Control unit	ABS thermoplastic (UL 94-HB rated)
Enclosure rating	
- Light curtain	IP65
- Control unit	IP20
Temperature range	
- Operation	
- Light curtain	-20°C ... +60°C
- Control unit	-30 °C ... +60 °C
- Storage	-40°C ... +70°C

ELECTRICAL - CONTROL UNIT

Supply voltage U_{sp}	100 ... 240 VAC
Output	Relay
Max. power-up time t_1	< 5 s
Max. relay current (output)	
- UL rated contact	12 A at 125 VAC, 8 A at 28 VDC
- TÜV	6 A at 250 VAC, 6 A at 28 VDC
Max. number of mechanical relay operations	
Typical system response time t_2	< 130 ms
Typical system release time t_3	< 420 ms
Mobile Internet connection	4G/LTE

CONNECTION CABLE - LIGHT CURTAIN

LIGHT CURTAIN

Length - connection cable	
- Pigtail	400 mm
- Extension cable	5 m
Max. cable length	10 m per edge
Connection	M8, 6-pin, Ø10 mm
Diameter	Ø 4.2 mm
Material	PVC, black
Plug color	
- Tx	White
- Rx	Blue

CONNECTORS - CONTROL UNIT

Control unit (plug is connected to PCB)	
- Power / output	Orange, 6-pin, WAGO 231-306 (*)

GENERAL - CONTROL UNIT

EMC emission	EN 12015:2014
EMC immunity	EN 12016:2013, ISO 22200:2009
Vibration	IEC 60068-2-6:2007
Shock	IEC 60068-2-27:2008
RoHS, REACH	2011/65/EU, 1907/2006 EU
Certificates	
- USA / Canada	
• CSA	CSA B44.1:19 / ASME A17.5-2019
• FCC	Class B (**)
- Europe	
• CE / UKCA	2014/30/EU, 2014/33/EU

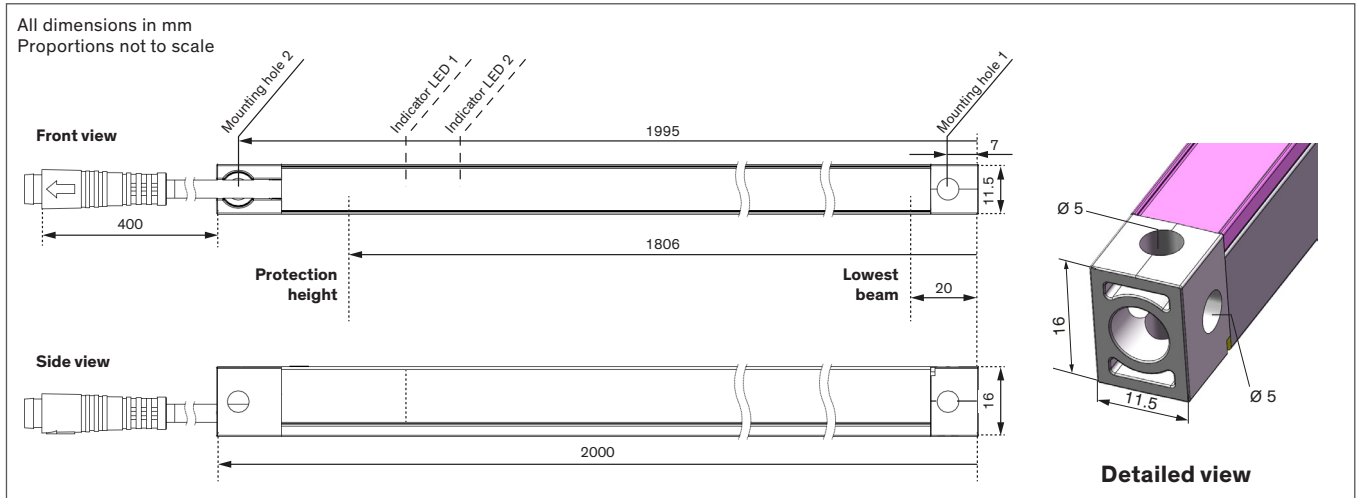
* or equivalent

** For further information - see Installation and Operation manual

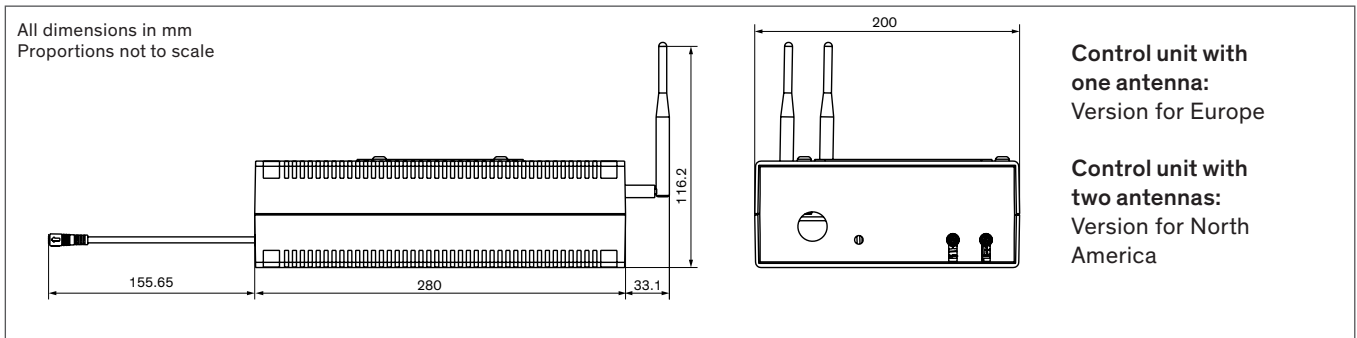


CEDES AG is certified according to ISO 9001: 2015.

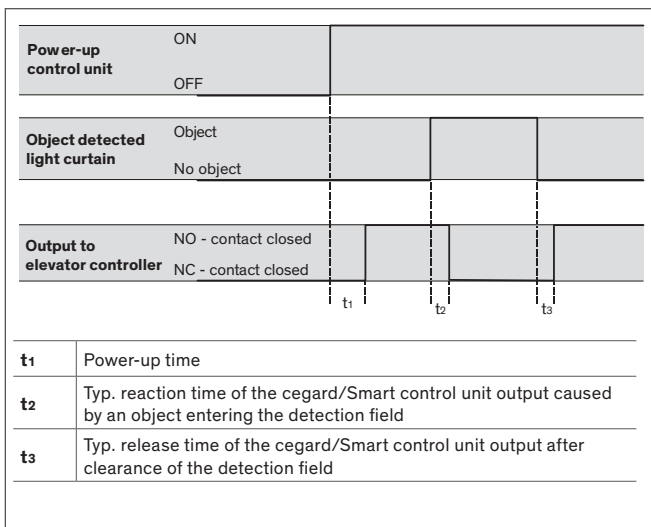
Dimensions – light curtain



Dimensions – control unit



Timing diagram (light curtain and control unit)



Electrical connection

