

Accessories

OGD-S 2000



General data

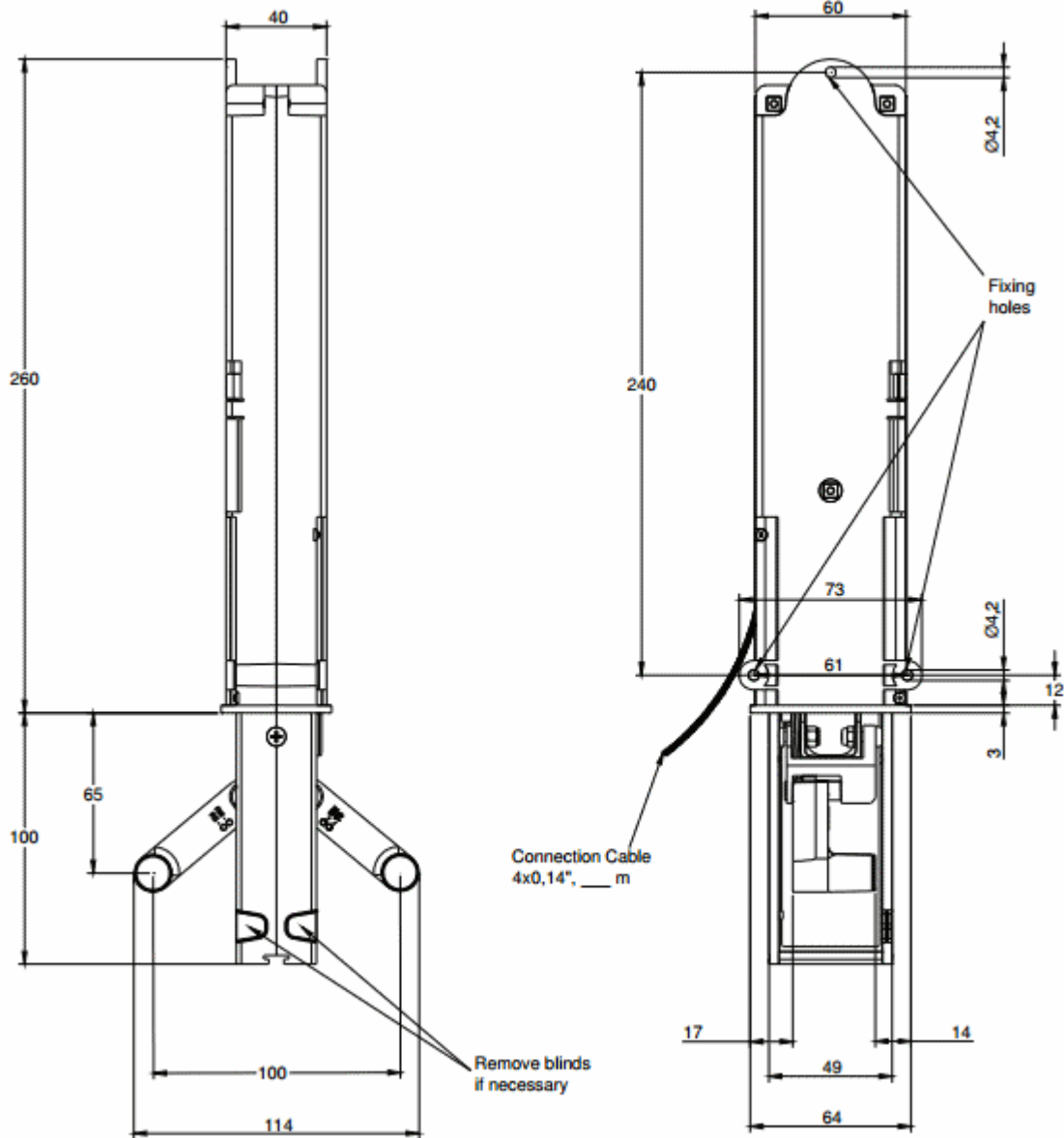
Interface	OSE
-----------	-----

Technical data

Operating range	1.5 m ... 7 m
Protection class (DIN EN 60529)	IP65
Safety output	OSE safety signal
Start / restart interlock	None
Operating temperature	-10 ... +55 °C (+14 ... +131 °F)
Operating voltage	5 V - 24 VDC
Power consumption	60 mA max.
Maximum permissible cable length	30 m (between sensor and PELV supply)
Operating humidity	15 ... 95%
Touch down speed	max. 15 cm/s
Number of beams	2

Mechanical data

Potting material	Polyurethane
Housing dimensions	40 x 260 x 60 mm [1.57 x 10.24 x 2.36"]



Contact



CEDES AG
sales@cedes.com