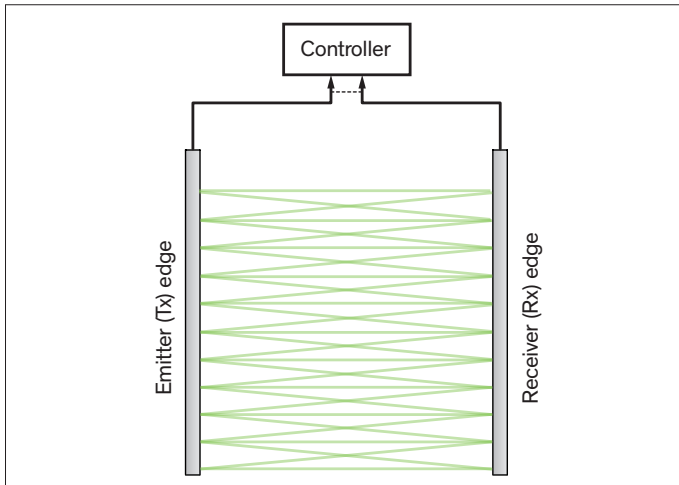


# easygard 100

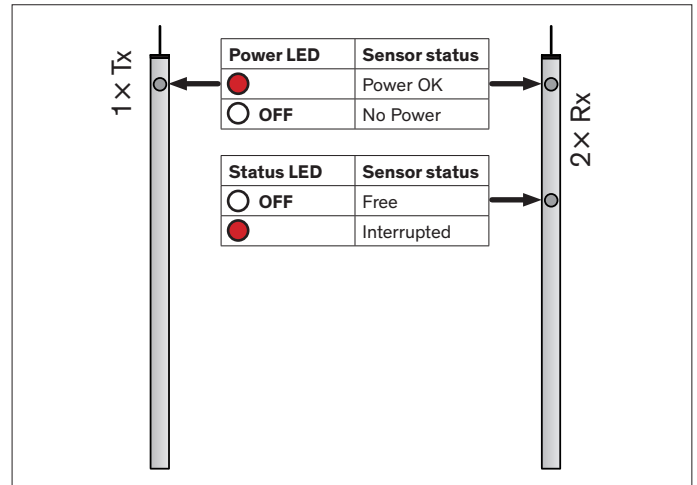
Push-pull & state-relay output

## Installation guide

### Overview



### LED description

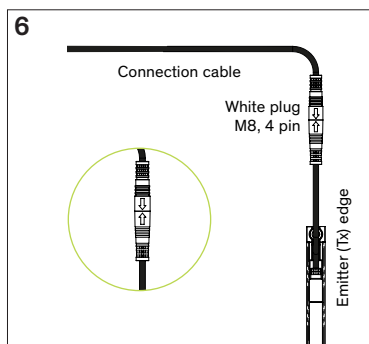
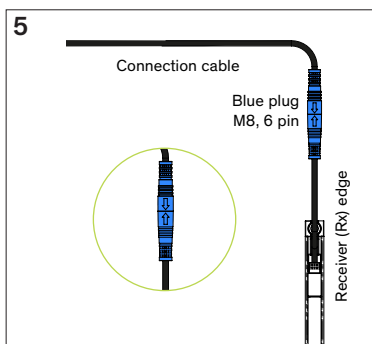
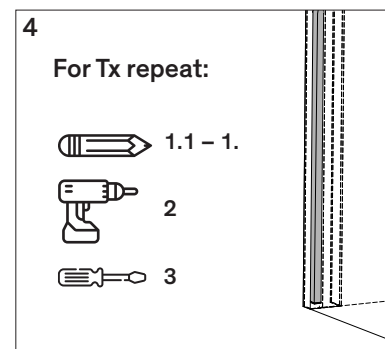
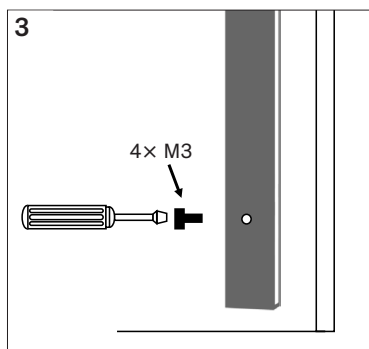
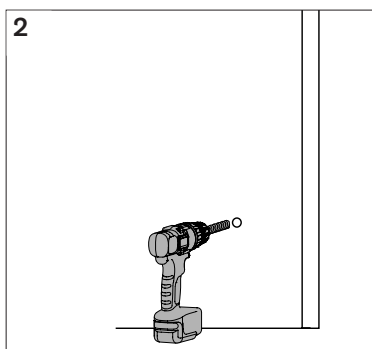
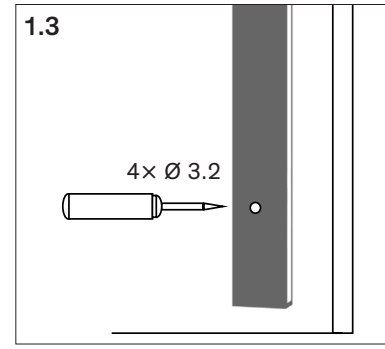
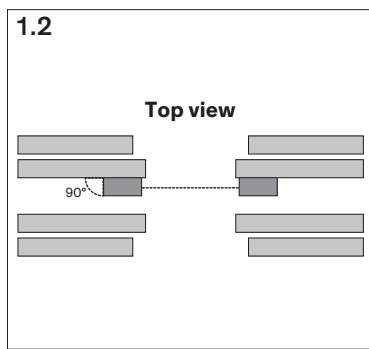
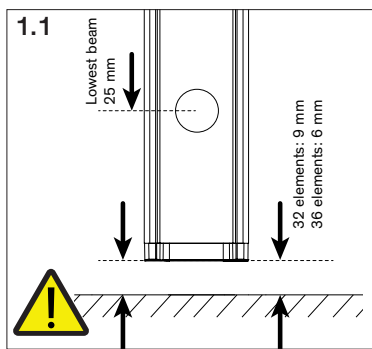


### Installation

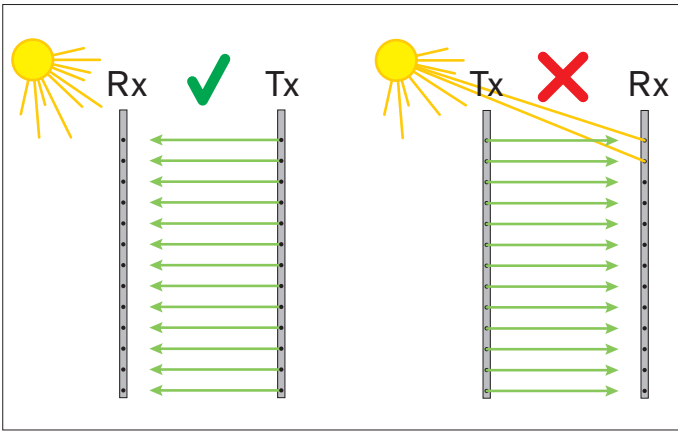


#### Important:

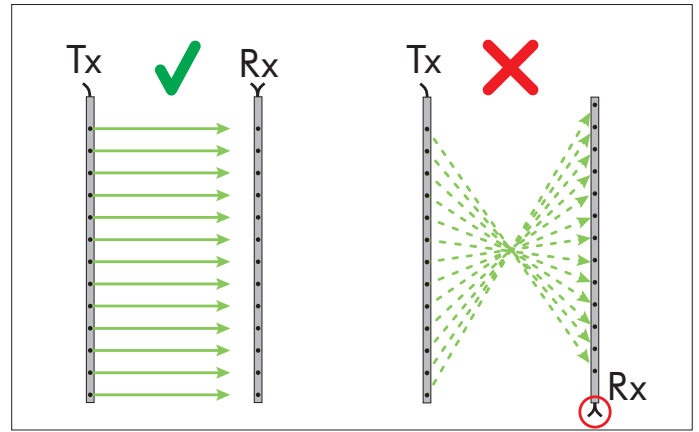
- ▶ Switch off main power and mark application „Out of service“.
- ▶ Follow all applicable safety measures.
- ▶ Make sure that your installation complies with all applicable regulations and safety measures.



## Mounting conditions

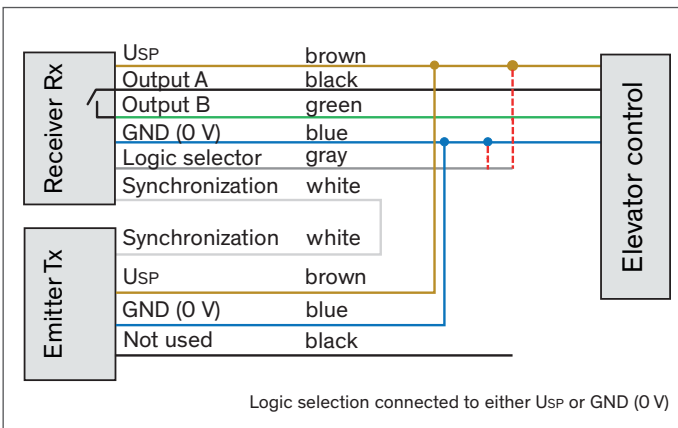


► Although the easygard is insensitive to direct sunlight, avoid all unnecessary exposure if possible, most especially to the receiver.

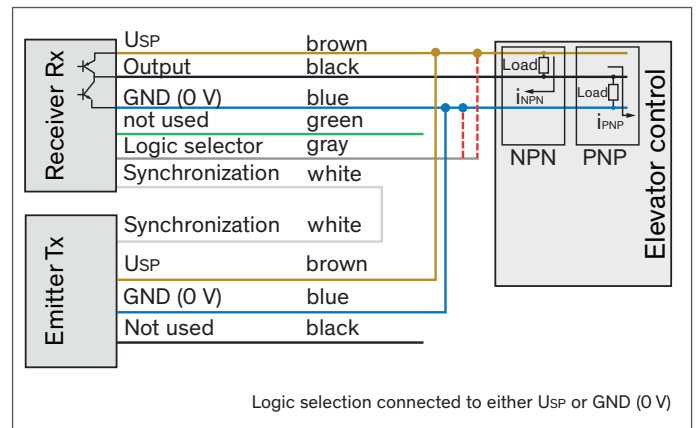


► Make sure to place the connection plugs for both the emitter and receiver at the same end.

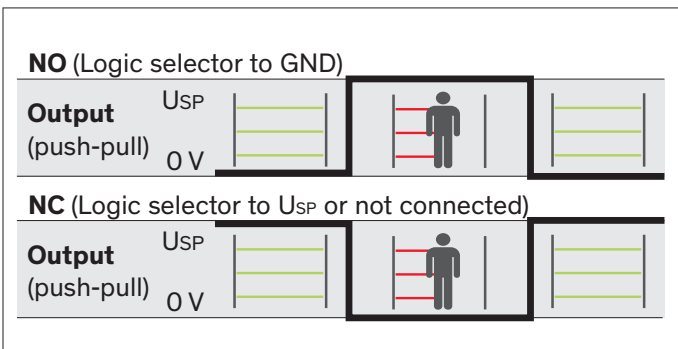
## Wiring – solid state relay output



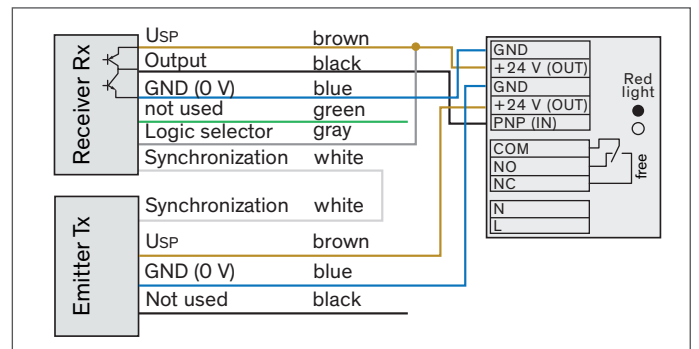
## Wiring – push-pull output



## Output logic



## Wiring SPS-2D (N° 112 199) with push-pull output



## Wiring power converter (N° 106 666) with push-pull output

