

GridScan/Pro SI

Technical data

FEATURES

- ▶ TÜV – EC Type examination certified
- ▶ SIL 2 certified
- ▶ Direct integration into the door edge due to door blanking
- ▶ Serial interface RS485
- ▶ Single beam information
- ▶ Easiest alignment
- ▶ Standby mode
- ▶ Maintenance information
- ▶ Door closing speed up to 1.6 m/s
- ▶ Cross section only 12 mm × 14.5 mm

**EN 12453
E device**



OPTICAL

Operating range	1 ... 10 m
Number of elements	12 ... 60 (depending on edge length and resolution)
Max. protection height	Up to 2,500 mm
Max. ambient light	100,000 Lux

MECHANICAL

Cross section	12 mm × 14.5 mm
Housing material	Natural anodized aluminum
Enclosure rating	IP68 (Cable: IP67)
Temperature range	-40°C ... +60°C

ELECTRICAL

Supply voltage U_{sp}	10 ... 30 VDC
Max. current consumption at 24 VDC	50 mA
Output	Serial interface RS485
Termination of RS485	120 Ω (internally)
Typ. response time with 22 elements	40 ms
Max. response time with 22 elements	80 ms
Max. door closing speed	1.6 m/s
Max. door opening speed	> 3 m/s
Status LED Rx:	Object detected red No object detected green
Power LED Tx:	Power ok green

GENERAL

EMC emission	EN 61000-6-3:2007, EN 12015:2014
EMC immunity	EN 61000-6-2:2019, EN 12016:2013
Vibration	IEC 60068-2-6:2007
Shock	IEC 60068-2-27:2008
RoHS	2011/65/EU
Certificates	CE, TÜV
Safety category	EN ISO 13849-1:2015, Cat. 2, PL d EN 61508:2010, SIL 2 EN 61784-3:2017 EN 12978:2003, +A1:2009 EN 12453:2017 E device

CONNECTION CABLE AND ELECTRICAL CONNECTION

Synchronization cable

Length	10 m
Connection	Screwable M8, 4 pin
Diameter	\varnothing 3.5 mm
Material	PVC, black
Plug color	Black
Wires	AWG26
• brown	U _{SP}
• blue	GND (0 V)
• black	Communication
• white	Not used

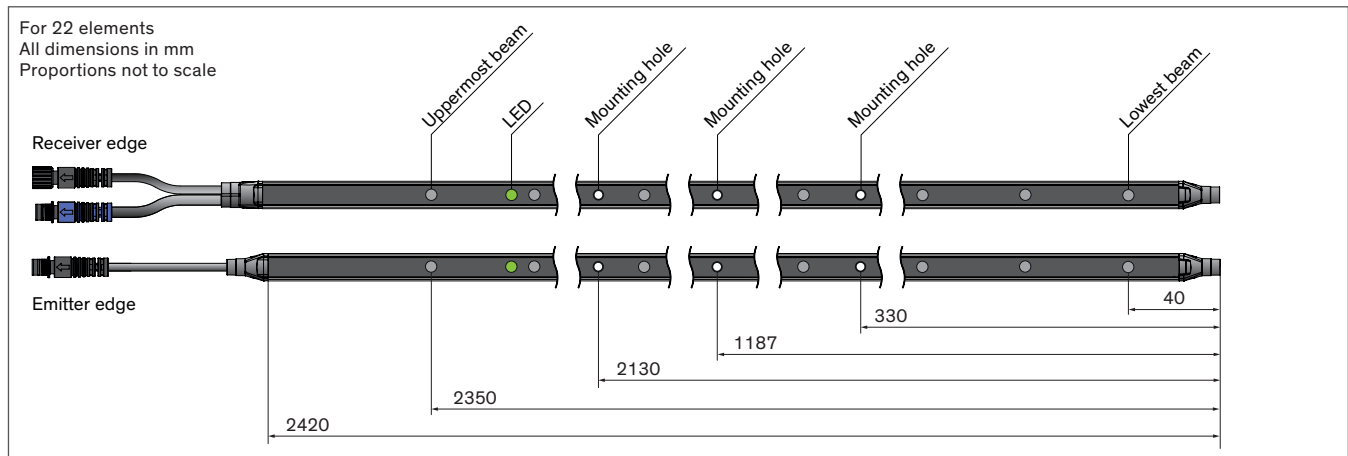
Connection cable

Cable length	5 m
Connection	Screwable M8, 6 pin
Diameter	\varnothing 4.2 mm
Material	PVC, black
Plug color	Blue
Wires	AWG26
• brown	U _{SP}
• blue	GND (0 V)
• black	Not used
• white	Not used
• gray	RS485 Data B
• green	RS485 Data A

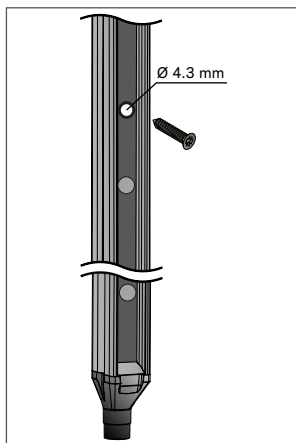


CEDES AG is certified according to ISO 9001: 2015.

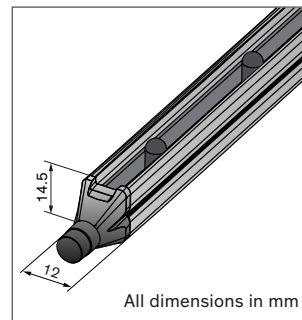
Dimensions



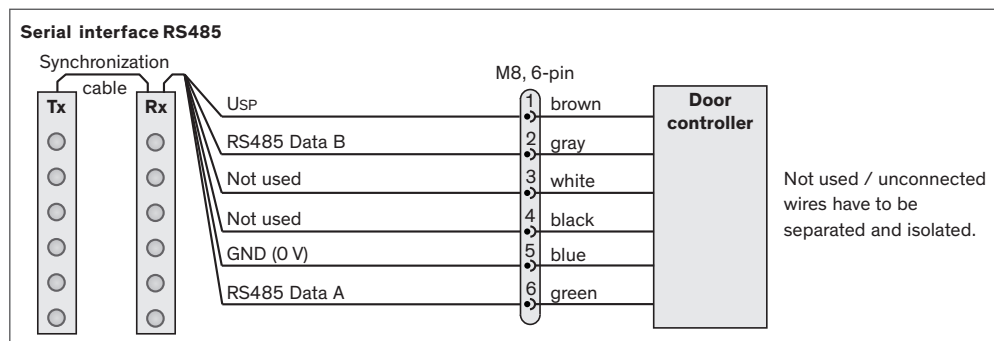
Front mounting



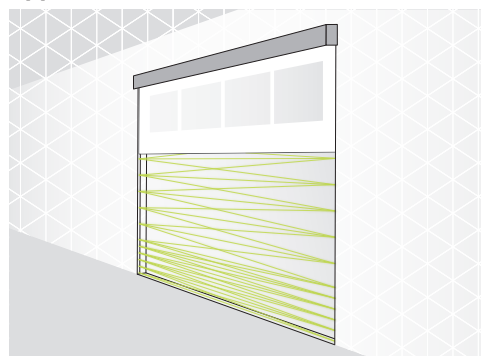
Detailed view



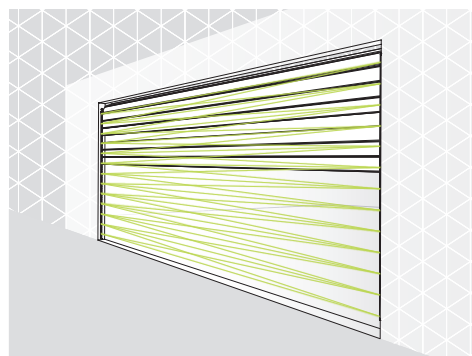
Connection diagram



Applications



High-speed and sectional doors
 (with door blanking)



Sectional doors
 (static mounting, without door blanking)