

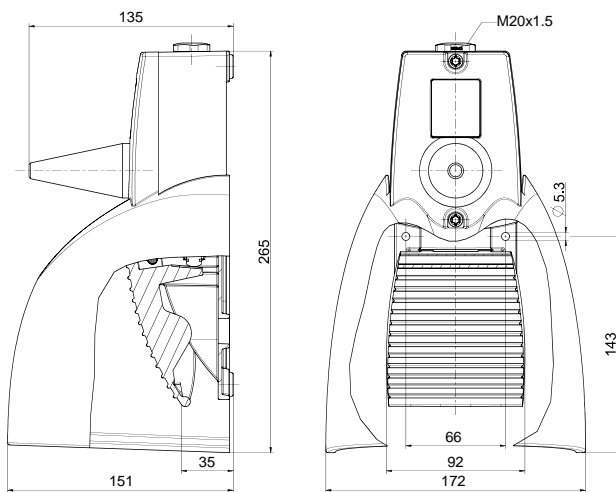


## Wireless foot switch Extreme RF GFSI SW868 Extreme Material number: 1287232

### Features/Options:

- Corrosion-resistant aluminium enclosure
- Screws made of stainless steel
- sWave® wireless technology
- With protective shield
- Ergonomic pedal design and wide opening in protective shield
- No power supply, no wiring and pipe laying required
- Easy programming of receiver
- Output signal can be individually configured at the receiver

### Dimensions



### Technical data

Applied standards	EN 60947-5-1, EN 61000-6-2, EN 61000-6-3, EN 61000-4-2, EN 301 489-1, EN 301 489-3, EN 300 220-1, EN 300 220-2
Enclosure	aluminium, corrosion-resistant, powder-coated, anthracite grey, similar to RAL 7016
Pedal	aluminium, corrosion-resistant, hard-coated, powder-coated, anthracite grey, similar to RAL 7016
Protective shield	aluminium, corrosion-resistant, powder-coated, signal yellow, similar to RAL 1003
Degree of protection	IP 67 to IEC/EN 60529
Protocol	sWave®
Frequency	868.3 MHz (Europe)
Transmission power	< 25 mW
Data rate	66 kbps
Channel bandwidth	480 kHz
Voltage supply	electrodynamic energy generator
Ambient temperature	-20 °C ... +65 °C
Operation cycles	approx. 12000 telegrams with repetitions/h
Wireless range	max. 450 m outside, max. 40 m inside
Mechanical life	> 1 million operations
Actuating time	min. 80 ms
Note	no status signal available
Weight	1200 g

Errors and omissions excepted.