



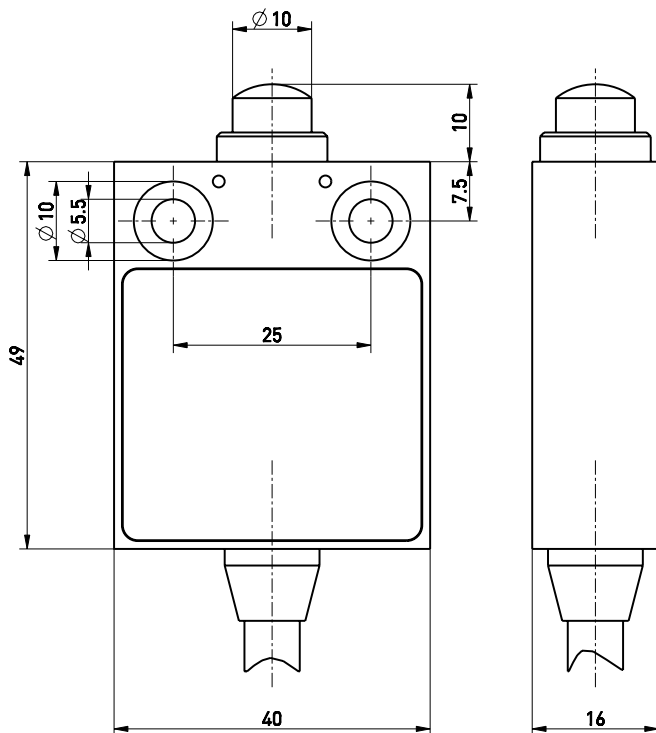
## Ex position switch Ex 13

### Vlastnosti/možnosti

- Ex zone 1 and 21
- Thermoplastic enclosure
- Double insulated
- Slow action  $\ominus$ , change-over contact with double break
- Slow action available with contact overlapping
- Suitable for in-line mounting

- With pre-wired cable
- Special cables available on request
- Gold-plated contacts available on request
- Special version only for dust Ex zone 22 available
- N.B.: Please state required approvals for Russia, China, Brazil and North America with your order!

### Rozměry



### Technická data

Standards	EN 60947-5-1; EN 1088; EN 60079-0, EN 60079-1, EN 60079-31
Enclosure	glass-fibre reinforced, shock-proof thermoplastic, self-extinguishing UL 94-V0 IP 65 to IEC/EN 60529
Degree of protection	IP 65 to IEC/EN 60529
Contact material	silver
Switching system	slow action, positive break NC contacts $\ominus$
Switching elements	change-over contact with double break Zb, galvanically separated contact bridges
Connection	cable H05VV-F, 4 x 0.75 mm <sup>2</sup>
$U_{imp}$	4 kV
$U_i$	250 V
$I_{the}$	T6: 6 A, T5: 3 A
$I_e/U_e$	6 A/250 VAC; 0.25 A/230 VDC
Utilisation category	AC-15; DC-13
Max. fuse rating	6 A gG/gN fuse
Ambient temperature	T6: -20 °C ... +65 °C, T5: -20 °C ... +95 °C
Mechanical life	> 1 million operations
Frequency of operation	1800/h
Repeat accuracy of switching points	± 0.1 mm
Contact gap	max. 2 x 4 mm
Ex marking	$\text{Ex}$ II 2G Ex d IIC T6/T5 Gb, $\text{Ex}$ II 2D Ex tb IIIC T80 °C/T95 °C Db IP65 IECEX Ex d IIC T6/T5 Gb, Ex tb IIIC T80 °C/T95 °C Db IP65
Approvals	PTB 03 ATEX 1068 X IECEX PTB 06.0053X







Omyly a technické změny vyhrazeny.



## Ex position switch Ex 13

### Ordering details

Plunger * with safety function	Typ	Číslo materiálu 1053444 1044864 1044865
		
Plunger with collar W * with safety function	Typ	Číslo materiálu 1044934 1044933 1179638
		
Plunger for front mounting F * with safety function	Typ	Číslo materiálu 1189142 1045227 na vyžádání
		
Ball plunger KU * with safety function	Typ	Číslo materiálu 1170833 1044955 1044954
		



## Ex position switch Ex 13

### Ordering details

Ball plunger with collar WKU

Typ

Číslo materi

\* with safety function

álu  
1189146  
1189145  
1053810



Ball plunger for front mounting FKU

Typ

Číslo materi

\* with safety function

álu  
1189147  
1171974  
na vyžádání



Roller plunger R

Typ

Číslo materi

\* with safety function

álu  
1044995  
1044998  
1045003



Roller plunger with collar WR

Typ

Číslo materi

\* with safety function

álu  
1045061  
1045064  
1045066





## Ex position switch Ex 13

### Ordering details

Roller plunger for front mounting FR

Typ

\* with safety function



Číslo materi

álu

1189148

1189150

na vyžádání

Roller lever with collar WH

Typ

\* with safety function



Číslo materi

álu

1045100

1045101

1045114

Long roller lever with collar WHL

Typ

\* with safety function



Číslo materi

álu

1045126

1045130

1045138



## Ex position switch Ex 13

### Ordering details

Offset roller lever with collar WHK



Typ  
Ex 13 WHK 1Ö/1S - 2m  
Ex 13 WHK 1Ö/1S - 5m  
Ex 13 WHK 1Ö/1S - 10m

Číslo materi  
álu  
1189153  
1045151  
1051579

Parallel roller lever with collar WPH

\* with safety function



Typ

Číslo materi  
álu  
1189156  
1045166  
1045167

Rocking lever D

\* with safety function



Typ

Číslo materi  
álu  
1189157  
1052253  
1045173



## Ex position switch Ex 13

### Ordering details

Long rocking lever DL

\* with safety function



Typ

Číslo materi  
álu  
1189163  
1045189  
1164968

Adjustable rocking lever DS



Typ

Ex 13 DS 10/1S - 2m  
Ex 13 DS 10/1S - 5m  
Ex 13 DS 10/1S - 10m

Číslo materi  
álu  
1177362  
1045194  
1045197

Rod lever DD



Typ

Ex 13 DD 10/1S - 2m  
Ex 13 DD 10/1S - 5m  
Ex 13 DD 10/1S - 10m

Číslo materi  
álu  
1177841  
1177859  
na vyžádání



## Ex position switch Ex 13

### Ordering details

#### Long spring rod TL



Typ  
Ex 13 TL 1Ö/1S - 2m  
Ex 13 TL 1Ö/1S - 5m  
Ex 13 TL 1Ö/1S - 10m

Číslo materi  
álu  
1189165  
1181045  
na vyžádání

#### Spring rod with steel tip TF



Typ  
Ex 13 TF 1Ö/1S - 2m  
Ex 13 TF 1Ö/1S - 5m  
Ex 13 TF 1Ö/1S - 10m

Číslo materi  
álu  
1045202  
1045204  
1183498

#### Spring rod with plastic tip TK



Typ  
Ex 13 TK 1Ö/1S - 2m  
Ex 13 TK 1Ö/1S - 5m  
Ex 13 TK 1Ö/1S - 10m

Číslo materi  
álu  
1189166  
1045211  
1045214



## Ex position switch Ex 13

### Options

Cable entry on side S



Mechanical latching V  
(locking by actuation, unlocking by pulling  
the unlocking button)

