



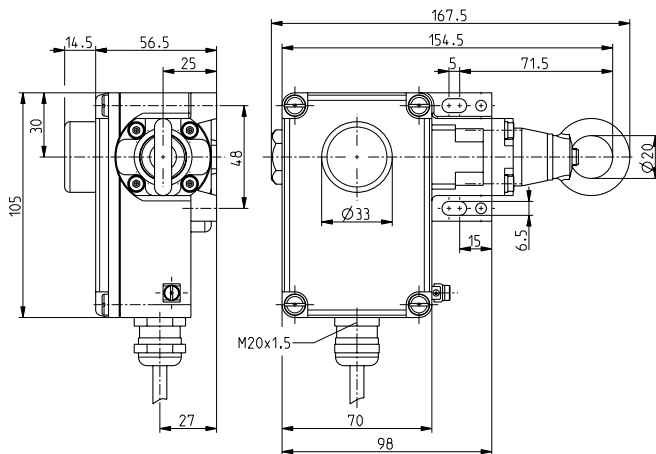
Ex emergency pull-wire switches Ex ZS 73 10/1S VD / 295-390 N - 3m

Material number: 1048127 (Material number old: 73041303)

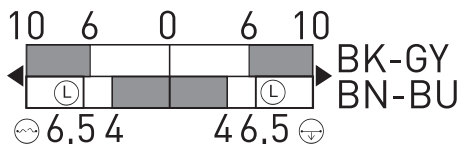
Features/Options

- Ex zone 1 and 21
- 2 contacts
- Wire length up to 130 m
- Adjustable actuating force: 295-390 N
- Release by push-button (VD)
- Wire pull and breakage detection
- N.B.: Please state required approvals for Russia, Brazil and North America with your order!

Dimensions



Switching diagram



Note:

At 5 m distance intermediate wire supports are required. One wire thimble is provided.

Technical data

Standards	EN 60947-5-1, -5; EN 60079-0, EN 60079-1, EN 60079-31; EN ISO 13850; EN ISO 13849-1
Enclosure Cover	aluminium die-cast, enamel finish glass-fibre reinforced, shock-proof thermoplastic, ultramid
Switch insert	Ex 14
Degree of protection	IP 65 to IEC/EN 60529
Contact material	silver
Switching system	slow action, positive break NC contacts ⊖
Switching elements	change-over contact with double break
Connection	cable H05VV-F, length 3 m
Cable cross-section	4 x 0.75 mm ² (incl. conductor ferrules)
B_{10d} (10 % Load)	200 000
T_M	max. 20 years
U_{imp}	4 kV
U_i	250 V
I_{the}	T6: 6 A, T5: 3 A
Utilisation category	AC-15; DC-13
I_e/U_e	6 A/250 VAC; 0.25 A/230 VDC
Max. fuse rating	6 A gG/gN fuse
Ambient temperature	T6: -20 °C ... +65 °C, T5: -20 °C ... +90 °C
Mechanical life	> 100 000 operations
Max. wire length	130 m
Features	wire pull and breakage detection
Ex marking	⊕ II 2G Ex d IIC T6/T5 Gb, ⊕ II 2D Ex tb IIIC T80 °C/T95 °C Db IECEx Ex d IIC T6/T5 Gb, Ex tb IIIC T80 °C/T95 °C Db
Approvals	PTB 11 ATEX 1003 X IECEx PTB 07.0034 X



Weight

1000 g

Errors and omissions excepted.