



Ex inductive sensor Ex IS M18nb 8ABBAB N 1GD 5m Material number: 1377234

Features/Options:

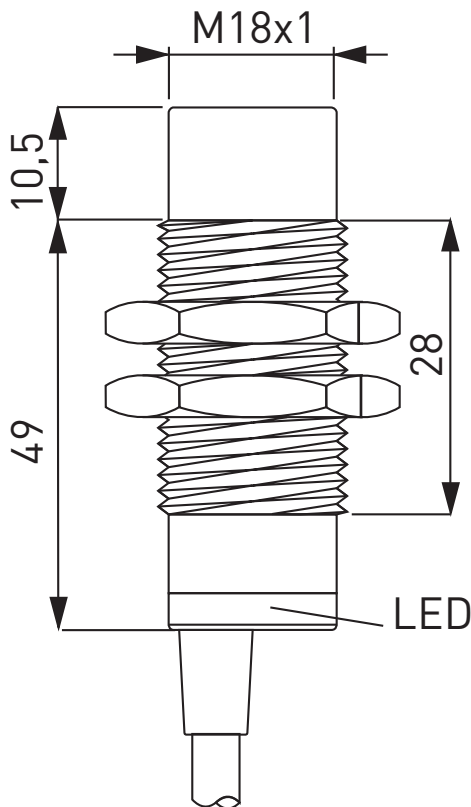
- Ex zone 0 and 20
- Stainless steel enclosure
- Non-flush mounting
- Long life, no mechanical wear
- Suitable for the food processing industry
- Insensitive to soiling
- With LED

Notes

- 2 mounting nuts are included in delivery

- Enclosure diameter M18 x 1
- With pre-wired cable, cable length 5 m
- N.B.: Please state required international approvals with your order!
- Appropriate intrinsical safe switch amplifiers see chapter [/ Ex IS Safe switch amplifiers >](#)

Dimensions



Technical data

Applied standards	EN 60079-0, EN 60079-11, EN 60079-26
Enclosure	Stainless steel 1.4305
Front cap	POM
Connection	cablE PUR blue
Cable diameter	4.5 mm
Cable cross-section	2 x 0.5 mm ²
Degree of protection	IP 66, IP 67, IP 68 (EN 60079-0 + IEC/EN 60529)
Switching system	Namur to EN 60947-5-6
Rated switching distance s _n	8 mm
Correction factors	Steel (Fe360) = 1; Stainless steel approx. 0.7; Brass approx. 0.5; Aluminium approx. 0.4; Copper approx. 0.4
Rated operating voltage range U _B	8.2 VDC
Current absorption	in presence of metal ≤ 1 mA; in absence of metal ≥ 3 mA
Switching frequency	1000 Hz
Repeatability	≤ 3 %
Protection circuit	Inductive interference protection, protection against polarity reversal, short-circuit and overload proof
Ambient temperature	-25 °C ... +60 °C

Errors and omissions excepted.



Ex inductive sensor
Ex IS M18nb 8ABBAB N 1GD 5m
Material number: 1377234

Technical data

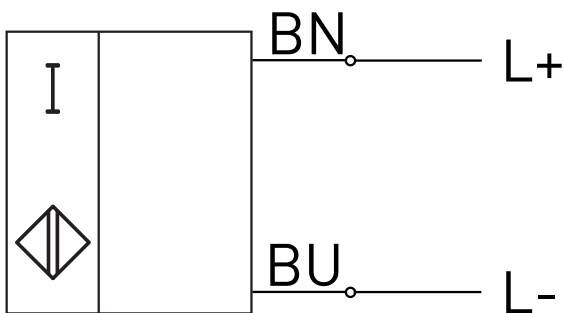
Ex marking

⊕ II 1G Ex ia IIB/IIC T6 Ga,
⊕ II 1D Ex ia IIIC T85°C Da IP66/
IP67/IP68
IECEX Ex ia IIB/IIC T6 Ga
Ex ia IIIC T85°C Da IP66/IP67/
IP68

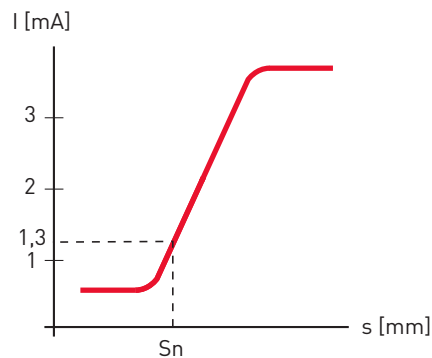
Approvals

IMQ 14 ATEX 001
IECEX IMQ 14.0001X

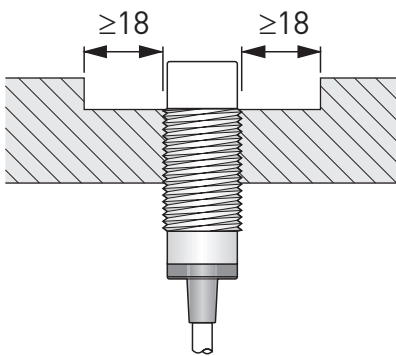
Contact diagram



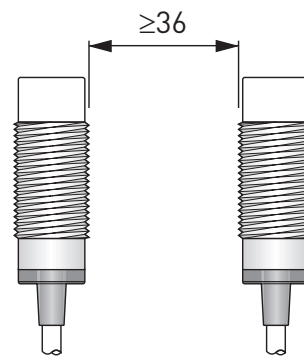
Switching behaviour



Non-flush mounting



Side by side mounting



Errors and omissions excepted.