



## Safety foot switches

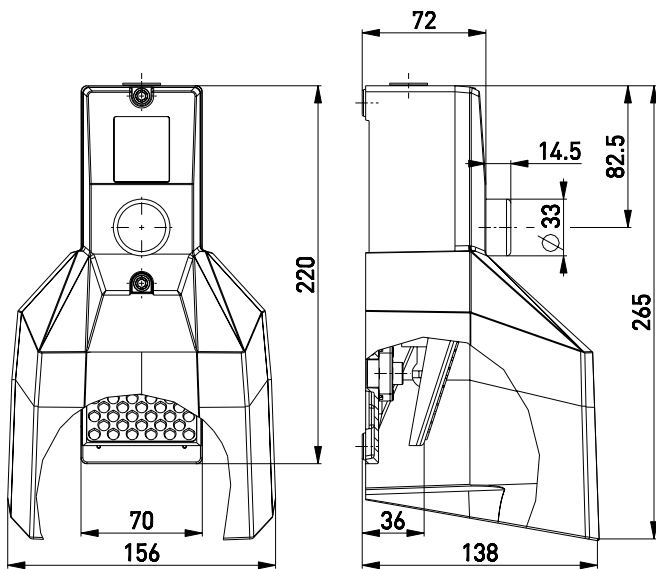
### GFS 1S D 1Ö VD

Material number: 1048696 (Material number old: 81225001)

#### Features/Options

- NC contact 15-16  $\ominus$  in series with NO contact 23-24 (internal wiring)
- Metal enclosure
- Wiring compartment

#### Dimensions

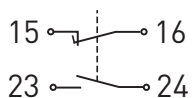


#### Technical data

<b>Standards</b>	EN ISO 13849-1; EN 60947-5-1, BG-GS-ET-15
<b>Enclosure</b>	aluminium die-cast, enamel finish, RAL 5011
<b>Pedal</b>	glass-fibre reinforced thermoplastic
<b>Protective shield</b>	aluminium die-cast, enamel finish, RAL 5011
<b>Connection</b>	screw connection terminals
<b>Cable cross-section</b>	max. 2.5 mm <sup>2</sup> (incl. conductor ferrules)
<b>Cable entry</b>	1 x M20 x 1.5
<b>Contact material</b>	silver
<b>Degree of protection</b>	IP 65 to IEC/EN 60529
<b>Switching system</b>	slow action with double break, positive break NC contacts $\ominus$
<b>Switch insert</b>	ES 60 GF VD
<b>Switching elements</b>	1 NO/1 NC contact
<b>Actuating force</b>	approx. 240 N
<b>B<sub>10d</sub> (10 % Load)</b>	200 000
<b>T<sub>M</sub></b>	max. 20 years
<b>Utilisation category</b>	AC-15
<b>U<sub>imp</sub></b>	6 kV
<b>U<sub>i</sub></b>	500 V
<b>I<sub>the</sub></b>	16 A
<b>I<sub>e</sub>/U<sub>e</sub></b>	16 A/400 VAC
<b>Contact load capacity</b>	max. 400 VAC, max. 16 A (cos φ = 1)
<b>Max. fuse rating</b>	16 A gG/gN fuse
<b>Ambient temperature</b>	-25 °C ... +80 °C
<b>Mechanical life</b>	> 100 000 operations
<b>Approvals</b>	
<b>Weight</b>	1000 g

Errors and omissions excepted.

#### Contact diagram





## Safety foot switches

GFS 1S D 1Ö VD

Material number: 1048696 (Material number old: 81225001)

### Switching diagram

