

ELS 400

Technical data

FEATURES

- ▶ Easy mounting without expensive kits
- ▶ Resistant to ambient light
- ▶ Operating range up to 5 m
- ▶ PNP or NPN output, light or dark switching available



OPTICAL

Operating range	0.3 ... 5 m
Aperture angle	
- Emitter	±5° at 3 m
- Receiver	±8° at 3 m
Max. ambient light	100,000 Lux

MECHANICAL

Dimensions (l × w × h)	98 × 11.6 × 11.1 mm
Housing material	PC
Enclosure rating	IP65
Temperature range	-25°C ... +60°C

ELECTRICAL

Supply voltage U_{sp}	10 ... 30 VDC
Current consumption	
- Emitter	< 30 mA at 24 VDC
- Receiver	< 10 mA at 24 VDC
Output	PNP or NPN
Max. output current	30 mA
Response time	< 5 ms

GENERAL

EMC emission	EN 61000-6-3:2007, EN 12015:2014
EMC immunity	EN 61000-6-2:2005, EN 12016:2013
Vibration	IEC 60068-2-6:2007
Shock	IEC 60068-2-27:2008
RoHS	2011/65/EU
Certificate	CE

CONNECTION CABLE AND ELECTRICAL CONNECTION

Emitter	
Length pigtail cable	0.15 m
Connection	M8, 4-pin
Diameter	Ø 3.4 mm
Plug color	Gray
Length connection cable	6 m
Material	PVC, gray
Wires	AWG26
• white	UsP
• brown	GND

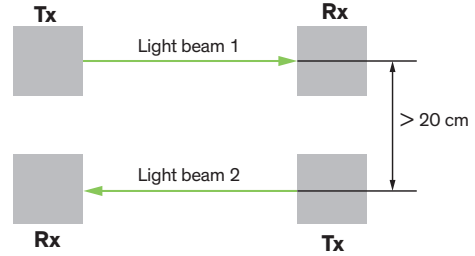
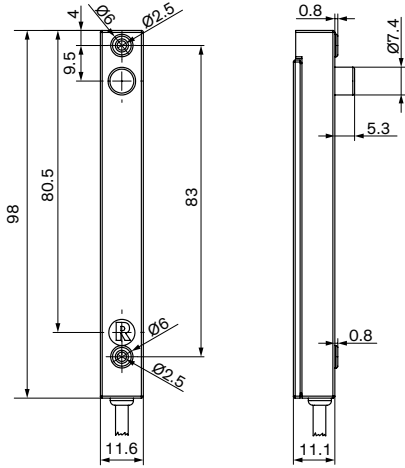
Receiver	
Length pigtail cable	0.15 m
Connection	M8, 4-pin
Diameter	Ø 3.4 mm
Plug color	Gray
Length connection cable	6 m
Material	PVC, gray
Wires	AWG26
• white	UsP
• brown	GND
• green	Output



CEDES AG is certified according to ISO 9001: 2015.

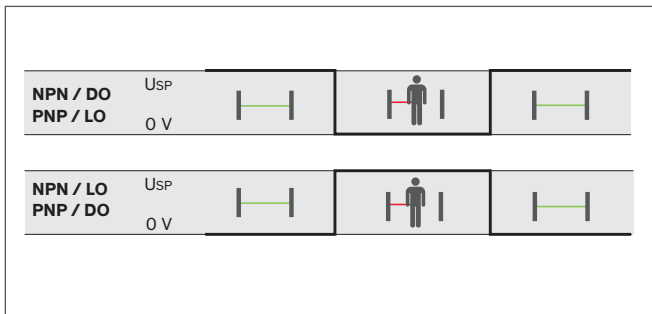
Dimensions

All dimensions in mm
Proportions not to scale

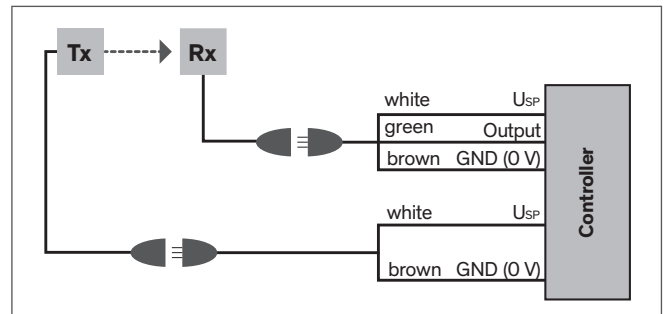


When using two through beam light barriers, pay attention to crossed mounting.

Output logic



Electrical connection



Application



Sliding doors