



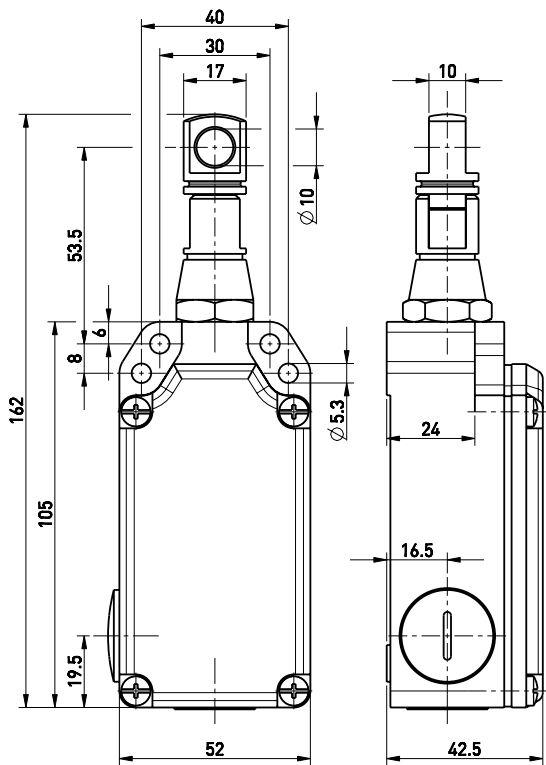
## Pull-wire switch ZS 71 1Ö/1S / 55 N

Material number: 1048069 (Material number old: 71141001)

### Features/Options

- Metal enclosure
- 2 contacts
- Small design
- Wire length up to 5 m
- Spring force variant (actuating force): 55 N for max. 5 m
- Wire pull and breakage detection
- Without mechanical latching

### Dimensions



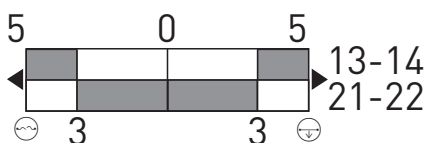
### Technical data

<b>Standards</b>	EN ISO 13849-1; EN 60947-5-1
<b>Enclosure</b>	aluminium die-cast, powder-coated
<b>Cover</b>	glass-fibre reinforced, shock-proof thermoplastic, ultramid
<b>Degree of protection</b>	IP 65 to IEC/EN 60529
<b>Contact material</b>	silver
<b>Switching elements</b>	change-over contact with double break
<b>Switching system</b>	snap action, positive break NC contacts ⊖
<b>Connection</b>	screw connection terminals
<b>Cable cross-section</b>	max. 2.5 mm <sup>2</sup> (incl. conductor ferrules)
<b>Cable entry</b>	2 x M20 x 1.5
<b>B<sub>10d</sub> (10 % Load)</b>	2 million
<b>T<sub>M</sub></b>	max. 20 years
<b>U<sub>imp</sub></b>	6 kV
<b>U<sub>i</sub></b>	400 V
<b>I<sub>the</sub></b>	6 A
<b>Utilisation category</b>	AC-15
<b>I<sub>e</sub>/U<sub>e</sub></b>	6 A/400 VAC
<b>Max. fuse rating</b>	6 A gG/gN fuse
<b>Ambient temperature</b>	-25 °C ... +70 °C
<b>Mechanical life</b>	> 1 million operations
<b>Max. wire length</b>	5 m
<b>Features</b>	wire pull and breakage detection
<b>Approvals</b>	

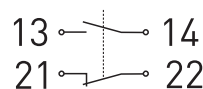
**Weight** 334 g

Errors and omissions excepted.

### Switching diagram



### Contact diagram



### Note:

At 3 m distance intermediate wire supports are required. One



Pull-wire switch  
ZS 71 1Ö/1S / 55 N

Material number: 1048069 (Material number old: 71141001)

wire thimble is provided.