



Bezpečnostní senzory HS Si 4

Vlastnosti/možnosti

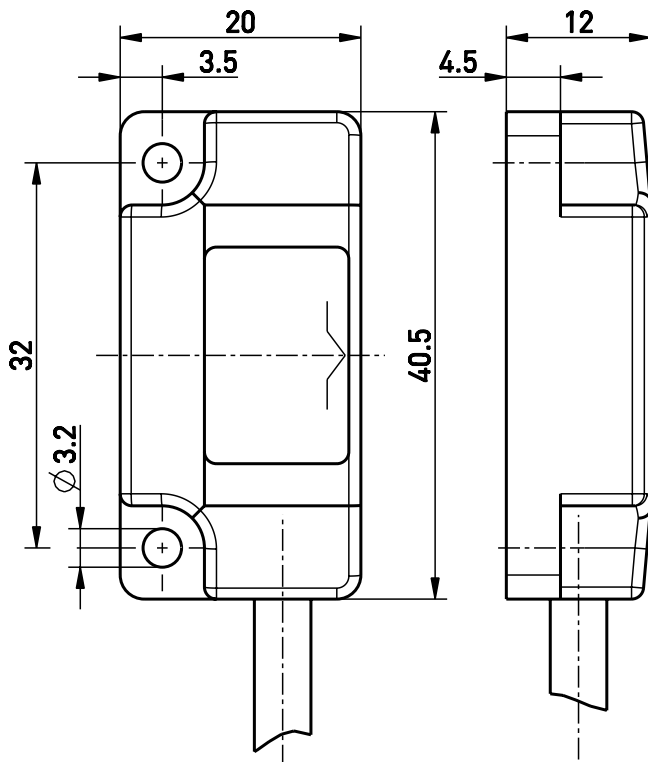
- Thermoplastic enclosure
- Long life
- High shock resistance

Note

- The actuator is not included in the delivery of the switches

- Hall sensor 1 NC/1 NO or 2 NC contacts
- Galvanically separated channels
- With pre-wired cable

Rozměry



Technická data

Standards	EN ISO 13849-1; EN 60947-5-2; EN 60947-5-3/PDF-M*; EN 954-1; EN 1088
Enclosure	glass-fibre reinforced thermoplastic, ultramid A3XZG5, self-extinguishing
Defined object	Actuator MC 4 (order no. 05.00.8221)
Degree of protection	IP 67 to IEC/EN 60529
Switching system	Hall sensor, 2 channels galvanically separated, semiconductor 1 NC/1 NO or 2 NC contacts
Connection	cable 6 x AWG 26
Safety-relevant data:	
EN 954-1	Category 4 *
EN ISO 13849-1	PL e *
T_M	max. 20 years
$MTTF_d$	> 100 years
Utilisation category	DC-13, DC-12
I_e/U_e	40 mA / 24 VDC
U_e	10 ... 30 VDC
U_i	75 VDC
U_{imp}	1 kV
Residual current	≤ 6 mA per channel
Voltage drop	max. 2.5 VDC
Switch-on/switch-off time	< 1 ms
Risk time	< 100 ms
Max. fuse rating	< 50 mA internal reversible fuse
Switching frequency	max. 1000 Hz
Degree of pollution	3
Safety class	II
Ambient temperature	-20 °C ... +70 °C
Switching distances:	
S_{ao}	6 mm
S_{ar}	20 mm

* is only achieved in combination with a safety module

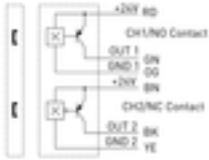
Omyly a technické změny vyhrazeny.



Bezpečnostní senzory HS Si 4

Ordering details

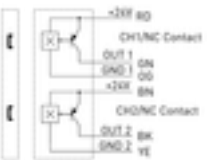
1 NC/1 NO contact



Typ
 HS Si 4 1Ö/1S - 2m
 HS Si 4 1Ö/1S - 5m
 HS Si 4 1Ö/1S - 10m

Číslo materi
 álu
 1188994
 1184464
 1215789

2 NC contacts



Typ
 HS Si 4 2Ö - 2m
 HS Si 4 2Ö - 5m
 HS Si 4 2Ö - 10m

Číslo materi
 álu
 1188997
 1188998
 na vyžádání

Aktuátory

Actuator MC 4



Typ
 Actuator MC 4

Číslo materi
 álu
 1181771

Accessories

SRM 21 RT2



Typ
 Safety relay module SRM 21 RT2

Číslo materi
 álu
 1179203



Bezpečnostní senzory HS Si 4

Accessories

SRM 21 Multi



Typ
Safety relay module SRM 21 Multi

Číslo materi
álu
1185607