



Wireless position switch

RF 95 D LR SW868

Material number: 1190517 (Material number old: 95921002)

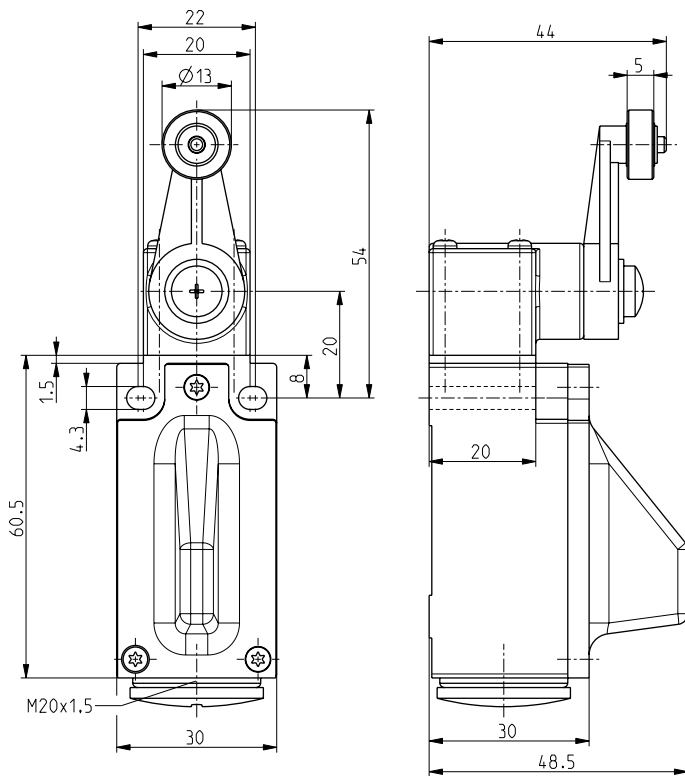
Features/Options:

- Thermoplastic enclosure
- Design to EN 50047
- sWave® wireless technology
- No power supply, no wiring and pipe laying required
- Easy programming of receiver
- Output signal can be individually configured at the receiver
- Actuator: Rocking lever D
- Lever angle adjustable in 10° steps
- Wear-resistant plastic roller
- Actuator can be repositioned by 4 x 90°

Notes

- With metal roller available on request

Dimensions



Technical data

| | |
|----------------------|---|
| Standards | EN 60947-5-1; EN 61000-6-2, -6-3, EN 61000-4-2, -4-20; EN 301 489-1; EN 301 489-3; EN 300 220-1; EN 300 220-2 |
| Enclosure | glass-fibre reinforced, shock-proof thermoplastic (PA 66), self-extinguishing UL 94-V0 |
| Cover | glass-fibre reinforced, shock-proof thermoplastic (PA 66), self-extinguishing UL 94-V0 |
| Tightening torque | mounting screw enclosure: max. 1.2 ... 1.3 Nm |
| Degree of protection | IP 67 to IEC/EN 60529 |
| Protocol | sWave® |
| Ambient temperature | -20 °C ... +65 °C |
| Operation cycles | approx. 12000 telegrams at repetitions/h |
| Voltage supply | Electrodynamic energy generator |
| Frequency | 868.3 MHz |
| Transmission power | < 25 mW |
| Data rate | 66 kbps |
| Channel bandwidth | 266 kHz |
| Wireless range | max. 450 m outside, max. 40 m inside |
| Mechanical life | > 1 million operations |
| Actuating time | min. 80 ms |
| Note | no status signal available |
| Weight | 65 g |



Wireless position switch

RF 95 D LR SW868

Material number: 1190517 (Material number old: 95921002)

Switching diagram

