



## Safety sensors BZ 16-03T IP67

Material number: 1355624

### Features/Options:

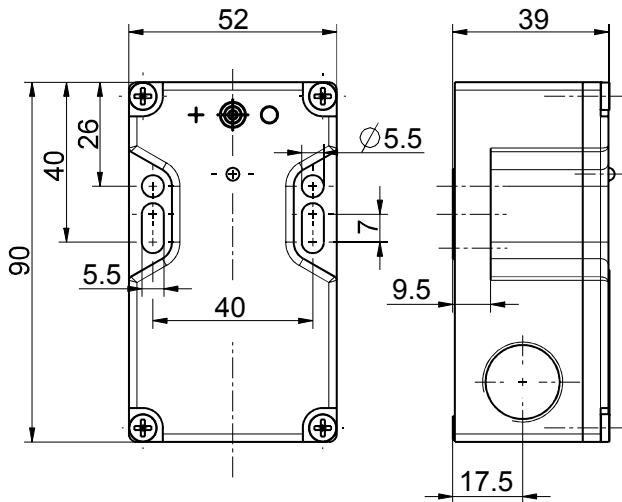
- Thermoplastic enclosure
- Long life
- Differential inputs: Induction / magnetic operating principle
- Internal monitoring, high manipulation protection
- Potential-free outputs
- Signalling contact

- Status LED
- 3 NC contacts
- Actuating plane: actuating from the top "T"
- Rated switching distance  $s_n = 12$  mm
- Wiring compartment

### Notes

- The actuator is not included in the delivery of the switches

### Dimensions



### Technical data

Applied standards	EN 61000-6-1, -2, -3, -4; EN 60947-5-2; EN 60947-5-3; EN ISO 14119; EN 60204-1; EN ISO 13849-1; EN 62061; 2004/108/EG
Enclosure	glass-fibre reinforced, shock-proof thermoplastic, self-extinguishing UL 94 V-0
Sensor type	type 4 interlocking device
Coding level	low coding
Tightening torque	Mounting screws of sensor: max. 2 Nm cover of sensor: max. 1.5 Nm actuator: max. 2 Nm
Switching distances	$s_n = 12$ mm (10 mm with flush mounting) $s_{ao} = 10$ mm (8 mm with flush mounting) $s_{ar} = 25$ mm (Minimum distance 2 mm for approach from side.)
Hysteresis	approx. 6 mm
Sideways tolerance	$\leq 3$ mm
Repeatability	$\pm 1$ mm
Safety-relevant data:	
EN ISO 13849-1	Performance Level PL e
DC/DC <sub>avg</sub>	96 %
Category	3
B <sub>10d</sub> (10 % load)	20 million



Safety sensors  
BZ 16-03T IP67  
Material number: 1355624

## Technical data

$T_M$	max. 20 years
MTTF <sub>d</sub>	100 years
EN 62061	SIL CL 3
PFH <sub>d</sub>	$\geq 4.29 \times 10^{-8}$ 1/h
Safety requirements n <sub>op</sub>	
h <sub>op</sub>	8 h/day
d <sub>op</sub>	220 days/year
t <sub>zyklus</sub>	20 s
Rated operating current/ voltage I <sub>e</sub> /U <sub>e</sub>	140 mA/24 VDC $\pm$ 15 % (reverse voltage protected); output contacts: max. 3 A/24 VAC/DC, min. 10 mA/5 VAC/DC; signalling contact: max. 1 A/24 VAC/DC, min. 100 $\mu$ A/100 mVDC
No-load supply current I <sub>0</sub>	$\leq$ 70 mA
Max. fuse rating	U <sub>e</sub> : 0.25 A (slow blow); output contacts: 4 A (gG/gN) incoming series-connected
Outputs	2 enabling paths (2 NC) 1 signalling contact (1 NC)
Switching voltage	max. 30 VAC/DC
Conditional short-circuit current	100 A
Utilisation category	AC-15; DC-13 (output contacts) AC-12; DC-12 (signalling contact)
Rated operating isolation voltage U <sub>i</sub>	250 VAC
Rated impulse withstand voltage U <sub>imp</sub>	1.5 kV
Voltage drop at I <sub>e</sub>	max. 0.6 V
Overvoltage category	III
Switching frequency	max. 1 Hz
Attendance delay t <sub>v</sub>	< 300 ms
Risk time	max. 165 ms
Degree of pollution	3
Degree of protection	IP 67 to IEC/EN 60529

Errors and omissions excepted.



Safety sensors  
 BZ 16-03T IP67  
 Material number: 1355624

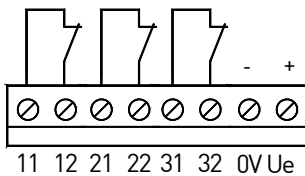
## Technical data

Ambient temperature	0 °C ... +55 °C
Storage and shipping temperature	-20 °C ... +70 °C
Mechanical life	50 mio. operations
Contact material	output contacts: AgSnO self-cleaning, positive-guided; signalling contact: AgNi, gold-plated
Contact resistance	output contacts: 100 mΩ in new condition; signalling contact: max. 30 mΩ
Connection	wiring compartment with socket screw clamps 8-pole
Cable entry	3 x M20 x 1.5
Cable cross-section	min. 0.14 mm <sup>2</sup> / AWG 28 max. 1.5 mm <sup>2</sup> / AWG 16

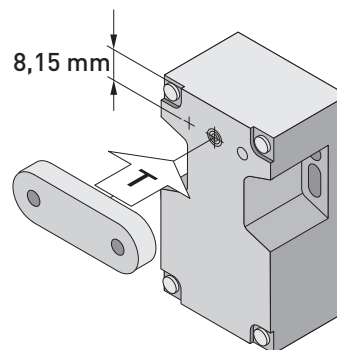
Approvals	
-----------	---

**Note**  
 The safety-related data are based on a load of 24 V / 0.1 A / DC-1 for the enabling paths. With higher load currents for the enabling paths and other requirement rates  $n_{op}$ , the safety-related data vary from the given data and can be provided on request.

## Contact diagram



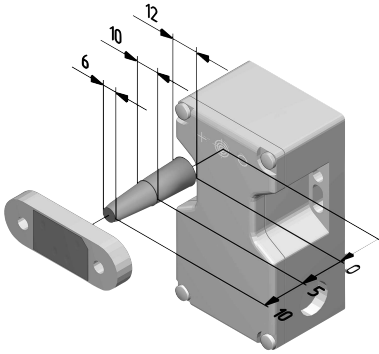
## Actuating planes





Safety sensors  
BZ 16-03T IP67  
Material number: 1355624

## Axial misalignment



## Approach from side

