



2-pedal medical foot switch VKF 2-MED

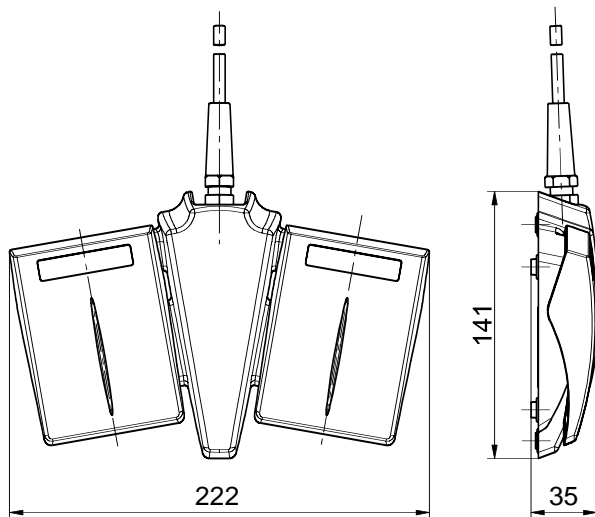
Features/Options:

- Affordable
- High mechanical stability
- Compact design
- Up to 2 switching functions per pedal
- Normally open or changeover contacts
- Waterproof: IPX8 (IEC 60529)

Notes

- Photo shows optional accessories

Dimensions



Technical data

Applied standards	IEC 60601-1
Pedal	shock-proof thermoplastic, UL 94 V-2
Housing	shock-proof thermoplastic, UL 94 V-0
Degree of protection	IP X8 to IEC/EN 60529
Switching elements	micro switch
Mechanical life	> 200 000 operations
Connection	3 m cable, other lengths optionally available
Switching voltage	max. 25 VAC / 60 VDC
Switch-on current	max. 1 A
Switching capacity	max. 30 VA