

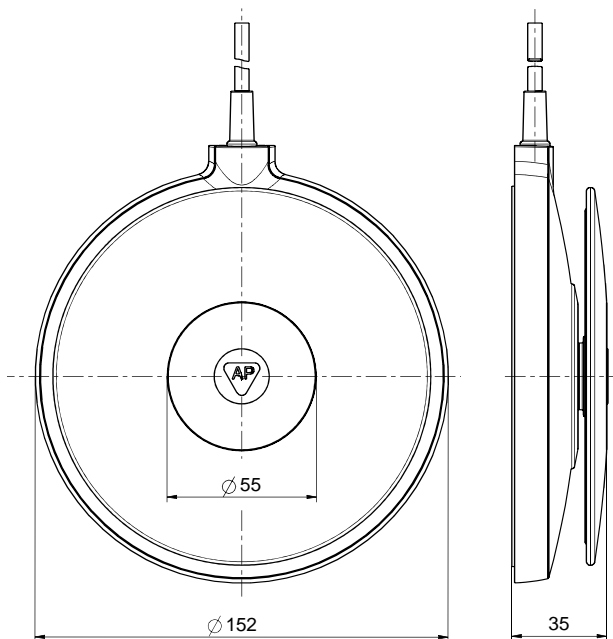


## 1-pedal medical foot switch RF-MED-2G

### Features/Options:

- Robust die-cast aluminium foot control
- Operable from all sides
- Powder coating
- Waterproof: IPX8 (IEC 60529)
- Digital output signals
- Different RAL colours available

### Dimensions



### Technical data

Applied standards	IEC 60601-1, ANSI/AAMI ES60601-1, IEC 60529
Switching plate	GK-Al alloy, RAL 7035
Enclosure	GD-Al alloy, RAL 7035
Degree of protection	IP X8 to IEC/EN 60529
Switching elements	micro switch
Switching system	1 – 2 NO contacts / 1 - 2 change-over contacts
Mechanical life	> 1 million operations
Connection	2 m cable, other lengths optionally available
Switching voltage	max. 25 VAC / 60 VDC
Switch-on current	max. 1 A
Switching capacity	max. 30 VA

Errors and omissions excepted.