

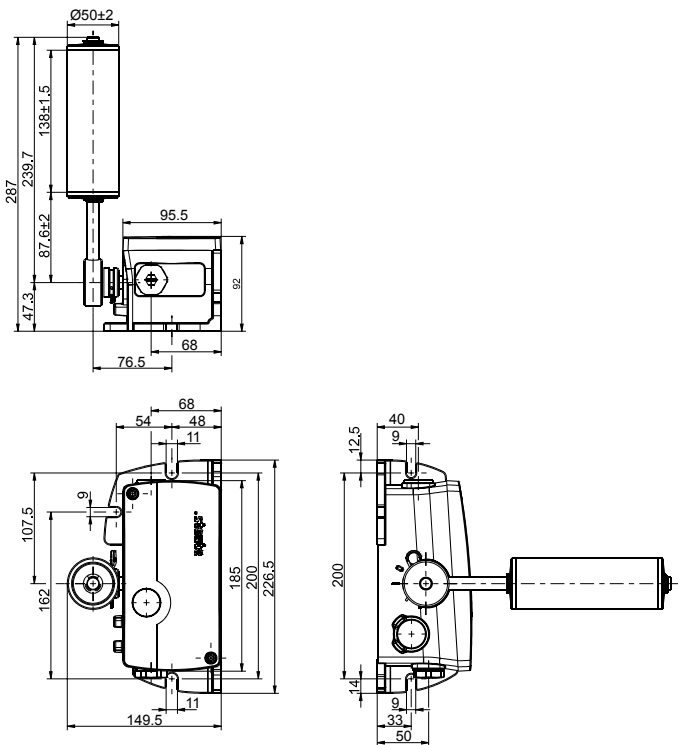


Belt-alignment switch ZS 92 SR 22 P -40°C ... +85°C IP66/67 Extreme Material number: 1452080

Features/Options:

- Temperature resistant from -40 °C to +85 °C
- High degree of protection IP 66 / IP 67
- Corrosion-resistant aluminium enclosure
- Screws and belt-alignment roller made of stainless steel
- With staggered contacts, adjustable from 5° to 35°
- Belt alignment lever adjustable in 12° steps using a self-locking mechanism
- Back and base mounting possibility

Dimensions



Technical data

Applied standards	EN 60947-5-1
Enclosure	corrosion-resistant aluminium, powdercoated, passivated, shock-proof, anthracite grey, similar to RAL 7016
Cover	corrosion-resistant aluminium, powdercoated, passivated, shock-proof, signal yellow, similar to RAL 1003
Tightening torque	cover screws: max. 2.5 Nm
Degree of protection	IP 66/67 to IEC/EN 60529
Contact material	silver
Switching elements	2 NC/2 NO contacts, type Zb
Switching system	snap action, positive break NC contacts \ominus
Switching points	adjustable 5° to 35°; pre-adjustment setting 2 x 10°
Connection	screw connection terminals
Cable cross-section	max. 2.5 mm ² (incl. conductor ferrules)
Cable entry	2 x M25 x 1.5
B _{10d} (10 % load)	2 million
T _M	max. 20 years
Rated impulse withstand voltage U _{imp}	6 kV
Rated operating isolation voltage U _i	400 V
Conventional thermal current I _{the}	4 A
Conditional short-circuit current	1100 A
Rated operating current/voltage I _e /U _e	4 A/400 VAC; 0.25 A/250 VDC; 0.55 A/125 VDC; 2.5 A/48 VDC; 3 A/24 VDC

Errors and omissions excepted.

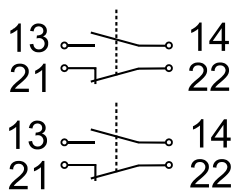


Belt-alignment switch ZS 92 SR 22 P -40°C ... +85°C IP66/67 Extreme Material number: 1452080

Technical data

Utilisation category	AC-15; DC-13
Max. fuse rating	4 A gG/gN fuse
Mechanical life	> 1 000 000 operations at max. 45° operating angle
Operation cycles	max. 600/h
Ambient temperature	-40 °C ... +85 °C
Degree of pollution	3
Approvals	ERC

Contact diagram



Switching diagram

